

Media: air – water – gas – liquid - vacuum
 Pressure range: 0 to 8 Bar max
 Media temperature: 100°C max
 Ambient temperature: -10°C to +40°C max
 Media viscosity: 40 centistokes max
 Mounting: any position (M5 tapped body)
 Weight (including coil) 100 g
 Opening / Closing time 6 – 20 mSec Max

2/2 Polypropylene

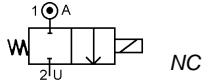
1/4

NORMALLY CLOSED

2 WAY DIRECT

0 – 8 Bar

TYPE GC2



PRESSURE

Ø Port BSP	Ø Orifice (mm)	Flow Kv Ltr/Min	Pressure Rating (Bar) ΔP			Seals	Part Number
			Min	Max AC	Max DC		
1/4	2.5	3.5	0	8.1	6.8	EPDM	GC2 + voltage

OPTIONS

IP54 Coil flying lead (45cm)
 Buna-N or Viton
 Other custom made options and voltages available upon request

ELECTRICAL DATA

Voltage (-10% + 10%) Continuous duty 100%		Coil	Power Consumption		Insulation class	Enclosure	Electrical connections
			Inrush	Holding			
~	12 - 24 - 110 - 230 (50 or 60 Hz)	GC	11.2 VA	6.8 VA	B 130°C	IP54	45cm lead wires
=	12 - 24 (DC)		6 W				

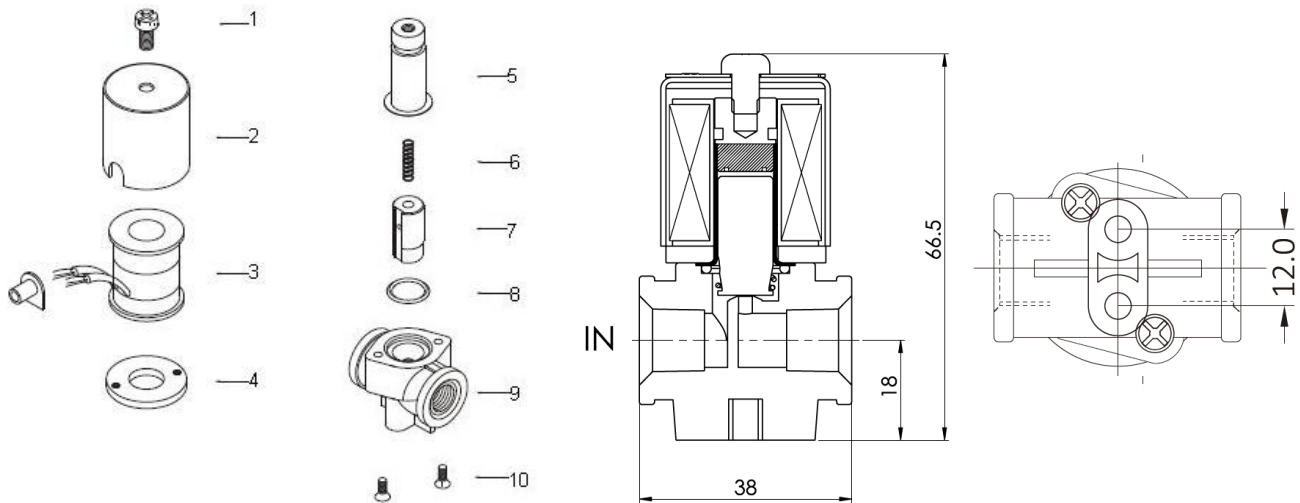
CONSTRUCTION

Body: Polypropylene - glass filled
 Tube and internal parts: head & plunger 430Fr Stainless steel
 Seals and gaskets: EPDM

REPAIR KIT

Coil	GC + voltage
Complete plunger + O' rings	SPGC2-ARMATURE

OVERALL DIMENSIONS



No.	Description	Material
1.	Coil fixing screw	SWRM
2.	Coil cover	SPC
3.	Solenoid Coil	B Class
4.	Retainer	SPC
5.	Core Tube	SUS304 KM-31
6.	Armature Spring	SUS 304
7.	Armature	430F
8.	O Ring	EPDM
9.	Valve Body	Nylon 66
10.	Retaining Bolt	SUS 304