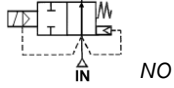


Media: air – water – light oil - steam
 Pressure range: 0.5 to 20 Bar max
 Media temperature: +180°C Max
 Ambient temperature: -20° to +60°C
 Media viscosity: 50 centistokes max
 Mounting: coil upright
 Opening / Closing 200 mSec Max



2/2 Steam

1/8 – 2

NORMALLY OPEN

2 WAY DIRECT/ SERVO

0 – 20 Bar

TYPE NOSA



PRESSURE

Ø Port BSP	Ø Orifice (mm)	Flow Kv Ltr/ min	Coil	Pressure Rating (Bar) ΔP			Part Number
				Min	Max Steam	Max Air/ Water	
1/8	3	5.2	WPG1	0	10	10	NOSA6A + voltage
1/4				0	10	10	NOSA8A + voltage
3/8	4	9.7	WPG2	0	10	10	NOSA10A + voltage
	15	75		0.5	12	20	NOSA14 + voltage
0.5				12	20	NOSA15 + voltage	
1/2	20	155		0.5	12	20	NOSA20 + voltage
3/4				0.5	12	20	NOSA25 + voltage
1	25	220		0.5	12	20	NOSA35 + voltage
1 1/4	35	433		0.5	12	20	NOSA40 + voltage
1 1/2	35	433		0.5	12	20	NOSA50 + voltage
2	50	800		0.5	12	20	NOSA50 + voltage

OPTIONS

IP67 (EN60529:1991+A1:2000) UL + CSA Approved Coil & IP65 LED Connector PG11 DIN43650A
 NPT Thread
 WPA3C IP65 (100% Rated N rated coil with 30cm flying leads 33.6 Watts 57VA)
 Other custom made options available upon request

ELECTRICAL DATA

Voltage (-10% + 10%) Continuous duty 90%	Coil	Power Consumption		Insulation class	Enclosure	Electrical connections
		Inrush	Holding			
~ 24 - 110 - 230 (50 or 60 Hz)	WPG1	11.2VA	8.2VA	H 180°C	IP 65 With Connector	3 spades DIN 43650 DIN 40050 VDE0110
= 12 - 24 - 48 (DC)		12 Watts				
= 12 - 24 - 48 (DC)	WPG2	18.7VA	15.3VA			
~ 24 - 110 - 230 (50 or 60 Hz)		18 Watts				

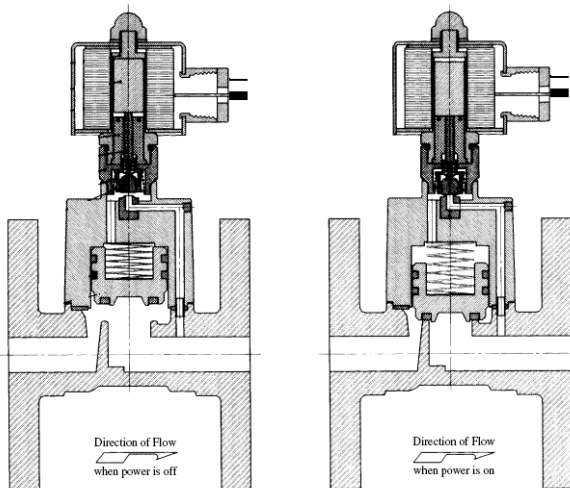
CONSTRUCTION

Body: Brass
 Tube and internal parts: Stainless steel
 Seals and gaskets: PTFE
 Moulded coil: Resin

REPAIR KIT

Coil	Coil size (WPG1 or WPG2) + voltage
Piston	SP + Valve Part Number -PISTON
Armature assembly	SP + Valve Part Number -ARMATURE

OVERALL DIMENSIONS



Model	A	B	C	D	E	F	G	H	Kg
NOSA6	41	19	86	41	40	-	1/8	10.5	0.35
NOSA8	41	19	86	41	40	-	1/4	10.5	0.4
NOSA10	50	25	91	52	45	-	3/8	11.7	0.5
NOSA14	75	52	158	40	65	38	3/8	15	1.65
NOSA15	75	52	158	40	65	38	1/2	15	1.63
NOSA20	85	60	165	40	65	38	3/4	18	2.13
NOSA25	100	70	172	40	65	38	1	23	2.35
NOSA35	120	90	192	40	65	38	1 1/4	33	3.85
NOSA40	120	90	192	40	65	38	1 1/2	33	3.3
NOSA50	150	120	216	40	65	38	2	40.5	7.35

