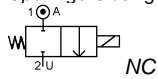


Media: air – water – gas – light oil – vacuum  
 Pressure range: 0 to 30 Bar max  
 Media temperature: 120°C max  
 Ambient temperature: -10°C to +50°C max  
 Media viscosity: 40 centistokes max  
 Mounting: any position  
 Weight (including coil) 280 g  
 Opening / Closing time: 10-20 mSec Max



# 2/2 Stainless

## 1/8 – 1/4

### NORMALLY CLOSED

### 2 WAY DIRECT ACTING

## 0 – 30 Bar

# TYPE JA



### PRESSURE

Ø Port BSPT	Ø Orifice (mm)	Flow Kv Ltr/Min	Min	Pressure Rating (Bar) ΔP				Seals	Max Media Temp °C	Part Number
				10 Watt Coil		14-20 Watt Coil				
				Max AC	Max DC	Max AC	Max DC			
1/8	1.6	1.43	0	20	15	30	20	NBR EPDM FKM	50 120 80	JA1BN + voltage + coil JA1BE + voltage + coil JA1BV + voltage + coil
	2.4	3.0	0	10	9	20	15	NBR EPDM FKM	50 120 80	JA1CN + voltage + coil JA1CE + voltage + coil JA1CV + voltage + coil
	3.2	4.71	0	7	6	15	10	NBR EPDM FKM	50 120 80	JA1DN + voltage + coil JA1DE + voltage + coil JA1DV + voltage + coil
	4	6.14	0	5	4	10	8	NBR EPDM FKM	50 120 80	JA1EN + voltage + coil JA1EE + voltage + coil JA1EV + voltage + coil
1/4	1.6	1.43	0	20	15	30	20	NBR EPDM FKM	50 120 80	JA2BN + voltage + coil JA2BE + voltage + coil JA2BV + voltage + coil
	2.4	3.0	0	10	9	20	15	NBR EPDM FKM	50 120 80	JA2CN + voltage + coil JA2CE + voltage + coil JA2CV + voltage + coil
	3.2	4.71	0	7	6	15	10	NBR EPDM FKM	50 120 80	JA2DN + voltage + coil JA2DE + voltage + coil JA2DV + voltage + coil
	4	6.14	0	5	4	10	8	NBR EPDM FKM	50 120 80	JA2EN + voltage + coil JA2EE + voltage + coil JA2EV + voltage + coil
	5	7.1	0	4	3	6	5	NBR EPDM FKM	50 120 80	JA2FN + voltage + coil JA2FE + voltage + coil JA2FV + voltage + coil

### OPTIONS

IP65 Coil & Connector PG9 – DIN 43650 A  
 NPT and BSPT Thread  
 31400 High Power 14 – 20 Watt coil  
 PTFE Seals

### ELECTRICAL DATA

Voltage (-10% + 15%) Continuous duty 100%		Coil	Power Consumption		Insulation class	Enclosure	Electrical connections
			Inrush	Holding			
~ 24 - 48 - 110 - 230 - 415 (50 or 60 Hz)	= 12 - 24 - 48 (DC)	11630	26 VA	14 VA	F 155°C	IP 65 with connector	3 spades DIN 43650 DIN 40050 VDE 0110
~ 24 - 48 - 110 - 230 - 415 (50 or 60 Hz)			10 Watts				
= 12 - 24 - 48 - 80 - 190 (DC)	31400	48VA	26VA				
		14 – 20 Watts					

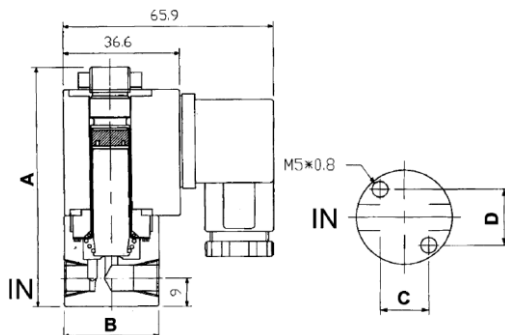
### CONSTRUCTION

Body: AISI303 Stainless steel  
 Tube and internal parts: AISI304 stainless steel, Head & plunger: AISI 430Fr Stainless steel  
 Seals and gaskets: FKM (Optional EPDM & NBR), Moulded coil: Resin

### REPAIR KIT

Coil	Coil size (11630 or 31400) + voltage
Armature + seal	SP + Valve Part Number -ARMATURE

### OVERALL DIMENSIONS



Port	A	B	C	D
1/8	76	30	15.2	17.8
1/4	77	35	16	22

Port	A	B	C	D
1/8	76	30	15.2	17.8
1/4	77	35	16	22