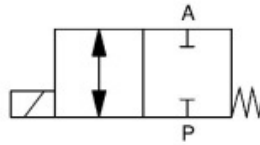
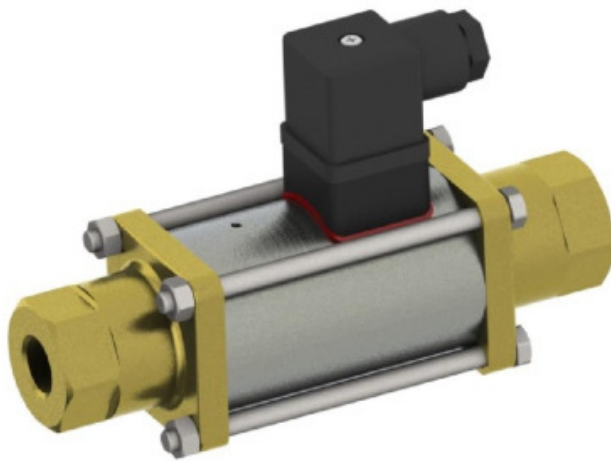
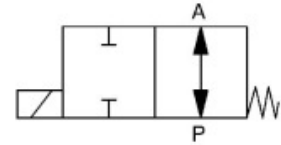


**direct acting**

function A: NC (normally closed)



function B: NO (normally open)



<b>diameter</b>	DN 10 – 32
<b>pressure range</b>	0 – max. 20bar backpressure leakproof up to max. 16bar
<b>body material</b>	threaded version: brass, AISI 303, AISI 316
<b>seal material</b>	static: FKM dynamic: PTFE seat seal: FKM
<b>temperature</b>	media: -10 up to +100 °C ambient: -10 up to +50 °C
<b>connection</b>	G1/4 – G1 1/2
<b>flow direction</b>	P → A max. 20bar A → P max. 16bar
<b>electr. connection</b>	plug acc. DIN EN 175301-803 form A, a.c. operation with rectifier integrated
<b>nominal voltage</b>	230V 50Hz, 24V DC, special voltages
<b>voltage tolerance</b>	+ / - 10% acc. VDE 0580
<b>duty factor</b>	100% ED
<b>protection class</b>	IP 65 with plug mounted
<b>mounting</b>	in any position

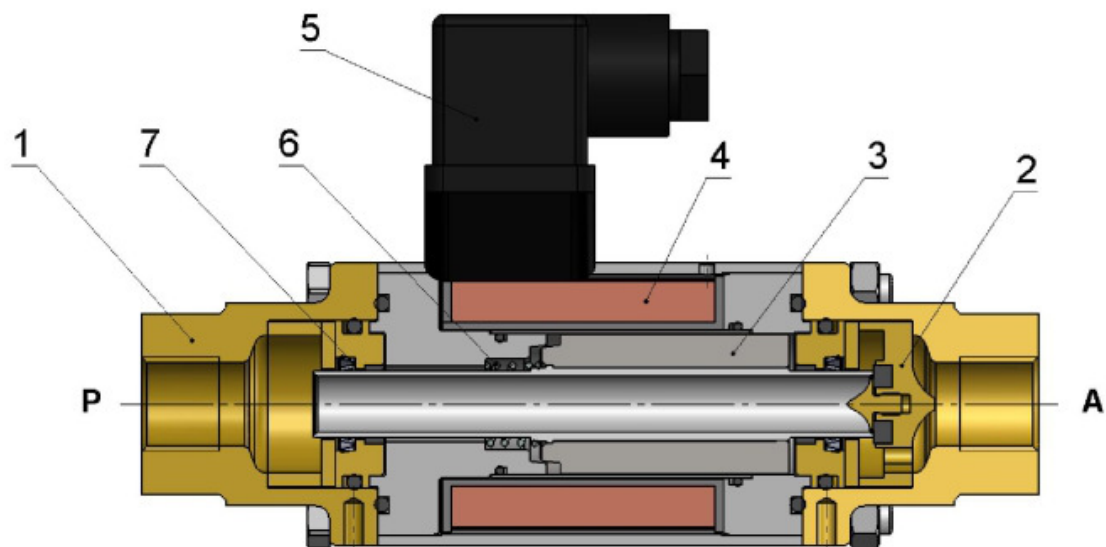
# Coax-valve.com

## 2/2-way coaxial valve

## Type 269

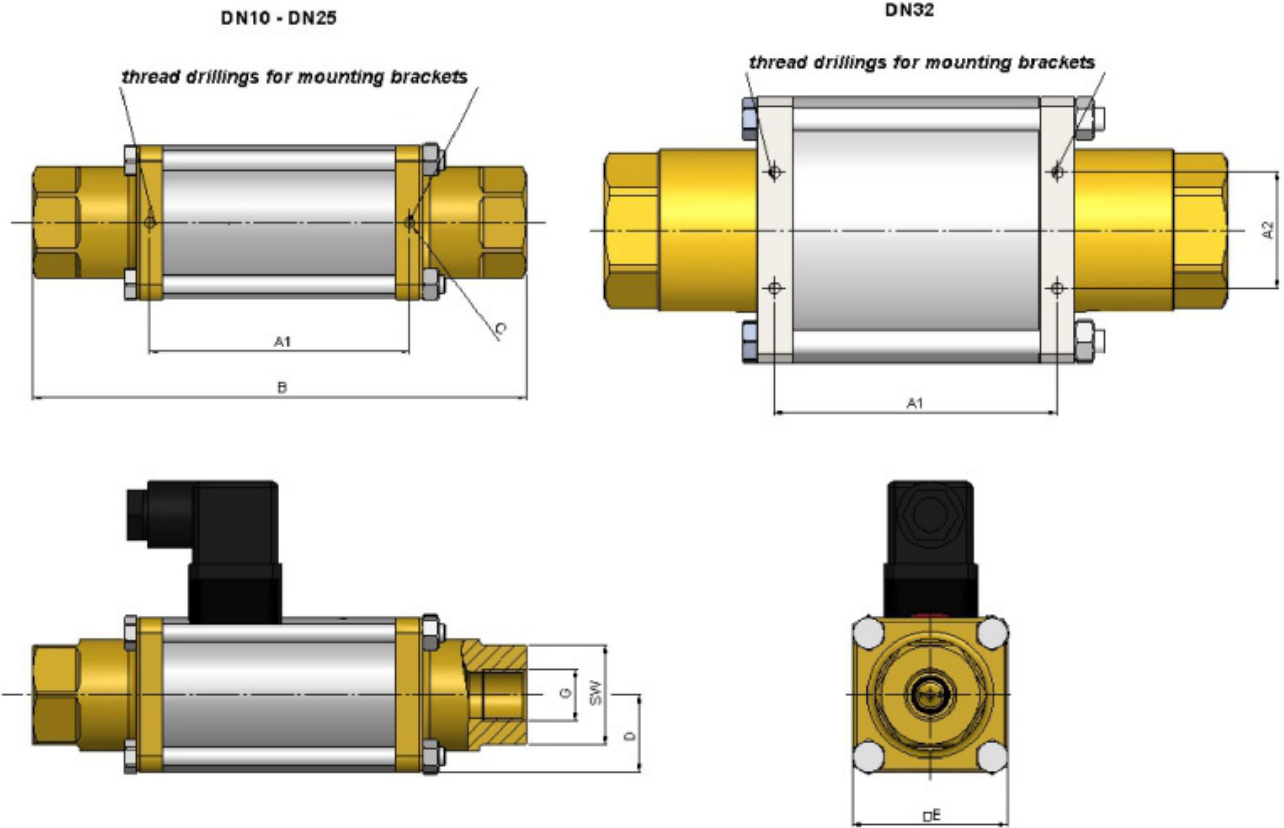
DN [mm]	pressure range [bar]	connection	flow rate [m <sup>3</sup> /h]	power consumption [W]		weight – brass [kg]
				24V DC	230V 50Hz	
10	0 – 20	G1/4, G3/8, G1/2	2,5	25	29	1,7
15	0 – 20	G3/8, G1/2, G3/4	5,2	30	32	3,6
20	0 – 20	G1/2, G3/4, G1	7,0	34	42	5,4
25	0 – 20	G3/4, G1, G1 1/4	12,3	51	60	7,1
32	0 – 20	G1, G1 1/4, G1 1/2	20,0	73	76	12,6

### sectional drawing



pos.	quantity	description
1	2	adapter fitting
2	1	valve seat
3	1	plunger
4	1	solenoid
5	1	plug
6	1	spring
7	2	PTFE-rod seal

dimension drawing



DN [mm]	G	SW	A1 [mm]	A2 [mm]	B [mm]	C	D [mm]	E [mm]
10	1/4, 3/8, 1/2	32	84	-	159,5	M4	25	50
15	3/8, 1/2, 3/4	41	100	-	184	M5	35	70
20	1/2, 3/4, 1	46	108	-	215	M5	40	80
25	3/4, 1, 1 1/4	55	121	-	246	M5	45	90
32	1, 1 1/4, 1 1/2	60	122	50	269	M6	57,5	115

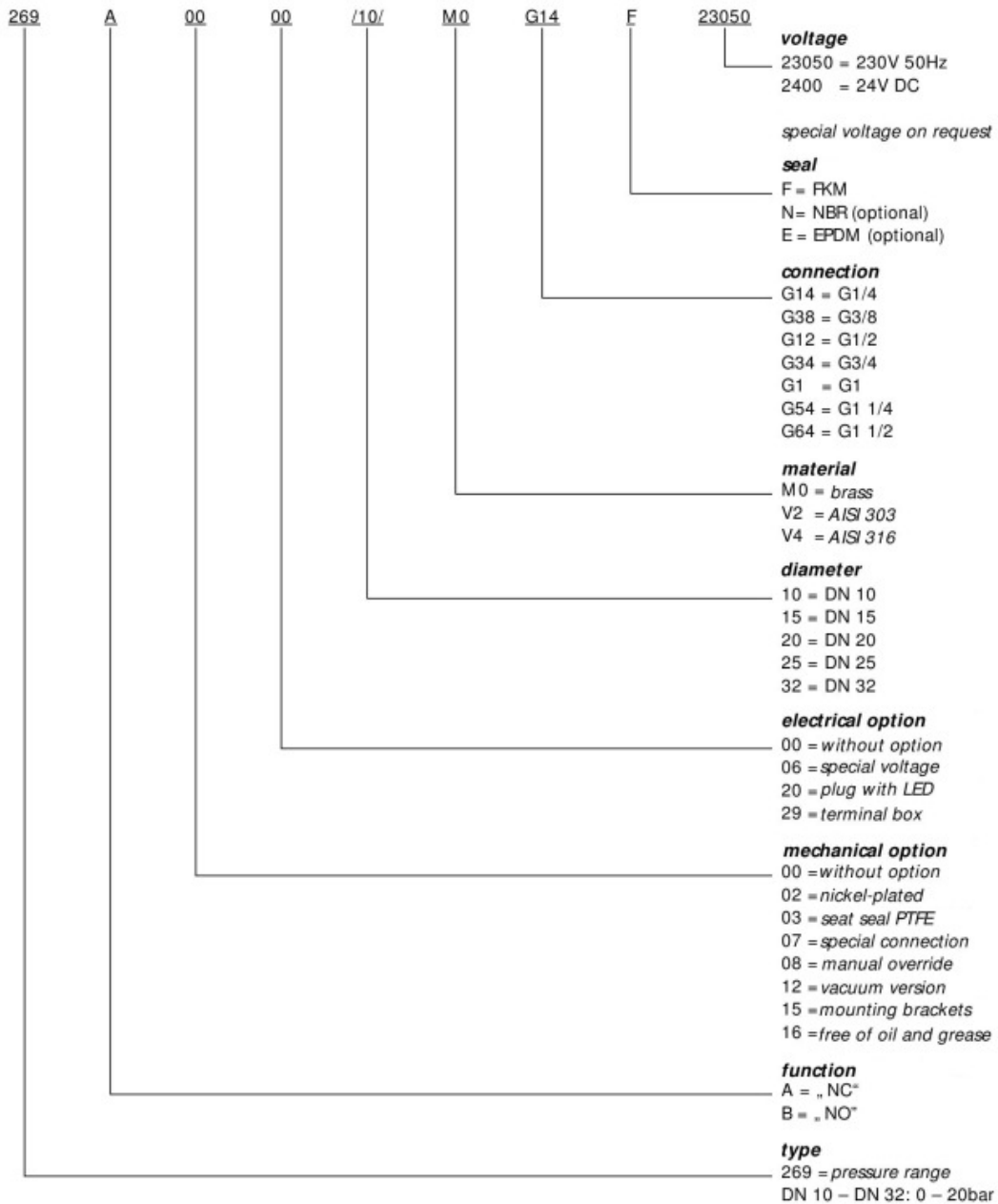
# Coax-valve.com

2/2-way coaxial valve

Type 269

## type code

structure of the order specification:

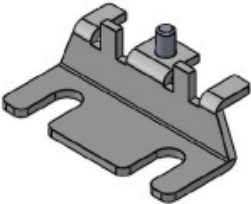
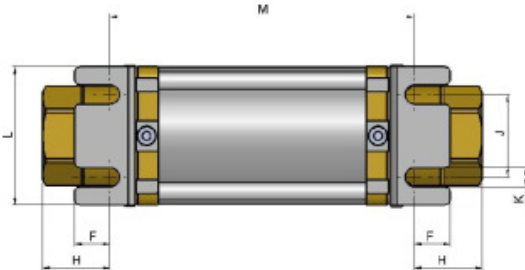
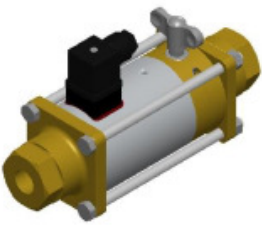

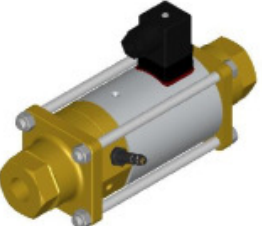
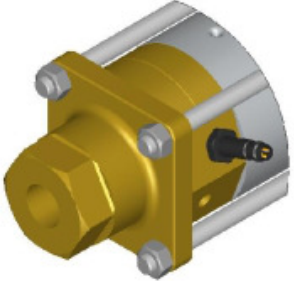
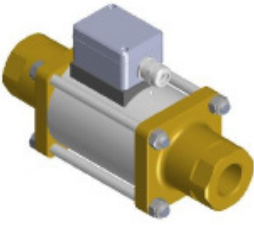
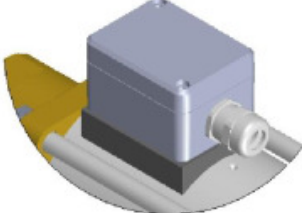


# Coax-valve.com

2/2-way coaxial valve

Type 269


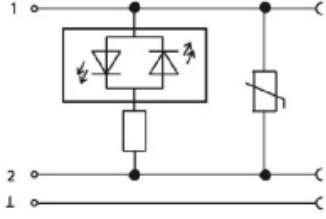

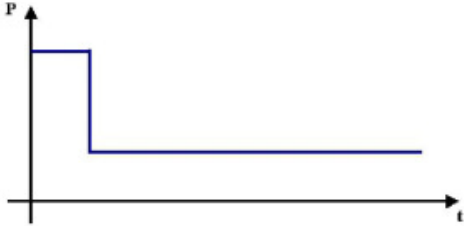

**accessories**

	<p>mounting brackets</p> <p>mechanical option = 15</p>	 <table border="1" data-bbox="821 806 1428 1041"> <thead> <tr> <th>DN</th> <th>F</th> <th>H</th> <th>J</th> <th>K</th> <th>L</th> <th>M</th> </tr> <tr> <th>[mm]</th> <th>[mm]</th> <th>[mm]</th> <th>[mm]</th> <th>[mm]</th> <th>[mm]</th> <th>[mm]</th> </tr> </thead> <tbody> <tr> <td>10</td> <td>10</td> <td>23,5</td> <td>30</td> <td>7</td> <td>50</td> <td>113</td> </tr> <tr> <td>15</td> <td>10,5</td> <td>23,5</td> <td>45</td> <td>7</td> <td>70</td> <td>139</td> </tr> <tr> <td>20</td> <td>15,3</td> <td>33,5</td> <td>50</td> <td>7</td> <td>80</td> <td>149</td> </tr> <tr> <td>25</td> <td>16</td> <td>34</td> <td>60</td> <td>8,5</td> <td>90</td> <td>178</td> </tr> <tr> <td>32</td> <td>6</td> <td>37</td> <td>78</td> <td>6,5</td> <td>115</td> <td>195</td> </tr> </tbody> </table>	DN	F	H	J	K	L	M	[mm]	[mm]	[mm]	[mm]	[mm]	[mm]	[mm]	10	10	23,5	30	7	50	113	15	10,5	23,5	45	7	70	139	20	15,3	33,5	50	7	80	149	25	16	34	60	8,5	90	178	32	6	37	78	6,5	115	195
DN	F	H	J	K	L	M																																													
[mm]	[mm]	[mm]	[mm]	[mm]	[mm]	[mm]																																													
10	10	23,5	30	7	50	113																																													
15	10,5	23,5	45	7	70	139																																													
20	15,3	33,5	50	7	80	149																																													
25	16	34	60	8,5	90	178																																													
32	6	37	78	6,5	115	195																																													
	<p>manual override</p> <p>mechanical option = 08</p>																																																		
	<p>position indication</p> <p>electrical option = 19</p>																																																		
	<p>terminal box</p> <p>protection class: IP 65</p> <p>PG11-fitting</p> <p>electrical option = 29</p>																																																		

# Coaxial-Valves.com

2/2-way coaxial valve

Type 269

	<p>plug with LED electrical option = 20</p>	
	<p><b>24V DC</b> plug with power reduction form A electrical option = 07</p>	
	<p>plug with M12x1</p>	

We gladly coordinate further options and accessories according to your requirements.