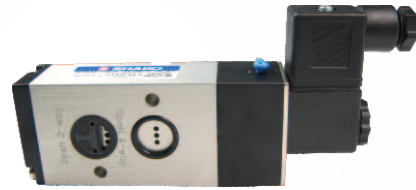


Features

- * Big sectional area and flow rate.
- * The switch gasket attached on the valves the valve switching from 5/2 way to 3/2 way.
- * The mounting holes on the valve is identical to ISO standard for easy installation on the single or double acting actuator of ball valve.
- * Lock able manual override for easy operation.
- * Anodized aluminum body and strict quality control provide a long durability.
- * Coil nut is available, please refer to page 7-4.
- * Ex-proof coil is available, please refer to page 7-8.



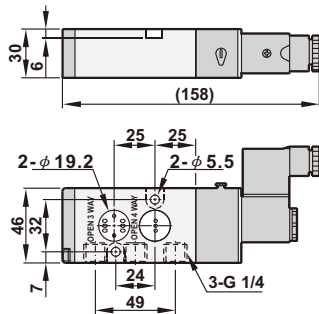
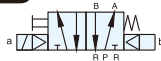
How to order

CY525	02	N	S	2	LED	E1	
Namur valve	Port size	Thread	Solenoid		Voltage	LED	Coil type
5/2 & 3/2 way	02 1/4"	Blank G N NPT R Rc	S Single solenoid D Double solenoid	1 110VAC 2 220VAC 9 24VDC	Blank (W/O LED)	Blank F Lead wire E1 EX-proof 22mm width E2 EX-proof 30mm width E3 EX-proof CSA standard	

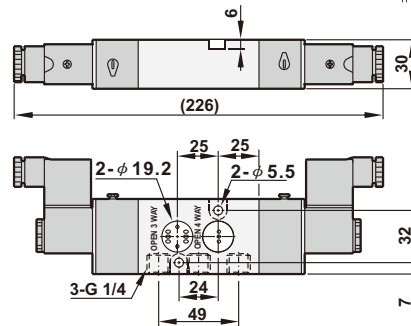
Dimensions

* Please refer to page P7-8 for the details of ex-proof coil. ▶

CY525-02-S



CY525-02-D

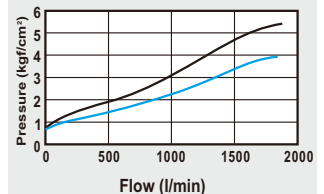


Specifications

Model	CY525-02-S	CY525-02-D
Port size	1/4"	
Body material	Aluminum alloy	
Fluid	Compressed air	
Effective area	35mm ²	
Acting	Internal pilot	
Operating pressure range	1.5~8 kgf/cm ²	
Proof pressure	9.99 kgf/cm ²	
Ambient temperature	-10℃ ~ 50℃	
Duty cycle	100% ED	
Coil type	DIN (Standard)	
Protection class	IP65 (DIN 40 050)	
Insulation class	F	
Voltage tolerance	±10%	
Standard voltage	220VAC, 110VAC, 24VDC (The other voltage is optional)	
Net weight	305g	390g

Flow chart

Model: CY525-02-S



Model: CY525-02-D

