

Features

1. Pilot acting for low starting pressure.
2. Large flow rate and high working pressure.
3. Quick response.
4. Stainless steel stem provides exceptional durability.
5. Flange type is available for JIS 10K, ANSI 150LB and PN16.
6. Ex-proof coil T4 as optional accessory, please refer to page 5-9.
7. Timer for setting on/off time as optional accessory.
8. CE conformity for all series.
9. Coil nut is available, please refer to page 5-3.

How to order

PU225A	N	V	F	-	03	N	-	S1	L	E	
Brass Assisted lift	Acting style Blank : Normally closed N : Normally open	Diaphragm Blank : NBR V : VITON E : EPDM H : HNBR	Flange type F : 10K F3 : 150LB F4 : PN16		Port size 03 : 3/8" 04 : 1/2" 06 : 3/4" 08 : 1" 12 : 1 1/4" 14 : 1 1/2" 20 : 2"	Thread Blank : G N : NPT R : Rc		Voltage S1 : 110VAC S2 : 220VAC S6 : 24VAC S7 : 12VDC S9 : 24VDC	Led Blank : W/O LED L : W/I LED		Ex-Proof coil Blank : Standard E : EX-proof coil

Specifications

Model	PU225A-03	PU225A-04	PU225A-06	PU225A-08	PU225A-12	PU225A-14	PU225A-20
Port size	3/8"	1/2"	3/4"	1"	1 1/4"	1 1/2"	2"
Fluid	Compressed air (light oil, water)						
A series orifice	13mm		25mm		38mm		50mm
Effective area	88mm ²		230mm ²		404mm ²	552mm ²	883mm ²
Acting	Pilot acting						
Construction	Diaphragm						
Operating pressure range	0.5~10kgf/cm ² (0.5~10.0Bar)						
Proof pressure	15 kgf/cm ² (15.0Bar)						
Body / Flange material	Forged Brass / SS41						
Fluid temperature	-10℃ ~ 90℃						
Ambient temperature	-10℃ ~ 60℃						
Installation	Horizontal						
Duty cycle	100% ED						
Coil type	DIN						
Protection class	IP65 (DIN 40 050)						
Insulation	F						
Voltage tolerance	±10%						
Standard voltage	220VAC, 110VAC, 24VDC, the other voltage is optional						
Power consumption	Normally closed AC110V : 17.6VA, AC220V : 18.1VA, DC : 15W ; Normally open AC : 17.8VA, DC : 15W						
Net weight	775g		1550g		2820g		4665g

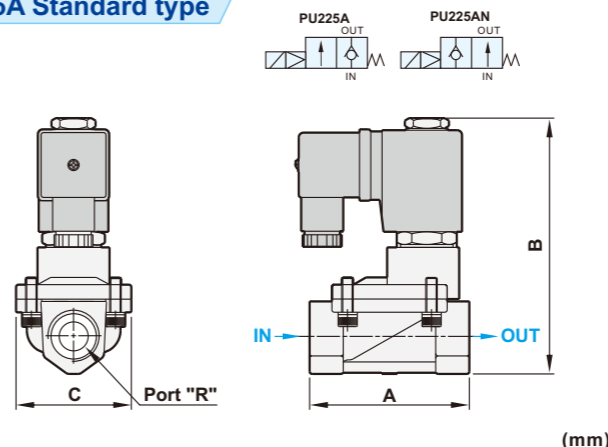


Seal material selection guide

Seal	Temperature range	Suitable fluid	Unsuitable fluid
NBR	-15℃ ~ 80℃	Air, Water, Neutral gases, Mineral oil	Fuel oil, Gasoline and Hi-test gasoline, Diesel fuel
HNBR	-40℃ ~ 150℃	Air, Water, Gear oil, Engine oil	Pharmaceutical liquid, Gasoline and Hi-test gasoline, Light oil
VITON	-10℃ ~ 180℃	Fuel oil, Gasoline and Hi-test gasoline, Diesel fuel	Hot water, Steam, Brake oil (ATE Blue)
EPDM	-5℃ ~ 130℃	Hot water, Detergent liquid	Mineral oil, Gasoline

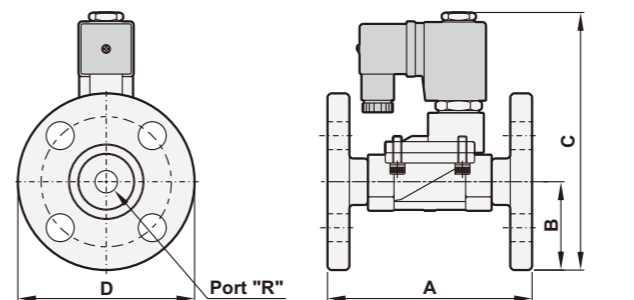
Dimensions

PU225A Standard type



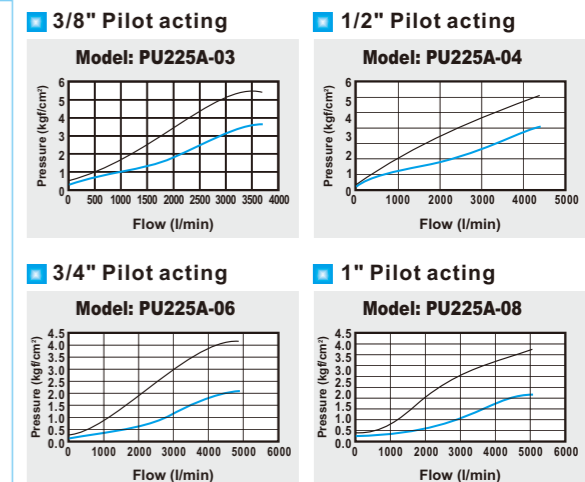
Model	PU225A-03	PU225A-04	PU225A-06	PU225A-08	PU225A-12	PU225A-14	PU225A-20
R	3/8"	1/2"	3/4"	1"	1 1/4"	1 1/2"	2"
A	66.5	66.5	96	96	131.5	131.5	160
B	106.5	106.5	126	126	145.5	145.5	160
C	48.5	48	70.7	70.7	96	96	112

PU225A Flange type (10K)



Model	PU225AF-03	PU225AF-04	PU225AF-06	PU225AF-08	PU225AF-12	PU225AF-14	PU225AF-20
R	3/8"	1/2"	3/4"	1"	1 1/4"	1 1/2"	2"
A	110	110	145	150	180	180	210
B	45	47.5	50	62.5	67.5	70	77.5
C	136	138.5	153	165.5	173	182.5	210
D	90	95	100	125	135	140	155

Flow chart



Explosion

