

### Features

1. Specially for high pressure 0.5~50bar.
2. Large flow rate.
3. Quick response.
4. Ex-proof coil T4 as optional accessory, please refer to page 5-9.
5. Timer for setting on/off time as optional accessory.
6. Coil nut is available, please refer to page 5-3.



Patent number in Taiwan : M391595  
Patent number in US. : GB2480100

### How to order

<b>PU225X</b>	<b>-</b>	<b>03</b>	<b>N</b>	<b>-</b>	<b>S1</b>	<b>L</b>	<b>E</b>
<b>Brass</b> <b>50 bar high pressure</b> <b>Pilot acting</b>	<b>Port size</b>	<b>Thread</b>	<b>Voltage</b>		<b>Led</b>	<b>Ex-Proof coil</b>	
	03 : 3/8"	Blank : G	S1 : 110VAC		Blank : W/O LED	Blank : Standard	
	04 : 1/2"	N : NPT	S2 : 220VAC		L : W/I LED	E : EX-proof coil	
	06 : 3/4"	R : Rc	S6 : 24VAC				
	08 : 1"		S7 : 12VDC				
			S9 : 24VDC				

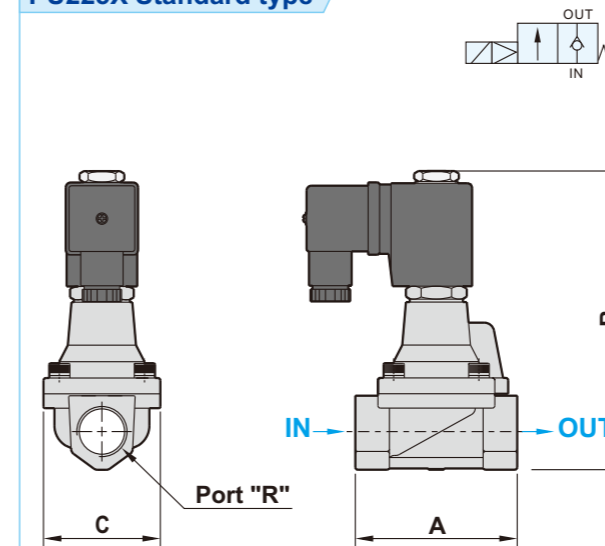
\* For the flange type, please contact our sales.

### Specifications

Model	PU225X-03	PU225X-04	PU225X-06	PU225X-08
Port size	3/8"	1/2"	3/4"	1"
Fluid	Compressed air, water			
Orifice	13mm		25mm	
CV value	4.5		12	
Effective area	88mm <sup>2</sup>		230mm <sup>2</sup>	
Acting	Pilot acting			
Construction	Piston			
Operating pressure range	0.5 ~ 50.0 kgf/cm <sup>2</sup> (0.5 ~ 50.0Bar)			
Proof pressure	76.5 kgf/cm <sup>2</sup> (75.0Bar)			
Body material	Forged Brass			
Piston ring	SUS 304			
Fluid temperature	-10°C ~ 90°C			
Ambient temperature	-10°C ~ 60°C			
Installation	Horizontal			
Duty cycle	100% ED			
Coil type	DIN			
Protection class	IP65 (DIN 40 050)			
Insulation class	F			
Voltage tolerance	±10%			
Standard voltage	220VAC, 110VAC, 24VDC, the other voltage is optional			
Power consumption	AC110V:17.6VA, AC220C:18.1VA, DC: 15W			
Net weight	860g	840g	1800g	1750g

### Dimensions

#### PU225X Standard type



	(mm)			
Model	PU225X-03	PU225X-04	PU225X-06	PU225X-08
R	3/8"	1/2"	3/4"	1"
A	66.5	66.5	96	96
B	125	125	151.5	151.5
C	48.5	48.5	70	70

### Explosion

