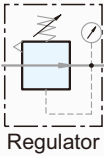


Symbol



Features

- * For high pressure use, corrosion and chemical resistance.
- * Good performance in chemically working environments and outdoor facility.
- * Suitable for semi-conductor industry.
- * Large flow rate and effectively removes water and particle.
- * Accurate and sensitive pressure setting.
- * Light weight, compact size for space saving.



How to order

SSR200

02

N

Stainless steel SUS316 Miniature

Port size

Thread

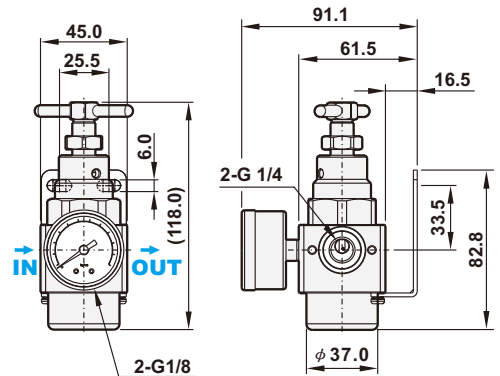
SSR200 Miniature Regulator

02 1/4"

Blank	G
N	NPT
R	Rc

Dimensions

SSR200



Specifications

Model	SSR200
Port size	1/4"
Fluid	Compressed air
Regulator construction	Piston
Body material	Stainless steel SUS316
Pressure gauge material	Case: Stainless steel SUS304, Thread: Stainless steel SUS316
Operating pressure range	0.5 ~ 20 kgf/cm ²
Proof pressure	30 kgf/cm ²
Max. flow rate (ANR)	1850 l/min
Ambient temperature	-10°C ~ 60°C
Net weight	1200g
Accessories	Pressure gauge, Mounting bracket, Plug, Screw x 2