

Media: air – water – liquid - vacuum  
 Pressure range: 0 to 10 Bar max  
 Media temperature: 0°C to +90°C max  
 Ambient temperature: -15°C to +60°C  
 Mounting: Any  
 Cycles: 70,000  
 Open or Close: 10 seconds  
 Duty cycle: 100%  
 Mounting: ISO5211, F03, F05

# Motor Stainless Ball Valve

## 1 1/4 – 2 BSP Stainless FAILSAFE & STANDARD 2 Way 0 – 10 Bar TYPE ABV-MO



### PRESSURE

Port BSP	Orifice mm	Operating Time Secs	Pressure (Bar) ΔP		Function	Voltage	Part Number
			Min	Max			
1 1/4	32	10	0	10	<b>Failsafe Control</b> Power ON valve Opens Power OFF valve Closes  <i>Requires initial 30 second power ON time thereafter minimum 10 seconds to recharge the reserve power.</i>	12-24DC + 24AC	ABV12S/9AR-E2-MO
						110-240vAC	ABV12S/2AR-E2-MO
1 1/2	38	10	0	10		12-24DC + 24AC	ABV14S/9AR-E2-MO
						110-240vAC	ABV14S/2AR-E2-MO
2	50	10	0	10		12-24DC + 24AC	ABV20S/9AR-E2-MO
						110-240vAC	ABV20S/2AR-E2-MO
1 1/4	32	10	0	10	<b>3 Wire Control</b>  Connect Power Red & Negative Black  Power to Green - Valve Opens Power off Green - Valve Closes	12-24DC + 24AC	ABV12S/8-E2-MO
						110-240vAC	ABV12S/2-E2-MO
1 1/2	38	10	0	10		12-24DC + 24AC	ABV14S/9-E2-MO
						110-240vAC	ABV14S/2-E2-MO
2	50	10	0	10		12-24DC + 24AC	ABV20S/9-E2-MO
						110-240vAC	ABV20S/2-E2-MO

### OPTIONS

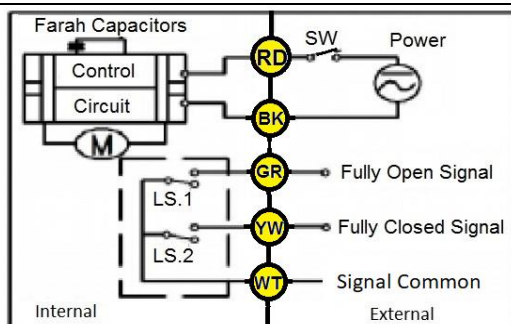
Visual Position Indicator, manual over ride and E2 Volt free fully Open & Closed position feedback switches  
 Failsafe Open (MO-NO Power to close with failsafe Open), or NPT thread  
 3 wire 1 point control

**Included**

### ELECTRICAL DATA

Duty 100% Open / Close 10 seconds	<b>Open + Closed Position Feed Back Switches</b> <b>(Volt Free – no voltage supplied)</b>  36vDC 0.4 Amp Max	Torque	Power	Enclosure	Electrical connections
		15 Nm	22 Watt Max 1 Amp	IP67	Cable 0.5 meter

#### Failsafe - Automatic Return

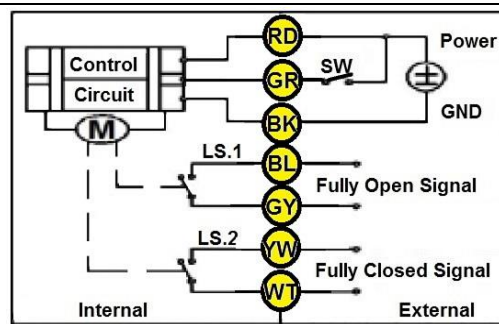


Power ON motor actuates valve into powered position and then automatically powers off. Valve stays in powered position.

Power OFF motor actuates valve back to start position using reserve power. Valve stays in start position

**Position Feedback: Green Open, Yellow Closed, White common**

#### 3 Wire Control



Power ON to GREEN motor actuates valve into powered position and then automatically powers off. Valve stays in powered position.

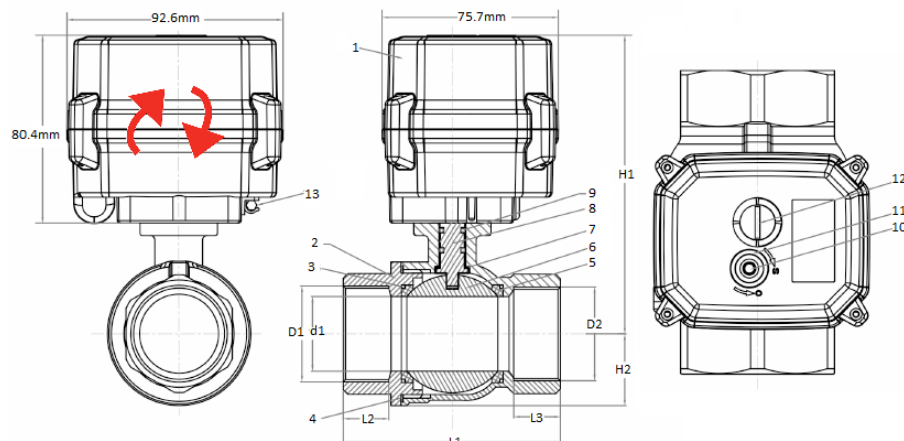
Power OFF to GREEN motor actuates valve back to start position and then automatically powers off. Valve stays in start position.

**Position Feedback: Blue & Grey Open, Yellow & White Closed.**

### CONSTRUCTION

Valve Body: 304 stainless steel, Seals WRAS PTFE, ABV Actuator: ABS Engineering Plastic, Gears Metal

### OVERALL DIMENSIONS



Port	Bore D1	L1	L2 / L3	E1	H1	H2
1 1/4	32	102	23	47	122	31
1 1/2	38	115	25	52	130	36
2	50	130	25	66	141.4	44.5

1	Actuator	PPO	8	Stem	Stainless
2	Cover	Stainless	9	O Ring	FKM
3	O Ring	FKM	10	Screw	Stainless
4	Seal	PTFE	11	O Ring	NBR
5	Seal	PTFE	12	Indicator	PC
6	Ball	Stainless	13	Allen Key	Steel
7	Gasket	PTFE			