

Media: water, air, gas, fluid
 Pressure: Inlet 5 Bar max
 Pressure range: 0.02 to 0.2 Bar
 Media temp: -15°C to +80°C max
 Ambient temperature: +80°C max
 Mount: Gauge upright, stem down

Micro Pressure Reducing Valve

1/2 – 2" or DN15 – DN50
 316 STAINLESS STEEL
 DIRECT ACTING
 0.02 – 0.2 Bar
 TYPE REMT + REMF



PRESSURE

Ø Port BSP	Flow Kv L/min	Pressure Rating (Bar)		Part Number			
		Max Inlet (Bar)	Adjustable Pressure Reducing Range (Bar)				
			Minimum				Maximum
1/2	34.32	5	0.02	0.2	REMT15S + seal		
3/4	128.7	5	0.02	0.2	REMT20S + seal		
1	157.3	5	0.02	0.2	REMT25S + seal		
1 1/2	300.3	5	0.02	0.2	REMT40S + seal		
2	357.5	5	0.02	0.2	REMT50S + seal		

Ø Port PN16 Flange

DN15	34.32	5	0.02	0.2	REMF15S + seal	
DN20	128.7	5	0.02	0.2	REMF20S + seal	
DN25	157.3	5	0.02	0.2	REMF25S + seal	
DN40	300.3	5	0.02	0.2	REMF40S + seal	
DN50	357.5	5	0.02	0.2	REMF50S + seal	

OPTIONS

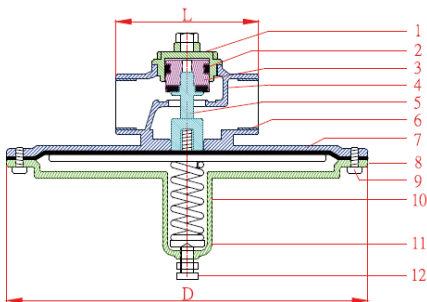
Pressure Gauge (316 Stainless steel)
 Other ANSI150Lb, JIS10K flange or NPT and Rc thread options
 Other custom made media, pressure and seal options available upon request

Included
 +10%

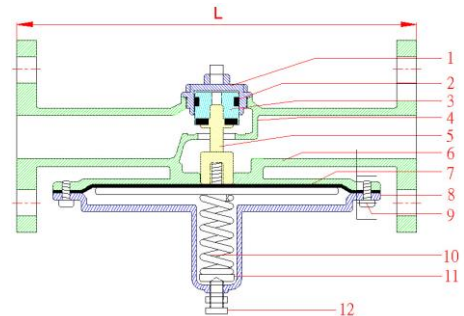
CONSTRUCTION

Body, Piston & shaft: 316 stainless steel
 Seals: NBR or FKM, Diaphragm Nylon /EPDM
 Spring: steel
 Fixing bolts and adjusting stem: 304 stainless steel
 Body Test Pressure: 12 Bar

OVERALL DIMENSIONS



Part No:	Port	L mm	D
REMT15	1/2	70	310
REMT20	3/4	85	310
REMT25	1	90	310
REMT40	1 1/2	115	310
REMT50	2	120	310
REMF15	DN15	420	
REMF20	DN20	420	
REMF25	DN25	420	
REMF40	DN40	420	
REMF50	DN50	420	



No	Part	Material	No	Part	Material
1	Cover	Stainless steel 316	7	Diaphragm	Nylon - EPDM
2	U Ring	NBR or FKM	8	Spring cover	Stainless steel 316
3	Piston	Stainless steel 316	9	Stem	Stainless steel 304
4	Sealing	NBR or FKM	10	Spring	Spring steel
5	Shaft	Stainless steel 316	11	Washer	Brass
6	Main body	Stainless steel 316	12	Stem	Stainless steel 304

