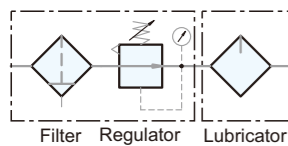


## Symbol



## Features

1. For high pressure use, corrosion and chemical resistance.
2. Good performance for outdoor facility.
3. Suitable for semi-conductor industry.
4. Large flow rate and effectively removes water and particle.
5. Accurate and sensitive pressure setting.
6. Lubricator oil can be replenished without stopping air supply.
7. Oil spray in mist ensures good lubrication for machines.



\*Lubricator oil (Recommended): ISO-VG32

## How to order

USFR/L	B	—	02	N	C	H	W
Stainless Steel F.R.L Combination	Pressure		Port size	Thread	Filtration	Drain	Bowl viewer
	Blank : 12~30kgf/cm <sup>2</sup> (for 1/4", 3/8", 1/2") 12~28kgf/cm <sup>2</sup> (for 3/4", 1") B : 0.5~12kgf/cm <sup>2</sup>		02 : 1/4" 03 : 3/8" 04 : 1/2" 06 : 3/4" 08 : 1"	Blank : G N : NPT R : Rc	Blank : 5μm C : 40μm	Blank : Semi-auto drain H : Manual drain D : Auto drain (Working pressure: 0.5~9.9 kgf/cm <sup>2</sup> )	Blank : W/O Viewer W : Viewer (for 3/4", 1") (See *Remark below)

Please contact our sales for non-relieving type.

\*For non-relieving type, the secondary pressure is not allowed to be exhausted when it is higher than setting pressure.

\*Remark: Only for USFR/LB (0.5~12 kgf/cm<sup>2</sup>).

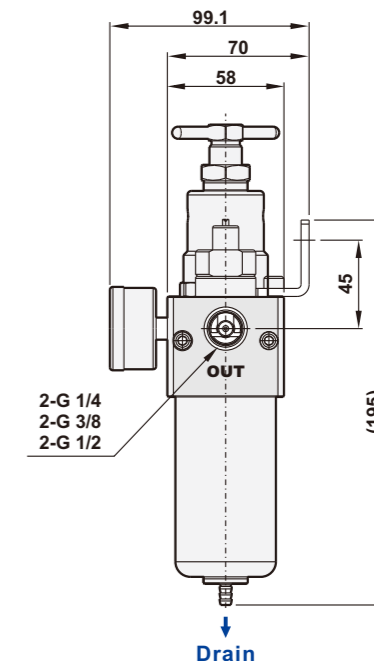
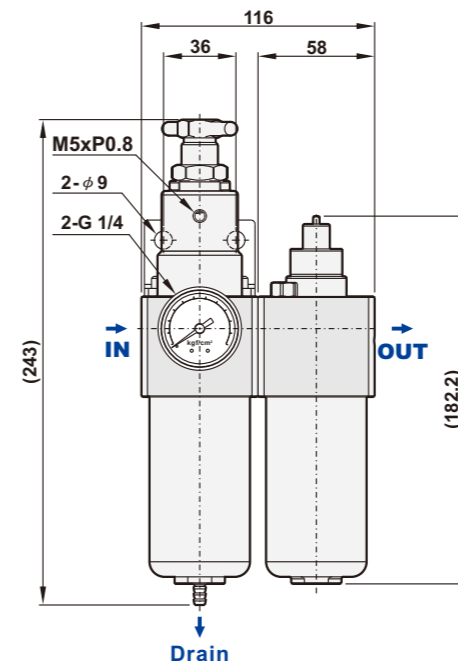
\*Spring: USFR/LB = SUS303  
USFR/L = Alloy steel

## Specifications

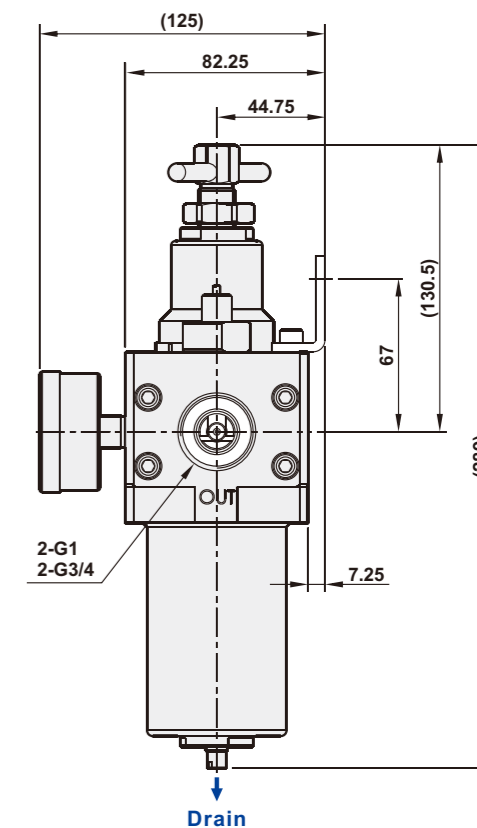
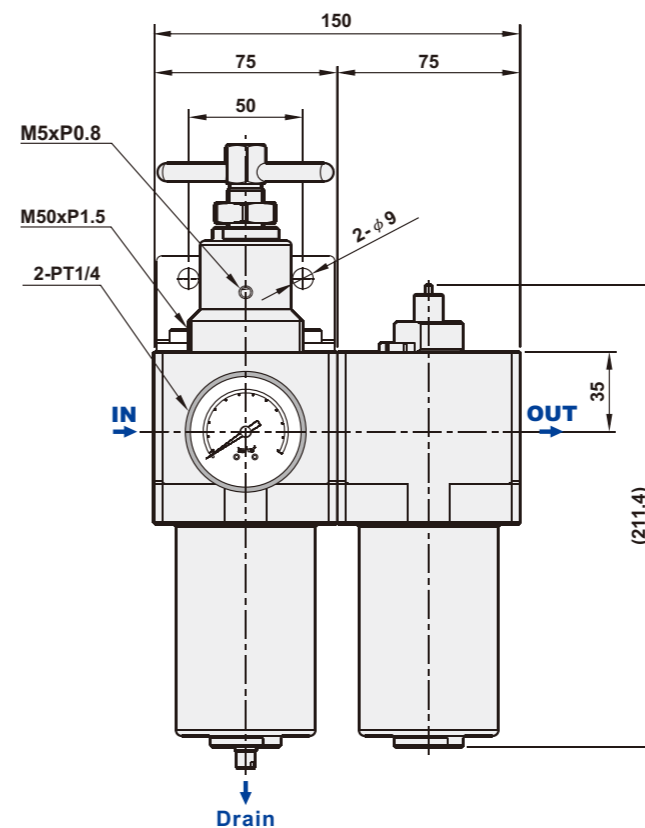
Model	USFR/L-02	USFR/L-03	USFR/L-04	USFR/L-06	USFR/L-08
Port size	1/4"	3/8"	1/2"	3/4"	1"
Fluid	Compressed air				
Regulator construction	Piston				
Body material	Stainless steel SUS316				
Bowl material	Stainless steel SUS316				
Pressure gauge material	Case: Stainless steel SUS304, Thread: Stainless steel SUS316				
Filtration/Element material	5μm (Standard) Stainless steel SUS316				
Operating pressure range	USFR/LB: 0.5 ~ 12 kgf/cm <sup>2</sup> USFR/L: 12 ~ 30 kgf/cm <sup>2</sup>		USFR/LB: 0.5 ~ 12 kgf/cm <sup>2</sup> USFR/L: 12 ~ 28 kgf/cm <sup>2</sup>		
Max. inlet pressure	60 kgf/cm <sup>2</sup> (Bowl viewer: 15 kgf/cm <sup>2</sup> )				
Max. flow rate l/min (ANR)	2080	2200	2500	B7600/15200	B8000/15200
Ambient temperature	-10°C ~ 70°C				
Filter bowl capacity	110cc		200cc		
Lubricator bowl capacity	130cc		220cc		
Standard drain	Semi-auto drain (Drains below 0.5kgf/cm <sup>2</sup> )				
Net weight	3800g	3870g	3840g	7960g	
Accessories	Pressure gauge(0~20kg), Plug, Mounting bracket set				
Option	Pressure gauge (0~10kg), Pressure gauge (0~30kg)				

## Dimensions

### USFR/L-02, 03, 04



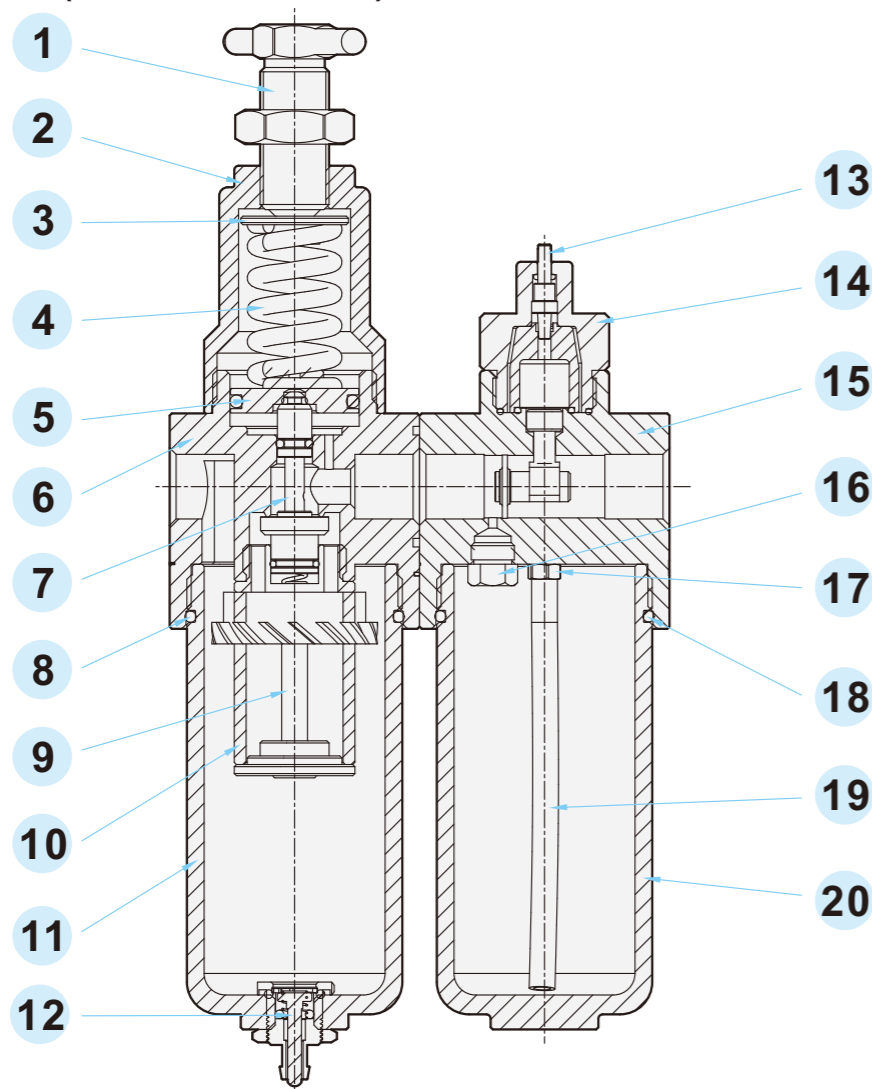
### USFR/L-06, 08



**Stainless Steel F.R.L Combination**

Filter Regulator + Lubricator

■ Construction(USFR/L-02,03,04)



Memo...

No.	Description	Material
1	Pressure regulating screw	SUS316
2	Regulator base	SUS316
3	Disc gasket	SUS303
4	Spring	USFR/LB=SUS303 USFR/L=Alloy steel
5	Piston	SUS303
6	Regulator body	SUS316
7	Pressure regulating needle	SUS303
8	O-ring	VITON
9	Filter element holder	SUS303
10	Filter element	SUS316

No.	Description	Material
11	Filter bowl	SUS316
12	Drain	SUS303
13	Oil adjusting screw	SUS316
14	Screw cover	SUS316
15	Lubricator body	SUS316
16	Plug	SUS316
17	Oil pipe fitting	SUS316
18	O-ring	VITON
19	Oil pipe	PU
20	Lubricator bowl	SUS316

