

Media: air – water – oil – aggressive
 Pressure range: 0 to 16 Bar max
 Media temperature: -20°C +150°C max
 Ambient temperature: -10°C to +50°C
 Media viscosity: 500 centistokes max
 Mounting: any position
 Compressed air supply: 4 - 6 Bar
 ISO5211, DIN3337, VD+VDE3845
 Namur + ¼ BSP (G)

2/2 Stainless

1/2 - 4"

Single Acting / Spring Return Pneumatic Actuated Ball Valve

0 – 16 Bar

TYPE AABV3SS-AR



PRESSURE

Ø Port BSP	Actuator	Pressure (Bar)		ISO5211 Mounting	Drive mm	Part Number
		Min	Max			
1/2	52AR	0	16	F03	11	AABV3SS-04AR
3/4	52AR	0	16	F03	11	AABV3SS-06AR
1	63AR	0	16	F05	14	AABV3SS-08AR
1 1/4	63AR	0	16	F05	14	AABV3SS-12AR
1 1/2	83AR	0	16	F05	17	AABV3SS-14AR
2	83AR	0	16	F05	17	AABV3SS-20AR
2 1/2	92AR	0	16	F05	17	AABV3SS-24AR
3	105AR	0	16	F07	22	AABV3SS-28AR
4	125AR	0	16	F07	22	AABV3SS-32AR

OPTIONS

NPT Thread
 Namur Solenoid Valve (CY525S single acting)
 Namur solenoid valve (CT525D double acting)

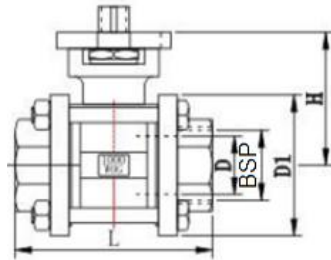
CONSTRUCTION

Ball valve: 316 stainless steel 3 piece CF8M blowout proof stem, Seals and gaskets: PTFE
 Actuator: Aluminium Alloy

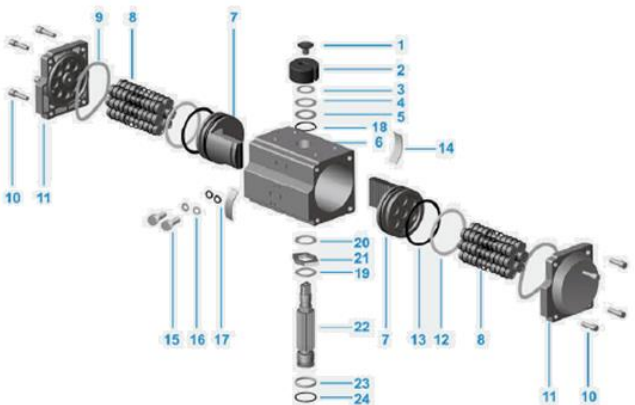
Output Torque according to air supply pressure at 0° / 90°

Torque	4 Bar	5 Bar	6 Bar	7 Bar	Spring Stroke 0° / 90°
52AR	8 / 4	12 / 8	17 / 12	-	7.9 / 12.4
63AR	15 / 7	22 / 15	29 / 22	37 / 29	14 / 21.6
75AR	23 / 12	35 / 23	46 / 35	58 / 47	23.7 / 35
83AR	31 / 17	46 / 32	62 / 47	77 / 62	29 / 43.4
92AR	47 / 26	69 / 48	92 / 71	115 / 94	44 / 65
105AR	70 / 37	103 / 70	137 / 104	171 / 138	66.4 / 99.6
125AR	114 / 59	172 / 117	231 / 176	-	118.8 / 173.8

OVERALL DIMENSIONS



Port	DN	L	D	H	D1	Kg
1/2	15	70	15	38	48	1.92
3/4	20	77	20	46	55	2.14
1	25	82	25	53	61	3.14
1 1/4	32	98	32	60	72	4.16
1 1/2	40	111	38	71	79	4.74
2	50	134	49	78	90	6.06
2 1/2	65	165	65	98	117	10.5
3	80	193	80	109	143	14.6
4	100	241	100	130	200	22.2



No	Description	Qty	Material	Wearing Parts
1	Indicator Screw	1	PA66 + SS	
2	Indicator	1	POM	
3	Spring Clip	1	Circlip	
4	Washer	1	Stainless	
5	Outside Washer	1	PTFE	
6	Body	1	Aluminium Alloy Hard Anodised	
7	Piston	2	Cast Aluminium Hard Anodised	
8	Spring Assembly	TBA	60Si2Mn2 + PA66 Dip coated	
9	End cap O ring	2	NBR/HNBR/FKM	YES
10	Cap Screw	8	Stainless steel	
11	End Cap	2	Cast Aluminium Powder Coated	
12	Bearing piston	2	PTFE	
13	O Ring Piston	2	NBR/HNBR/FKM	YES
14	Guide piston	2	POM	
15	Adjusting bolt	2	Stainless steel	
16	Adjusting screw nut	2	Stainless steel	
17	O ring adjusting nut	2	NBR/HNBR/FKM	
18	O ring piston top	1	NBR/HNBR/FKM	YES
19	Bearing pinion top	1	PTFE	YES
20	Inside washer	1	PTFE	
21	Cam	1	Stainless steel	
22	Pinion	1	Alloy Steel Nickel Plated	
23	Bearing pinion bottom	1	PTFE	
24	O ring pinion bottom	1	NBR/HNBR/FKM	YES

