

Media: air – water – oil - vacuum  
 Pressure range: 0 to 64 bar max  
 Media temperature: -20° to +130° C  
 Ambient temperature: -30° to +60° C  
 Media viscosity: 500 centistokes max  
 Mounting: any position  
 Opening Closing time: 25 – 130mSec

## 2/2 Brass & Stainless

1/4 - 1 1/2 COAXIAL  
 N/CLOSED & N/OPEN  
 2 WAY DIRECT ACTING  
 0 - 64 Bar  
 TYPE 271



### PRESSURE

| Port<br>BSP             | Ø<br>Orifice<br>(mm) | Flow<br>Kv<br>m³/hr | Pressure Rating (Bar) |     |     | Body<br>Material | Part Number                |
|-------------------------|----------------------|---------------------|-----------------------|-----|-----|------------------|----------------------------|
|                         |                      |                     | Min                   | Max |     |                  |                            |
|                         |                      |                     |                       | P→A | A→P |                  |                            |
| 1/4, 3/8, 1/2, (3/4*)   | 10                   | 2.5                 | 0                     | 64  | 16  | Brass            | 271A10MOG + port + voltage |
| 3/8, 1/2, 3/4, (1*)     | 15                   | 5.2                 | 0                     | 64  | 16  | Brass            | 271A15MOG + port + voltage |
| 1/2, 3/4, 1, (1 1/4*)   | 20                   | 7.0                 | 0                     | 64  | 16  | Brass            | 271A20MOG + port + voltage |
| 3/4, 1, 1 1/4, (1 1/2*) | 25                   | 12.3                | 0                     | 64  | 16  | Brass            | 271A25MOG + port + voltage |
| 1, 1 1/4, 1 1/2         | 32                   | 20.0                | 0                     | 64  | 16  | Brass            | 271A32MOG + port + voltage |
| 1/4, 3/8, 1/2, (3/4*)   | 10                   | 2.5                 | 0                     | 64  | 16  | St.St.303        | 271A10V2G + port + voltage |
| 3/8, 1/2, 3/4, (1*)     | 15                   | 5.2                 | 0                     | 64  | 16  | St.St.303        | 271A15V2G + port + voltage |
| 1/2, 3/4, 1, (1 1/4*)   | 20                   | 7.0                 | 0                     | 64  | 16  | St.St.303        | 271A20V2G + port + voltage |
| 3/4, 1, 1 1/4, (1 1/2*) | 25                   | 12.3                | 0                     | 64  | 16  | St.St.303        | 271A25V2G + port + voltage |
| 1, 1 1/4, 1 1/2         | 32                   | 20.0                | 0                     | 64  | 16  | St.St.303        | 271A32V2G + port + voltage |
| 1/4, 3/8, 1/2, (3/4*)   | 10                   | 2.5                 | 0                     | 64  | 16  | St.St.316        | 271A10V4G + port + voltage |
| 3/8, 1/2, 3/4, (1*)     | 15                   | 5.2                 | 0                     | 64  | 16  | St.St.316        | 271A15V4G + port + voltage |
| 1/2, 3/4, 1, (1 1/4*)   | 20                   | 7.0                 | 0                     | 64  | 16  | St.St.316        | 271A20V4G + port + voltage |
| 3/4, 1, 1 1/4, (1 1/2*) | 25                   | 12.3                | 0                     | 64  | 16  | St.St.316        | 271A25V4G + port + voltage |
| 1, 1 1/4, 1 1/2         | 32                   | 20.0                | 0                     | 64  | 16  | St.St.316        | 271A32V4G + port + voltage |

### OPTIONS

Normally Open version (271B)  
 Inductive Position Switch E1 with 1 position Open or Closed (Please advise if require position Open or Position Closed Switch)  
 Inductive Position Switch E2 with 2 positions Open and Closed  
 Vacuum – Degreased – Flanged – Manual Override – Galvanised or Nickel Plated Steel – NBR EPDM PTFE seals, Mounting Bracket

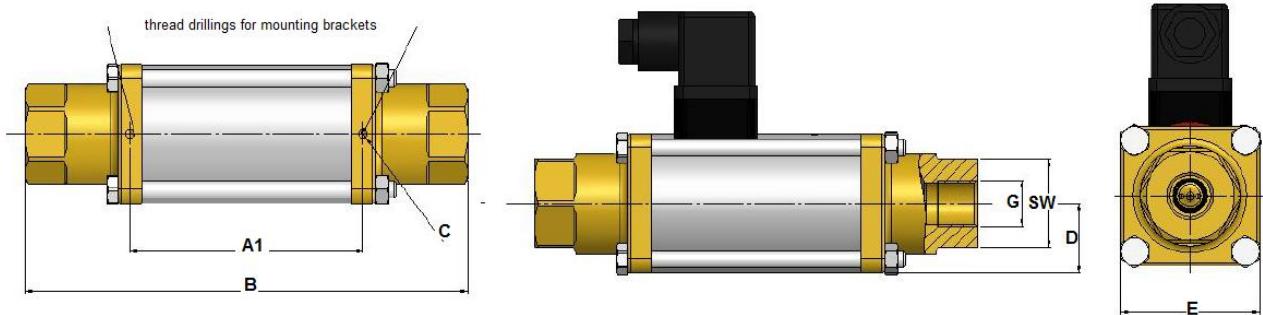
### ELECTRICAL DATA

| Voltage (-10% + 10%)<br>Continuous duty 100%                       | Power Consumption (Watts) |      |      |      |      | Insulation<br>class | Enclosure                  | Electrical<br>connections                      |
|--|---------------------------|------|------|------|------|---------------------|----------------------------|--|
|  | Ø 10                      | Ø 15 | Ø 20 | Ø 25 | Ø 32 |                     |                            |  |
| ~ 12 - 24 - 48 - 110 - 230<br>(40 – 60Hz Connector with rectifier) | 53                        | 55   | 59   | 85   | 76   | F 155°C             | IP 65<br>with<br>connector | 3 spades<br>DIN 43650<br>DIN 40050<br>VDE 0110 |
| = 12 - 24 - 48 - 110 - 230 (DC)                                    | 44                        | 50   | 53   | 77   | 73   |                     |                            |  |

### CONSTRUCTION

Body: Brass MS058 (MO version): Option: St steel 303 (V2G) or 316L (V4G)  
 Tube and internal parts: Stainless steel  
 Seals: Static FKM - Dynamic PTFE (Optional NBR, EPDM or PTFE)

### OVERALL DIMENSIONS



| DN | G                    | SW | A1  | B     | C  | D    | E   | Kg   |
|----|----------------------|----|-----|-------|----|------|-----|------|
| 10 | 1/4 3/8 1/2 (3/4*)   | 32 | 84  | 159.5 | M4 | 25   | 50  | 1.7  |
| 15 | 3/8 1/2 3/4 (1*)     | 41 | 100 | 184   | M5 | 35   | 70  | 3.6  |
| 20 | 1/2 3/4 1 (1 1/4*)   | 46 | 108 | 215   | M5 | 40   | 80  | 5.4  |
| 25 | 3/4 1 1 1/4 (1 1/2*) | 55 | 121 | 246   | M5 | 45   | 90  | 7.1  |
| 32 | 1 1 1/4 1 1/2        | 60 | 122 | 269   | M6 | 57.5 | 115 | 12.6 |