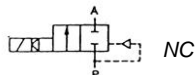


Media: acid –alkali-air–water–light oil  
 Pressure range: 0 to 0.5 bar max  
 Media temperature: +5°C to 50°C  
 Ambient temperature: +5° to +50°C  
 Media viscosity: 40 centistokes max  
 Mounting: coil upright



# 2/2 PVC & PP

## 15mm - 50mm DRY - ARMATURE

### N/CLOSED + N/OPEN

### 2 WAY ASSISTED LIFT

0 – 0.5 Bar

## TYPE 136



#### PRESSURE

Ø Port Cement Spigot	Body Material	Flow Kv Ltr/Min	Pressure Rating (bar) ΔP			Seals	Part Number
			Min	Max AC	Max DC		
15	PVC	53.0	0	0.5	0.4	FKM EPDM	136A15P1KSF + Voltage 136A15P1KSE + Voltage
20	PVC	125.0	0	0.5	0.4	FKM EPDM	136A20P1KSF + Voltage 136A20P1KSE + Voltage
25	PVC	166.6	0	0.5	0.4	FKM EPDM	136A25P1KSF + Voltage 136A25P1KSE + Voltage
32	PVC	266.6	0	0.5	0.4	FKM EPDM	136A32P1KSF + Voltage 136A32P1KSE + Voltage
40	PVC	433.3	0	0.5	0.4	FKM EPDM	136A40P1KSF + Voltage 136A40P1KSE + Voltage
50	PVC	633.3	0	0.5	0.4	FKM EPDM	136A50P1KSF + Voltage 136A50P1KSE + Voltage

#### OPTIONS

IP65 coil + Connector PG9 – DIN 43650 A  
 Normally Open  
 PTFE Seal  
 Polypropylene body with Fusion Spigot connections (Part no. 136AXXP2SX + voltage)  
 ATEX EExemII T4 Explosion Proof coil (20% Pressure reduction)

#### ELECTRICAL DATA

Voltage (-10% + 10%) Continuous duty 100%		Power Consumption		Insulation class	Enclosure	Electrical connections
~	24 - 110 - 230 (50 or 60 Hz)	DN15 - 20	DN25 - 50			
=	12 - 24 (DC)	30 Watts	34 Watts			

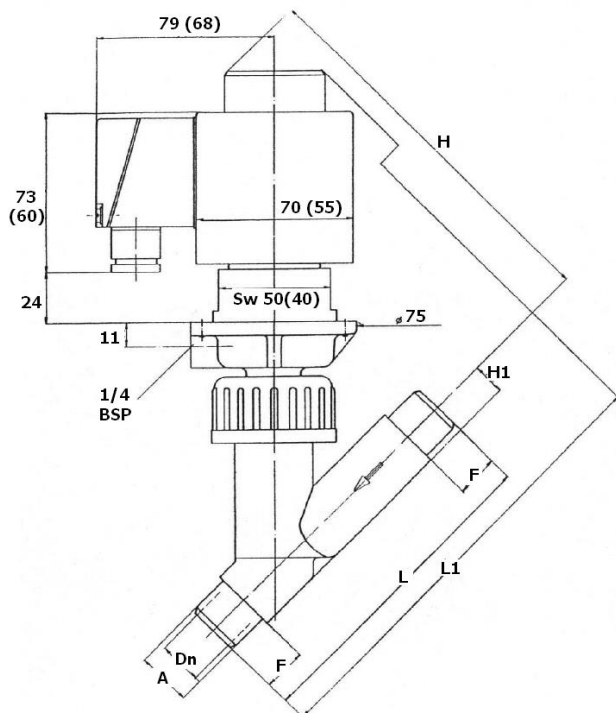
#### CONSTRUCTION

Body: PVC Optional PP  
 Tube and internal parts: Stainless steel  
 Moulded coil: Resin

#### REPAIR KIT

Diaphragm	136 + seal material + orifice
Coil	136 + Coil size (30 or 34) + voltage
Complete plunger + O' rings	KIT136 + seal material

#### OVERALL DIMENSIONS



DN	ØA	F	H1	H	L	L1
15	20	16	13	166	124	195
20	25	19	15	180	144	215
25	32	22	18	185	154	222
31	40	26	22	208	174	243
40	50	31	27	221	194	265
50	63	38	33	258	224	285