



## ARMATURE ASSEMBLY GW (THREAD)

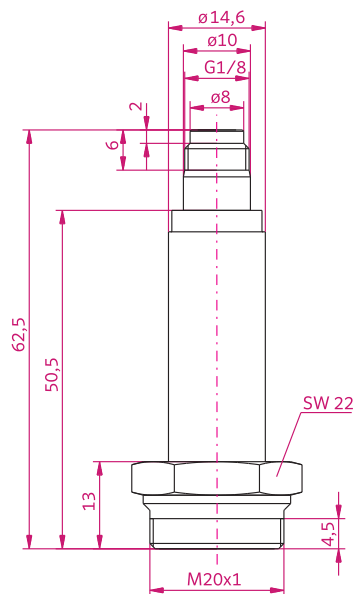
Switching function: 2/2 and 3/2 way  
De-energized state: NC (normally closed), NO (normally open)  
Connection type: thread M 20 x 1, metal sealing or with O'ring shading ring for AC versions (without nonferrous metal on request)



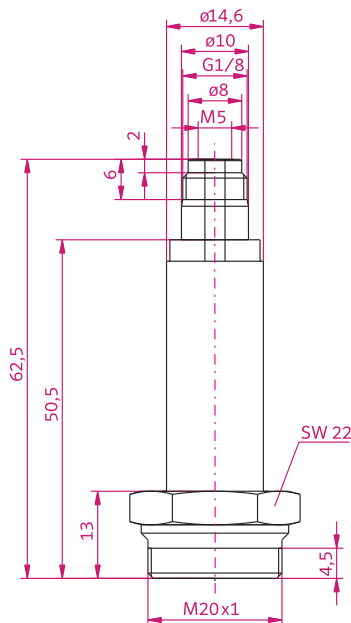
### General Data

Ambient temperature ..... - 10 °C to + 50 °C  
Sealing Material ..... FKM (other sealing materials on request)  
Quality of medium according to ISO 8573-1  
when using FKM sealing elements ..... compressed quality air class 4, 3, 4  
Mounting position ..... any (preferably plunger in vertical direction)

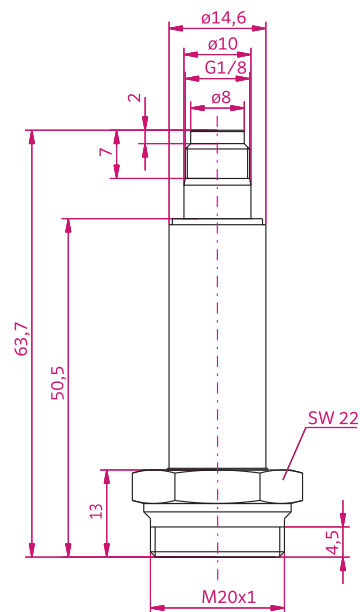
2/2 way NC



3/2 way NC



2/2 way NO





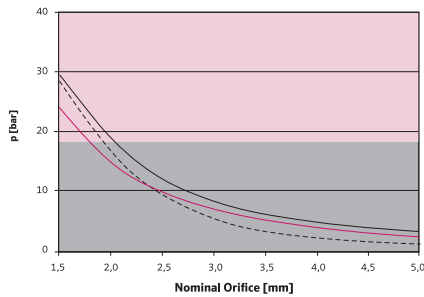
### Technical Data Standard Versions

Part No.	Function	Power Level	Nominal Orifice [mm]		Pressure [bar]	Thread M 20 x 1		Armature Guide	
			inlet	exhaust		metal sealing	O'ring sealing	brass	stainless steel
113-010-0026	3/2 way NC	1	1,3	1,5	10	x			x
113-010-0022	3/2 way NC	2	2,0	2,5	10	x			x
113-010-0014	2/2 way NC	2, 3, 4	see below		see below		x	x	
113-010-0015	2/2 way NC	2, 3, 4	see below		see below		x		x
113-010-0031	2/2 way NC	2, 3, 4	see below		see below	x			x
113-010-0024	3/2 way NC	3	2,5	3,0	10	x			x
113-010-0056	2/2 way NO	3	see below		see below	x			x
113-010-0057	3/2 way NC	3	2,5	3,0	10		x		x
113-010-0002	3/2 way NC	4	3,0	3,5	10		x		x
113-010-0028	3/2 way NC	4	3,0	3,5	10	x			x
113-010-0046	2/2 way NO	5	see below		see below	x			x

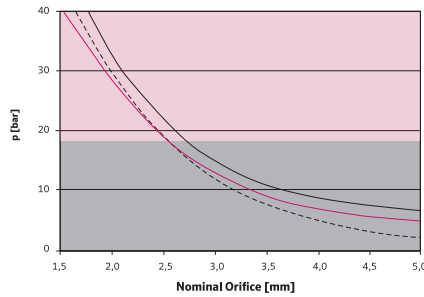
### Power Levels for 2/2 Way Versions

— AC - 50 Hz   
 — AC - 60 Hz   
 - - - DC - 5 % residual ripple   
 max. test pressure: 18 bar - special versions on request

Power Level 2



Power Level 3



Power Level 4

