

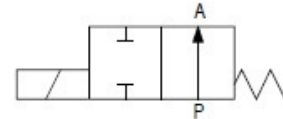
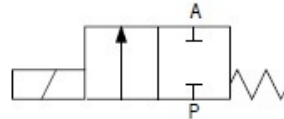
2/2-Wege Magnetventil 2/2-way solenoid valve

Baureihe 860 Type 860

direktgesteuert
direct acting

Schaltfunktion: **NC** (stromlos geschlossen)
function: **NC** (normally closed)

NO (stromlos offen)
NO (normally open)



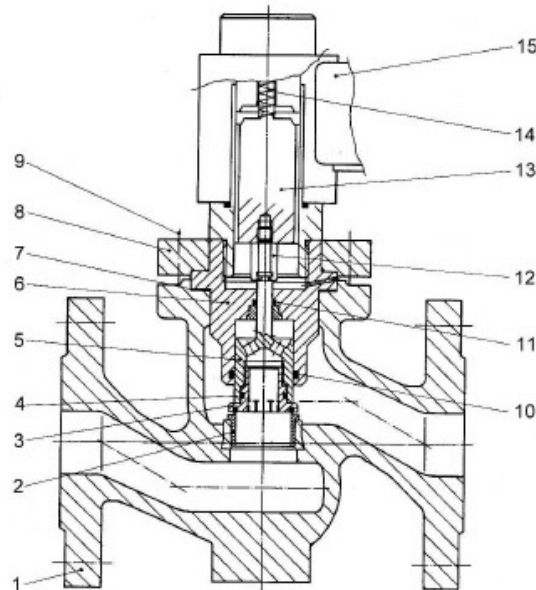
Bauart	Kolbenventil	design	<i>piston valve</i>
Nennweite	DIN 15 - 150	diameter	<i>DN 15 - 150</i>
Druckbereich	0 - max. 25 bar (siehe Tabelle)	pressure range	<i>0 - max. 25 bar (see table)</i>
Gehäusewerkstoff	Grauguss GG25, Stahlguss GS-C25N, Edelstahl 1.4305	body material	<i>grey cast iron GG25, cast steel GS-stainless steel AISI 304</i>
Dichtwerkstoff	NBR, EPDM, FKM	seal material	<i>NBR, EPDM, FKM</i>
Temperatur	Medium: bei NBR - 10 bis + 90°C bei EPDM - 10 bis + 130°C bei FKM - 10 bis + 130°C Umgebung: max. + 50°C	temperature	<i>media: with NBR - 10 up to + 90°C with EPDM - 10 up to + 130°C with FKM - 10 up to + 130°C ambient: max. + 50°C</i>
Anschlüsse	GG25 Flansch PN 16 nach DIN 2533 GS-C25N Flansch PN 40 nach DIN 2545 1.4305 Flansch PN 40 nach DIN 2545	connection	<i>GG25 flange PN 16 acc. DIN 2533 GS-C25N flange PN40 acc. DIN 2545 1.4305 flange PN 40 acc. DIN 2545</i>
Elektr. Anschluss	Gerätesteckdose nach DIN EN 175301-803	electr. connection	<i>cable plug acc. DIN EN 175301-803</i>
Anschlussspannung	230V 50Hz, 24V DC, Sonderspannungen	nominal voltage	<i>230V 50Hz, 24V DC, special voltages</i>
Spannungstoleranz	+ / - 10 % nach VDE 0580	voltage tolerance	<i>+ / - 10 % acc. VDE 0580</i>
Leistungsaufnahme	Spulen-ø 60 mm 30 Watt Spulen-ø 70 mm 60 Watt Spulen-ø 100 mm 100 Watt	power consumption	<i>coil size 60 mm 30 Watt coil size 70 mm 60 Watt coil size 100 mm 100 Watt</i>
Einschaltdauer	100 % ED	duty factor	<i>100 % ED</i>
Schutzart	IP 65 mit montierter Gerätesteckdose		
Einbaulage	Magnet oben		

2/2-Wege Magnetventil 2/2-way solenoid valve

Baureihe 860
Type 860

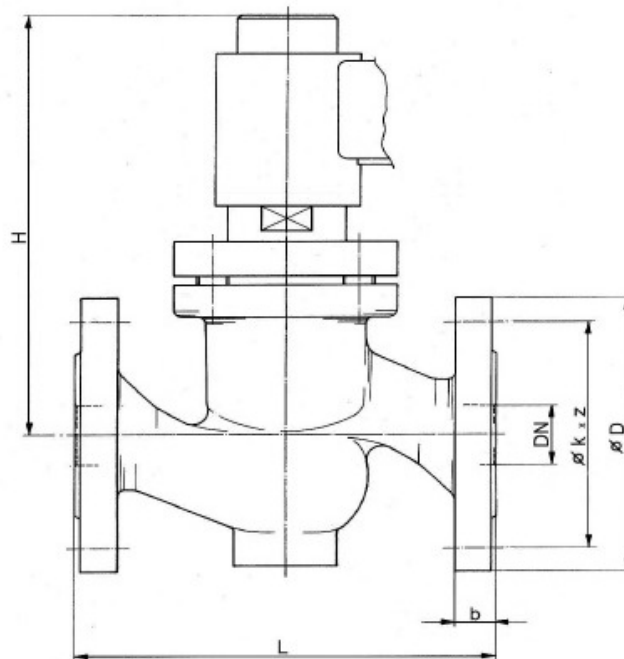
				protection class	<i>IP 65 with cable plug mounted</i>	
				mounting	<i>coil only in upright position</i>	
DN [mm]	GG25	Druck pressure range [bar]	GS-C25N	1.4305	Anschluss connection	Kv-Wert flow rate [m ³ /h]
15	0 - 16	0 - 16	0 - 16	0 - 16	Flansch <i>flange</i>	5
20	0 - 12	0 - 12	0 - 12	0 - 12	Flansch <i>flange</i>	11
25	0 - 8	0 - 8	0 - 8	0 - 8	Flansch <i>flange</i>	13
32	0 - 16	0 - 25	0 - 25	0 - 25	Flansch <i>flange</i>	28
40	0 - 16	0 - 20	0 - 20	0 - 20	Flansch <i>flange</i>	30
50	0 - 15	0 - 15	0 - 15	0 - 15	Flansch <i>flange</i>	46
65	0 - 16	0 - 25	0 - 25	0 - 25	Flansch <i>flange</i>	75
80	0 - 16	0 - 18	0 - 18	0 - 18	Flansch <i>flange</i>	97
100	0 - 10	0 - 10	0 - 10	0 - 10	Flansch <i>flange</i>	143
125	0 - 5	0 - 5	0 - 5	0 - 5	Flansch <i>flange</i>	240
150	0 - 3	0 - 3	0 - 3	0 - 3	Flansch <i>flange</i>	370

Schnittzeichnung sectional drawing



Pos.	Menge	Benennung	description
1	1	Ventilkörper	<i>valve body</i>
2	1	Kolben kpl.	<i>piston cpl.</i>
3	1	Anker	<i>plunger</i>
4	1	Magnetschlusshülse kpl.	<i>plunger guide tube cpl.</i>
5	1	Magnet	<i>magnet</i>
6	1	Gerätesteckdose	<i>cable plug</i>

Maßzeichnung für GG25 - PN 16
dimension drawing for GG25 - PN 16

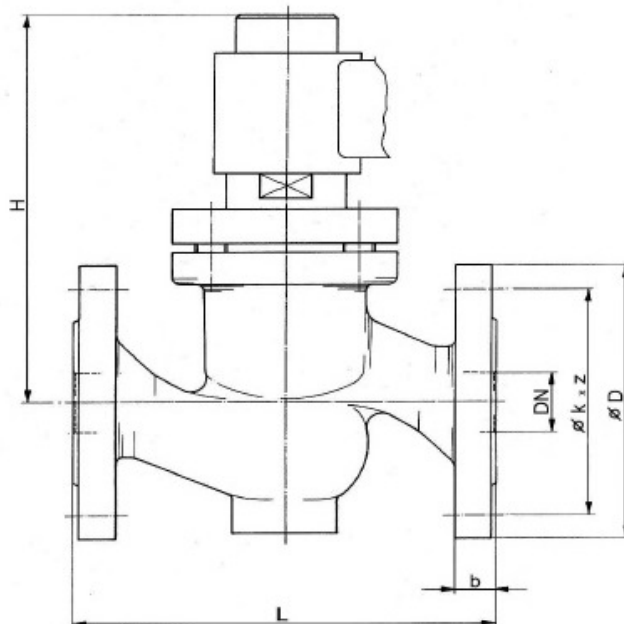


DN	L	H	Ø D	Ø k	z	b
15	130	165	95	65	4 x Ø 14	14
20	150	170	105	75	4 x Ø 14	16
25	160	175	115	85	4 x Ø 14	16
32	180	205	140	100	4 x Ø 18	18
40	200	215	150	110	4 x Ø 18	18
50	230	230	165	125	4 x Ø 18	20
65	290	280	185	145	4 x Ø 18	20
80	310	295	200	160	8 x Ø 18	22
100	350	330	220	180	8 x Ø 18	24
125	400	360	250	210	8 x Ø 18	26
150	480	385	285	240	8 x Ø 22	26

2/2-Wege Magnetventil
2/2-way solenoid valve

Baureihe 860
Type 860

Maßzeichnung für GS-C25N - PN 40 und Edelstahl - PN 16 - 40
dimension drawing for GS-C25N - PN 40 and stainless steel - PN 16 - 40



DN	L	H	Ø D	Ø k	z	b
15	130	165	95	65	4 x Ø 14	16
20	150	170	105	75	4 x Ø 14	18
25	160	175	115	85	4 x Ø 14	18
32	180	205	140	100	4 x Ø 18	18
40	200	215	150	110	4 x Ø 18	18
50	230	230	165	125	4 x Ø 18	20
65	290	280	185	145	8 x Ø 18	22
80	310	295	200	160	8 x Ø 18	24
100	350	330	235	190	8 x Ø 22	24
125	400	360	270	220	8 x Ø 26	26
150	480	385	300	250	8 x Ø 26	28

2/2-Wege Magnetventil 2/2-way solenoid valve

Baureihe 860 Type 860

Bestellbezeichnungen order specifications

DN [mm]	Werkstoffe Gehäuse / Dichtung material body / seal	Druck pressure range [bar]	Anschluss connection	Typenbezeichnung order specifications	
				230V 50Hz	24V DC
Spulendurchmesser 60mm <i>coil size 60mm</i>					
15	GG25 / grey cast iron / IIBR	0 - 16	PII 16	860A0000/15/G1F1I 23050	860A0000/15/G1F1I 2400
20	GG25 / grey cast iron / IIBR	0 - 12	PII 16	860A0000/20/G1F1I 23050	860A0000/20/G1F1I 2400
25	GG25 / grey cast iron / IIBR	0 - 8	PII 16	860A0000/25/G1F1I 23050	860A0000/25/G1F1I 2400
15	GG25 / grey cast iron / EPDM	0 - 16	PII 16	860A0000/15/G1F1E 23050	860A0000/15/G1F1E 2400
20	GG25 / grey cast iron / EPDM	0 - 12	PII 16	860A0000/20/G1F1E 23050	860A0000/20/G1F1E 2400
25	GG25 / grey cast iron / EPDM	0 - 8	PII 16	860A0000/25/G1F1E 23050	860A0000/25/G1F1E 2400
15	GG25 / grey cast iron / FKM	0 - 16	PII 16	860A0000/15/G1F1F 23050	860A0000/15/G1F1F 2400
20	GG25 / grey cast iron / FKM	0 - 12	PII 16	860A0000/20/G1F1F 23050	860A0000/20/G1F1F 2400
25	GG25 / grey cast iron / FKM	0 - 8	PII 16	860A0000/25/G1F1F 23050	860A0000/25/G1F1F 2400
15	GS-C25II / casted steel / IIBR	0 - 16	PII 40	860A0000/15/G2F3I 23050	860A0000/15/ G2F3I 2400
20	GS-C25II / casted steel / IIBR	0 - 12	PII 40	860A0000/20/G2F3I 23050	860A0000/20/ G2F3I 2400
25	GS-C25II / casted steel / IIBR	0 - 8	PII 40	860A0000/25/G2F3I 23050	860A0000/25/ G2F3I 2400
15	GS-C25II / casted steel / EPDM	0 - 16	PII 40	860A0000/15/G2F3E 23050	860A0000/15/G2F3E 2400
20	GS-C25II / casted steel / EPDM	0 - 12	PII 40	860A0000/20/G2F3E 23050	860A0000/20/G2F3E 2400
25	GS-C25II / casted steel / EPDM	0 - 8	PII 40	860A0000/25/G2F3E 23050	860A0000/25/G2F3E 2400
15	GS-C25II / casted steel / FKM	0 - 16	PII 40	860A0000/15/G2F3F 23050	860A0000/15/G2F3F 2400
20	GS-C25II / casted steel / FKM	0 - 12	PII 40	860A0000/20/G2F3F 23050	860A0000/20/G2F3F 2400
25	GS-C25II / casted steel / FKM	0 - 8	PII 40	860A0000/25/G2F3F 23050	860A0000/25/G2F3F 2400
15	1.4305 / AISI 304 / EPDM	0 - 16	PII 40	860A0000/15/V2F3E 23050	860A0000/15/V2F3E 2400
20	1.4305 / AISI 304 / EPDM	0 - 12	PII 40	860A0000/20/V2F3E 23050	860A0000/20/V2F3E 2400
25	1.4305 / AISI 304 / EPDM	0 - 8	PII 40	860A0000/25/V2F3E 23050	860A0000/25/V2F3E 2400
15	1.4305 / AISI 304 / FKM	0 - 16	PII 40	860A0000/15/V2F3F 23050	860A0000/15/V2F3F 2400
20	1.4305 / AISI 304 / FKM	0 - 12	PII 40	860A0000/20/V2F3F 23050	860A0000/20/V2F3F 2400
25	1.4305 / AISI 304 / FKM	0 - 8	PII 40	860A0000/25/V2F3F 23050	860A0000/25/V2F3F 2400
Spulendurchmesser 70mm <i>coil size 70mm</i>					
32	GG25 / grey cast iron / IIBR	0 - 16	PII 16	860A0000/32/G1F1I 23050	860A0000/32/G1F1I 2400
40	GG25 / grey cast iron / IIBR	0 - 16	PII 16	860A0000/40/G1F1I 23050	860A0000/40/G1F1I 2400
50	GG25 / grey cast iron / IIBR	0 - 15	PII 16	860A0000/50/G1F1I 23050	860A0000/50/G1F1I 2400
32	GG25 / grey cast iron / EPDM	0 - 16	PII 16	860A0000/32/G1F1E 23050	860A0000/32/G1F1E 2400
40	GG25 / grey cast iron / EPDM	0 - 16	PII 16	860A0000/40/G1F1E 23050	860A0000/40/G1F1E 2400
50	GG25 / grey cast iron / EPDM	0 - 15	PII 16	860A0000/50/G1F1E 23050	860A0000/50/G1F1E 2400
32	GG25 / grey cast iron / FKM	0 - 16	PII 16	860A0000/32/G1F1F 23050	860A0000/32/G1F1F 2400
40	GG25 / grey cast iron / FKM	0 - 16	PII 16	860A0000/40/G1F1F 23050	860A0000/40/G1F1F 2400
50	GG25 / grey cast iron / FKM	0 - 15	PII 16	860A0000/50/G1F1F 23050	860A0000/50/G1F1F 2400
32	GS-C25II / casted steel / IIBR	0 - 25	PII 40	860A0000/32/G2F3I 23050	860A0000/32/G2F3I 2400
40	GS-C25II / casted steel /	0 - 20	PII 40	860A0000/40/G2F3I 23050	860A0000/40/G2F3I 2400

We reserve the right to make modifications and technical updates to these technical data sheets .

2/2-Wege Magnetventil 2/2-way solenoid valve

Baureihe 860 Type 860

50	IIBR GS-C25II / casted steel / IIBR	0 - 15	PII 40	860A0000/50/G2F3II 23050	860A0000/50/G2F3II 2400
32	GS-C25II / casted steel / EPDM	0 - 25	PII 40	860A0000/32/G2F3E 23050	860A0000/32/G2F3E 2400
40	GS-C25II / casted steel / EPDM	0 - 20	PII 40	860A0000/40/G2F3E 23050	860A0000/40/G2F3E 2400
50	GS-C25II / casted steel / EPDM	0 - 15	PII 40	860A0000/50/G2F3E 23050	860A0000/50/G2F3E 2400
32	GS-C25II / casted steel / FKM	0 - 25	PII 40	860A0000/32/G2F3F 23050	860A0000/32/G2F3F 2400
40	GS-C25II / casted steel / FKM	0 - 20	PII 40	860A0000/40/G2F3F 23050	860A0000/40/G2F3F 2400
50	GS-C25II / casted steel / FKM	0 - 15	PII 40	860A0000/50/G2F3F 23050	860A0000/50/G2F3F 2400

Bestellbezeichnungen

order specifications

DN [mm]	Werkstoffe Gehäuse / Dichtung material body / seal	Druck pressure range [bar]	Anschluss connection	Typenbezeichnung order specifications 230V 50Hz	Typenbezeichnung order specifications 24V DC
Spulendurchmesser 70mm coil size 70mm					
32	1.4305 / AISI 304 / EPDM	0 - 25	PII 40	860A0000/32/V2F3E 23050	860A0000/32/V2F3E 2400
40	1.4305 / AISI 304 / EPDM	0 - 20	PII 40	860A0000/40/V2F3E 23050	860A0000/40/V2F3E 2400
50	1.4305 / AISI 304 / EPDM	0 - 15	PII 40	860A0000/50/V2F3E 23050	860A0000/50/V2F3E 2400
32	1.4305 / AISI 304 / FKM	0 - 25	PII 40	860A0000/32/V2F3F 23050	860A0000/32/V2F3F 2400
40	1.4305 / AISI 304 / FKM	0 - 20	PII 40	860A0000/40/V2F3F 23050	860A0000/40/V2F3F 2400
50	1.4305 / AISI 304 / FKM	0 - 15	PII 40	860A0000/50/V2F3F 23050	860A0000/50/V2F3F 2400
Spulendurchmesser 100mm coil size 100mm					
65	GG25 / grey cast iron / IIBR	0 - 16	PII 16	860A0000/65/G1F1II 23050	860A0000/65/G1F1II 2400
80	GG25 / grey cast iron / IIBR	0 - 16	PII 16	860A0000/80/G1F1II 23050	860A0000/80/G1F1II 2400
100	GG25 / grey cast iron / IIBR	0 - 10	PII 16	860A0000/100/G1F1II 23050	860A0000/100/G1F1II 2400
125	GG25 / grey cast iron / IIBR	0 - 5	PII 16	860A0000/125/G1F1II 23050	860A0000/125/G1F1II 2400
150	GG25 / grey cast iron / IIBR	0 - 3	PII 16	860A0000/150/G1F1II 23050	860A0000/150/G1F1II 2400
65	GG25 / grey cast iron / EPDM	0 - 16	PII 16	860A0000/65/G1F1E 23050	860A0000/65/G1F1E 2400
80	GG25 / grey cast iron / EPDM	0 - 16	PII 16	860A0000/80/G1F1E 23050	860A0000/80/G1F1E 2400
100	GG25 / grey cast iron / EPDM	0 - 10	PII 16	860A0000/100/G1F1E 23050	860A0000/100/G1F1E 2400
125	GG25 / grey cast iron / EPDM	0 - 5	PII 16	860A0000/125/G1F1E 23050	860A0000/125/G1F1E 2400
150	GG25 / grey cast iron / EPDM	0 - 3	PII 16	860A0000/150/G1F1E 23050	860A0000/150/G1F1E 2400
65	GG25 / grey cast iron / FKM	0 - 16	PII 16	860A0000/65/G1F1F 23050	860A0000/65/G1F1F 2400
80	GG25 / grey cast iron / FKM	0 - 16	PII 16	860A0000/80/G1F1F 23050	860A0000/80/G1F1F 2400
100	GG25 / grey cast iron / FKM	0 - 10	PII 16	860A0000/100/G1F1F 23050	860A0000/100/G1F1F 2400
125	GG25 / grey cast iron / FKM	0 - 5	PII 16	860A0000/125/G1F1F 23050	860A0000/125/G1F1F 2400
150	GG25 / grey cast iron / FKM	0 - 3	PII 16	860A0000/150/G1F1F 23050	860A0000/150/G1F1F 2400
65	GS-C25II / casted steel / IIBR	0 - 25	PII 40	860A0000/65/G2F3II 23050	860A0000/65/G2F3II 2400
80	GS-C25II / casted steel / IIBR	0 - 18	PII 40	860A0000/80/G2F3II 23050	860A0000/80/G2F3II 2400
100	GS-C25II / casted steel / IIBR	0 - 10	PII 40	860A0000/100/G2F3II 23050	860A0000/100/G2F3II 2400
125	GS-C25II / casted steel / IIBR	0 - 5	PII 40	860A0000/125/G2F3II 23050	860A0000/125/G2F3II 2400
150	GS-C25II / casted steel / IIBR	0 - 3	PII 40	860A0000/150/G2F3II 23050	860A0000/150/G2F3II 2400
65	GS-C25II / casted steel / EPDM	0 - 25	PII 40	860A0000/65/G2F3E 23050	860A0000/65/G2F3E 2400

We reserve the right to make modifications and technical updates to these technical data sheets .

Connexion Developments Ltd, Unit 3, Rainbow Court, Armstrong Way, Yate, Bristol, BS37 5NG, England. Company Registration 0352257.
Telephone: +44 (0) 1454 334 990 Fax: +44 (0) 1454 326 390 Email: sales@solenoid-valves.com Web: www.solenoid-valves.world

2/2-Wege Magnetventil 2/2-way solenoid valve

Baureihe 860 Type 860

80	GS-C25H / casted steel / EPDM	0 - 18	PII 40	860A0000/80/G2F3E 23050	860A0000/80/G2F3E 2400
100	GS-C25H / casted steel / EPDM	0 - 10	PII 40	860A0000/100/G2F3E 23050	860A0000/100/G2F3E 2400
125	GS-C25H / casted steel / EPDM	0 - 5	PII 40	860A0000/125/G2F3E 23050	860A0000/125/G2F3E 2400
150	GS-C25H / casted steel / EPDM	0 - 3	PII 40	860A0000/150/G2F3E 23050	860A0000/150/G2F3E 2400
65	GS-C25H / casted steel / FKM	0 - 25	PII 40	860A0000/65/G2F3F 23050	860A0000/65/G2F3F 2400
80	GS-C25H / casted steel / FKM	0 - 18	PII 40	860A0000/80/G2F3F 23050	860A0000/80/G2F3F 2400
100	GS-C25H / casted steel / FKM	0 - 10	PII 40	860A0000/100/G2F3F 23050	860A0000/100/G2F3F 2400
125	GS-C25H / casted steel / FKM	0 - 5	PII 40	860A0000/125/G2F3F 23050	860A0000/125/G2F3F 2400
150	GS-C25H / casted steel / FKM	0 - 3	PII 40	860A0000/150/G2F3F 23050	860A0000/150/G2F3F 2400
65	1.4305 / AISI 304 / EPDM	0 - 25	PII 40	860A0000/65/V2F3E 23050	860A0000/65/V2F3E 2400
80	1.4305 / AISI 304 / EPDM	0 - 18	PII 40	860A0000/80/V2F3E 23050	860A0000/80/V2F3E 2400
100	1.4305 / AISI 304 / EPDM	0 - 10	PII 40	860A0000/100/V2F3E 23050	860A0000/100/V2F3E 2400
125	1.4305 / AISI 304 / EPDM	0 - 5	PII 40	860A0000/125/V2F3E 23050	860A0000/125/V2F3E 2400
150	1.4305 / AISI 304 / EPDM	0 - 3	PII 40	860A0000/150/V2F3E 23050	860A0000/150/V2F3E 2400
65	1.4305 / AISI 304 / FKM	0 - 25	PII 40	860A0000/65/V2F3F 23050	860A0000/65/V2F3F 2400
80	1.4305 / AISI 304 / FKM	0 - 18	PII 40	860A0000/80/V2F3F 23050	860A0000/80/V2F3F 2400
100	1.4305 / AISI 304 / FKM	0 - 10	PII 40	860A0000/100/V2F3F 23050	860A0000/100/V2F3F 2400
125	1.4305 / AISI 304 / FKM	0 - 5	PII 40	860A0000/125/V2F3F 23050	860A0000/125/V2F3F 2400
150	1.4305 / AISI 304 / FKM	0 - 3	PII 40	860A0000/150/V2F3F 23050	860A0000/150/V2F3F 2400

2/2-Wege Magnetventil
2/2-way solenoid valve

Baureihe 860
Type 860

Typenschlüssel

type code

Die Typenbezeichnung setzt sich zusammen aus:
structure of the order specification:

