

Media: air – water
 Pressure range: 0 to 16 Bar max
 Ambient temp: -20°C to +80°C
 Media viscosity: 500 centistokes max
 Mounting: any position
 Wafer pattern: PN6, 10, 16, ANSI150Lb
 Compressed air supply: 10 Bar
 ISO5211, DIN3337, VD+VDE3845
 Namur + ¼ BSP(G)



WRAS Butterfly Valve

DN40 – DN200 (1 1/2 – 8 inch)

Single + Double Acting

Air Actuated Butterfly Valve

0 – 16 Bar

TYPE AABFLYWW



Spring Return

Ø Port	Actuator	Pressure (Bar)		Valve Torque Water		ISO5211 Mount	Drive mm		Part Number
		Min	Max	10 Bar	16 Bar		Act	Valve	
DN40	63AR	0	16	13	14	F05/F07	14	11	AABFLYWW40AR
DN50	63AR	0	16	13	14	F05/F07	14	11	AABFLYWW50AR
DN65	63AR	0	16	16	18	F05/F07	14	11	AABFLYWW65AR
DN80	75AR	0	16	23	24	F05/F07	14	11	AABFLYWW80AR
DN100	92AR	0	16	39	42	F07	17	14	AABFLYWW100AR
DN125	105AR	0	16	61	66	F07	22	14	AABFLYWW125AR
DN150	125AR	0	16	100	109	F07	22	14	AABFLYWW150AR
DN200	140AR	0	16	183	204	F10	27	22	AABFLYWW200AR

Double Acting

DN40	63DA	0	16	13	14	F05/F07	14	11	AABFLYWW40DA
DN50	63DA	0	16	13	14	F05/F07	14	11	AABFLYWW50DA
DN65	63DA	0	16	16	18	F05/F07	14	11	AABFLYWW65DA
DN80	63DA	0	16	23	24	F05/F07	14	11	AABFLYWW80DA
DN100	75DA	0	16	39	42	F07	14	14	AABFLYWW100DA
DN125	92DA	0	16	61	66	F07	17	14	AABFLYWW125DA
DN150	105DA	0	16	100	109	F07	22	14	AABFLYWW150DA
DN200	125DA	0	16	183	204	F10	22	22	AABFLYWW200DA

OPTIONS

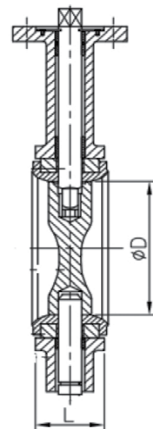
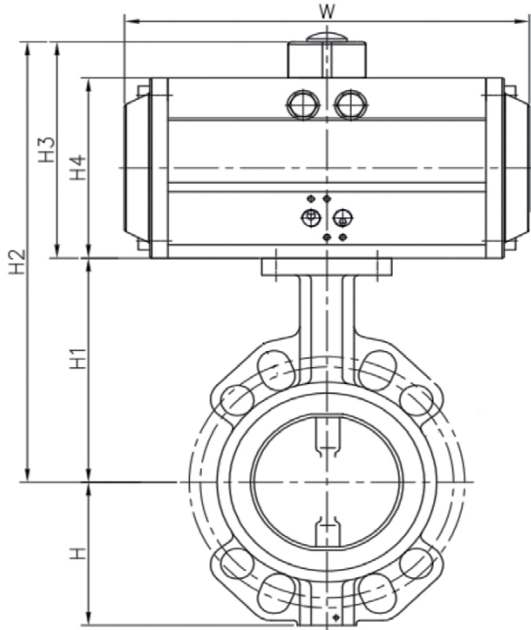
Namur solenoid valve (CY525S single acting)
 Namur solenoid valve (CY525D double acting)
 AABV-Switch Box IP67 open + closed position feed back
 Other sizes and materials of construction, with hand lever or hand wheel + gear box

CONSTRUCTION

Valve: Ductile iron epoxy coated, disc ASTM A351-CF8M, stem SS416, Liner EPDM, wafer pattern BS10 Table D+E + PN6/10/16
 Actuator: Hard anodised aluminium extruded alloy, end caps die cast aluminium epoxy coated, springs high tensile steel

OVERALL DIMENSIONS

Size	L	OD	H	H1	H2 DA	H2 SR	H3 DA	H3 SR	H4 DA	H4 SR	W DA	W SR	KG DA	Kg SR	DA	SR	
DN40	11/2	33	42.3	65	135	260	260	113	113	87.6	87.6	181	181	4.17	4.25	63	63
DN50	2	43	52.9	80	140	265	265	113	113	87.6	87.6	181	181	4.17	4.37	63	63
DN65	2 1/2	46	64.5	89	150	275	287	113	125	87.6	99.4	181	207	4.47	5.97	63	75
DN80	3	46	78.8	95	158	283	295	113	125	87.6	99.4	181	207	4.87	7.17	63	75
DN100	4	52	104	114	176	313	331	125	143	99.4	117	207	258	7.27	10.67	75	92
DN125	5	56	123.3	127	190	336.5	360.5	143	158.5	108.9	133	213	287	9.65	14.93	92	105
DN150	6	56	155.6	139	212	367	404.5	158.5	180.5	117	154.4	258	342.5	13.15	19.93	105	125
DN200	8	60	202.5	175	235	431.5	451	180.5	200	154.4	173.7	342.5	411	23.08	38.28	125	140
DN250	10	68	250.5	203	265	481	627	200	258	173.7	232.3	411	544	34	72.8	140	190
DN300	12	78	301.6	242	305	545	670	224	284	198	257.6	488	580	49.1	93.7	160	210



Item	Description	Material
1	Body	Ductile Iron
2	Disc	ASTM A351-CF8M
3	Seat	WRAS EPDM
4	PIN	SS316
5	Stem	SS416
6	Long Bushing	Fibre Reinforced Plastic
7	O Ring	NBR
8	Short Bushing	Fibre Reinforced Plastic

