

Media: air – water – liquid - vacuum
 Pressure range: 0 to 10 Bar max
 Media temperature: +2°C to +90°C max
 Ambient temperature: +2°C to +60°C
 Mounting: Any (Except upside down)
 Cycles: 70,000
 Fully Open to Fully Closed: 12 Seconds
 Duty cycle: 100%
 Accuracy: 1.2° (75 steps 0 to 90°)
 Mounting: ISO5211 F03 + F05

Actuated UPVC Ball Valve

1/2 – 2 BSP MODULATING

4-20mA, 0-10 volt or 0-5 volt 0 – 10 Bar

TYPE ABVP/9M



PRESSURE

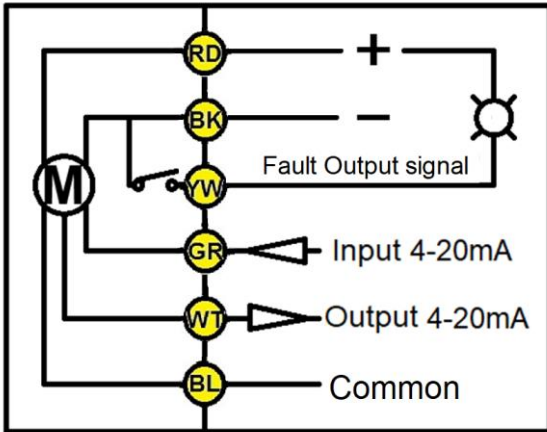
Port BSP	Orifice mm	Pressure (Bar) ΔP		Modulating Control	Control	Seal	Part Number
		Min	Max				
1/2	15	0	10	Supply voltage: 12 to 24vDC Control signal 4-20mA (Optional 0-5 volt or 0-10 volt)	4-20mA	EPDM (PE) FKM (PV)	ABV04PE/9M420
3/4	20	0	10				ABV06PE/9M420
1	25	0	10				ABV08PE/9M420
1 1/4	32	0	10				ABV12PE/9M420
1 1/2	40	0	10				ABV14PE/9M420
2	50	0	10				ABV20PE/9M420

OPTIONS

Visual Position Indicator, position feedback, status output, EPDM seals and 4-20mA Control
 FKM valve sealing, Control 0-5 volt (/9M05) or 0-10 volt (/9M010) control **Included**

ELECTRICAL DATA

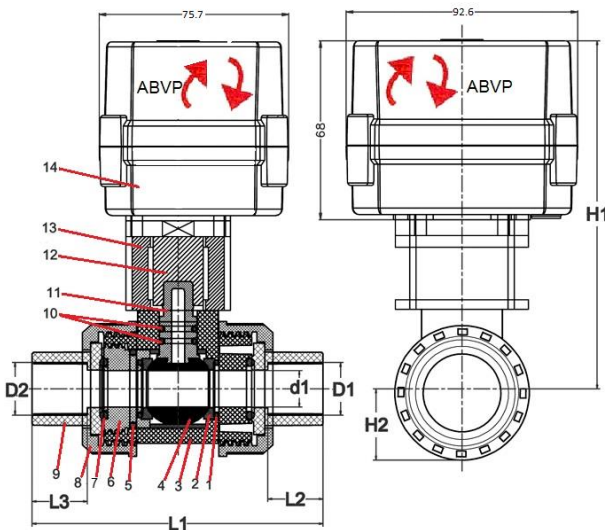
Continuous duty 100% Fully Open to Fully Closed 12 seconds	Torque	Power	Enclosure	Electrical connections
	15 Nm (20Nm break)	10 Watt, 1 Amp (Max)	IP67	0.5 meter cable Option 3 meter



Modulating Control

Connect Power Red & Negative Black (12-24VDC)
 Status signal Yellow 3.3v = OK, 0v = Fault
 Input +ve signal 4-20mA Green, (optional 0-5v or 0-10v)
 Output +ve signal 4-20mA White
 Blue Common -ve signal
 Accuracy 1.2°
 (75 positions between Fully Open and Fully Closed)

OVERALL DIMENSIONS



Port G	L1	L2/L3	H1	H2	Kg
1/2	107	22.3	130	27	0.88
3/4	115	25.5	134.5	32	0.88
1	129	28.6	146.3	37	1.08
1 1/4	144	32	156.8	42	1.45
1 1/2	161	35	163.6	49	1.58
2	173	38	179.6	59	1.9

1	O Ring	EPDM or FKM
2	Sealing	PTFE
3	Body	UPVC
4	Ball	UPVC
5	O Ring	EPDM or FKM
6	Bonnet	UPVC
7	O ring	EPDM or FKM
8	Gland	UPVC
9	Socket	UPVC
10	O Ring	EPDM or FKM
11	Stem	UPVC
12	Adaptor	304 Stainless
13	Adaptor	304 Stainless
14	Actuator	PPA6