

Media: air – water
 Pressure range: 0 to 10 Bar max
 Media temp: 0°C to +90°C max
 Ambient temperature: -15°C to +60°C
 Mounting: Any (except upside down)
 Cycles: 70,000
 Fully Open to Fully Closed: 12 secs
 Duty cycle: 100%
 Accuracy: 1.2° (75 steps 0 to 90°)
 WRAS certificate number 2010303

Actuated WRAS Ball Valve

1 1/4 – 2 BSP MODULATING

4-20mA, (Optional 0-5 Volt or 0-10 Volt)

2 Way 0 – 10 Bar TYPE ABV9M



PRESSURE

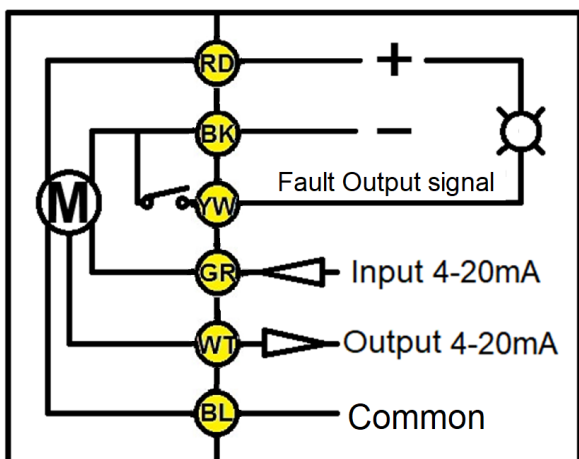
Port BSP	Orifice mm	Pressure (Bar) ΔP		Modulating Control	Control	Part Number
		Min	Max			
1 1/4	32	0	10	Supply voltage: 12 to 24vDC Control 4-20mA (Options 0-5 volt or 0-10 volt) <i>Accuracy 1.2° (75 positions between open + closed)</i>	4-20mA	ABV12S/9M-420
					0-5 volt	ABV12S/9M-05
					0-10 volt	ABV12S/9M-010
1 1/2	38	0	10		4-20mA	ABV14S/9M-420
					0-5 volt	ABV14S/9M-05
					0-10 volt	ABV14S/9M-010
2	50	0	10		4-20mA	ABV20S/9M-420
					0-5 volt	ABV20S/9M-05
					0-10 volt	ABV20S/9M-010

OPTIONS

Visual Position Indicator manual over ride	Included
--	-----------------

ELECTRICAL DATA

Duty 100% Fully Open to Fully Closed 12 seconds	Torque	Power	Enclosure	Electrical connections
	15 Nm (20NM Break)	10 Watt Max 1 Amp Max	IP67	Cable 0.5 meter or 3MTR



Modulating Control

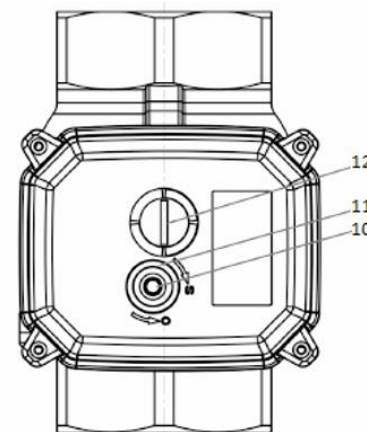
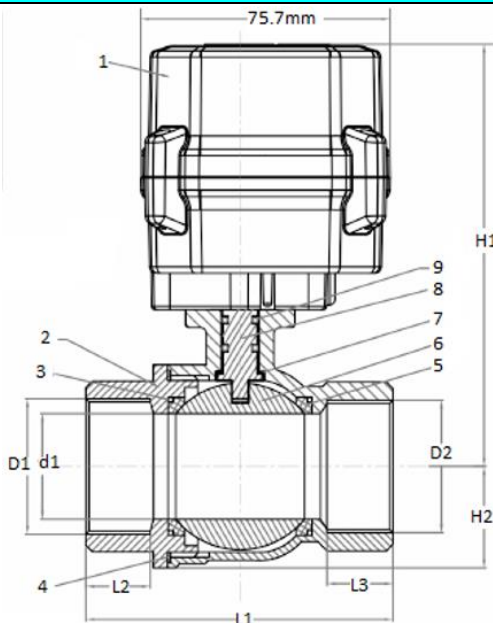
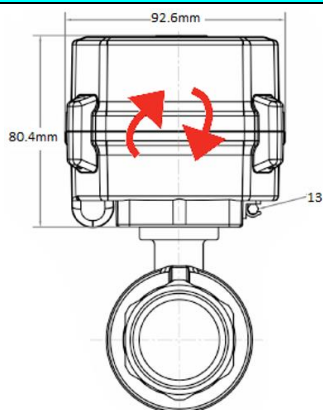
Connect Power Red & Negative Black (12-24vDC)
 Status signal Yellow 3.3V = OK, no voltage = Fault
 Input +ve signal 4-20mA Green, (optional 0-5v or 0-10v)
 Output +ve signal 4-20mA White
 Blue Common -ve signal

*Accuracy 1.2°
(75 positions between open + closed)*

CONSTRUCTION

Valve Body: 304 stainless steel, Seals WRAS EPDM + PTFE, ABV Actuator: ABS Engineering Plastic, Gears Metal

OVERALL DIMENSIONS



1	Actuator	PPO	8	Stem	Stainless
2	Cover	Stainless	9	O Ring	FKM
3	O Ring	FKM	10	Screw	Stainless
4	Seal	PTFE	11	O Ring	NBR
5	Seal	PTFE	12	Indicator	PC
6	Ball	Stainless	13	Allen Key	Steel
7	Gasket	PTFE			

Port	Bore D1	L1	L2 / L3	E1	H1	H2
1 1/4	32	102	23	47	122	31
1 1/2	38	115	25	52	130	36
2	50	130	25	66	141.4	44.5