

Media: air – water – gas – oil
 Pressure range: 0 to 40 Bar max
 Media temp: -15°C to +90°C max
 Ambient temp: -15°C to +60°C
 Mounting: Any (Except upside down)
 Cycles: 70,000
 Seals: PTFE/FKM
 Fully Open to Fully Closed: 12 Sec
 Duty cycle: 100%
 Accuracy: 1.2° (75 steps 0 to 90°)

Actuated WRAS Ball Valve

1/2 – 1”
 MODULATING
 4-20mA, 0-5 or 0-10 volt
 TYPE ABVW/9M



PRESSURE

Ø Port BSP	Orifice (mm)	Pressure (Bar) ΔP		Modulating Control Supply voltage: 12 to 24vDC	Control	Part Number
		Min	Max			
1/2	15	0	40	Control signal 4-20mA	4-20mA	ABV04W/9M-420
3/4	20	0	40			ABV06W/9M-420
1	25	0	40			ABV08W/9M-420
1/2	15	0	40	Control Signal 0 to 10 volts	0-10v	ABV04W/9M-010
3/4	20	0	40			ABV06W/9M-010
1	25	0	40			ABV08W/9M-010
1/2	15	0	40	Control Signal 0 to 5 volts	0-5v	ABV04W/9M-05
3/4	20	0	40			ABV06W/9M-05
1	25	0	40			ABV08W/9M-05

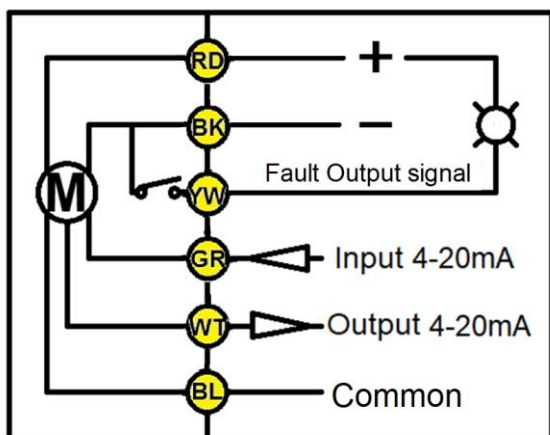
OPTIONS

Basic actuator, Visual Position Indicator, Manual Over Ride, 2x volt free open + closed feedback + Anti-condensation heater
 NPT thread, failsafe or open/close control

Included
TBA

ELECTRICAL DATA

Continuous Duty 100% Full Open to Full Closes 12 seconds	Torque	Power	Enclosure	Electrical connection
		15 NM (20NM Break)	12-24vDC 10 Watts, 1 Amp (Max)	IP67



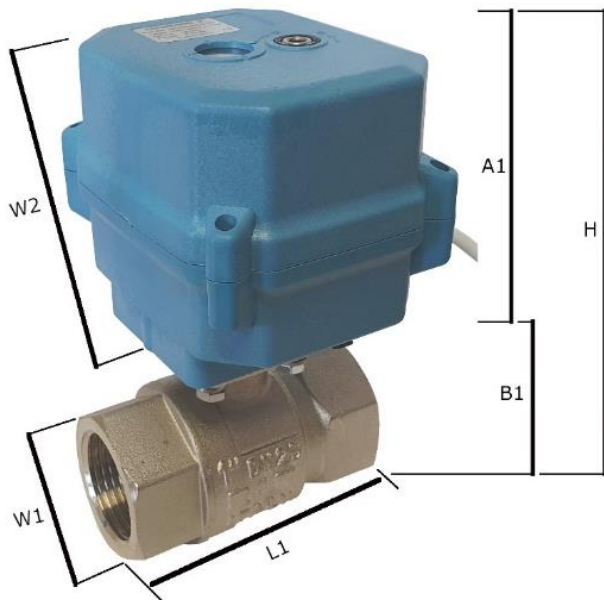
Modulating Control

Connect Power Red & Negative Black (12-24vDC)
 Status signal Yellow 3.3v = OK, 0v = Fault
 Input +ve signal 4-20mA Green, (optional 0-5v or 0-10v)
 Output +ve signal 4-20mA White
 Blue Common -ve signal
 Accuracy 1.2°
 (75 positions between open + closed)

CONSTRUCTION

Ball valve: Brass CW617N nickel plated, Stem seals Viton, Seats PTFE, WRAS cert 1702052
Actuator: Housing Strong PPO Plastic, Mount ISO5211 F03+F05, Drive 11x11mm or 9x9mm, All Gears Metal, Rotation 90° +/- 2%

OVERALL DIMENSIONS



Port	A1 (mm)	B1 (mm)	H (mm)	L1 (mm)	W1 (mm)	W2 (mm)
1/2	79	46	127	59	33	92
3/4	79	57	138	68	41	92
1	79	70	146	83	50	92