

Media: air – water – gas – liquid  
 Pressure range: 0 to 10 Bar max  
 Media temp: +2°C to +90°C max  
 Ambient temperature: -15°C to +50°C  
 Media viscosity: 500 centistokes max  
 Duty cycle: 70,000  
 Mounting: Any (Except upside down)  
 Seals: EPDM/PTFE or FKM/PTFE  
 Mounting: Any (Except upside down)  
 Fully Open to Fully Closed: 12 Secs  
 Accuracy: 1.2° (75 steps 0 to 90°)

# UPVC Ball Valve

1/2 – 2 True Union  
 Modulating  
 3 Way T + L PORT  
 0 – 10 Bar  
**TYPE ABV-P3TL/9M**



## PRESSURE

Ø Port BSP	Orifice mm	Pressure (Bar) ΔP		Supply Voltage	Modulating Control	Part Number
		Min	Max			
1/2	15	0	10	12vDC to 24vDC	4-20mA  Optional 0-10 Volt Or 0-5 volt	ABV04PE3T/9M-420
3/4	20	0	10			ABV06PE3T/9M-420
1	25	0	10			ABV08PE3T/9M-420
1 1/4	32	0	10			ABV12PE3T/9M-420
1 1/2	40	0	10			ABV14PE3T/9M-420
2	50	0	10			ABV20PE3T/9M-420

## OPTIONS

Visual Position Indicator, Manual Override  
 T Port flow directions D standard, options A, B and E or L Port (P3EL), as below  
 Seals PTFE/FKM (PV3T) or Metric solvent socket (SW)

Included  
 Included  
 Included

## ELECTRICAL DATA

Continuous Duty 100% Fully Open to Fully Closed is 12 seconds	Torque	Power	Enclosure	Connection
		15NM (20NM Break)	12-24vDC 10 Watts 1 Amp Max	IP67

**Modulating Control**

Connect Power Red & Negative Black (12-24vDC)

Status signal Yellow 3.3V = OK, no voltage = Fault

Input +ve signal 4-20mA Green, (optional 0-5v or 0-10v)

Output +ve signal 4-20mA White

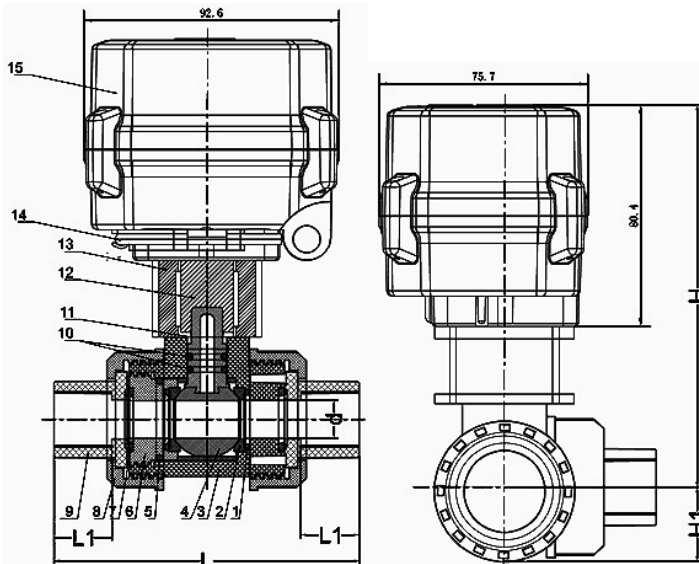
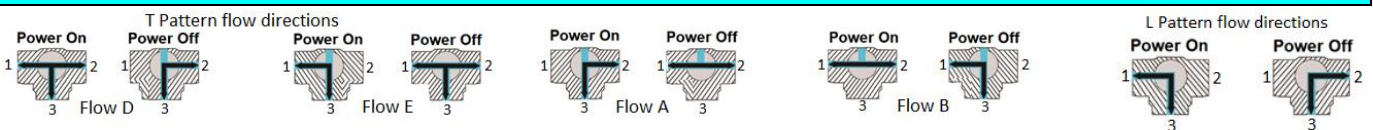
Blue Common -ve signal

Accuracy 1.2°  
(75 positions between open + closed)

## CONSTRUCTION

Valve Body: UPVC, Ball UPVC, Seals EPDM + PTFE, ABV Actuator: ABS Engineering Plastic, Gears Metal

## OVERALL DIMENSIONS



Port	d	L	L1	H	H1	Kg
1/2	14	137	22	133.4	30	1
3/4	22	172	24.5	145.4	38.5	1.5
1	25	200	28	148.4	46	2
1 1/4	25	208	32	148.4	46	2
1 1/2	38	240	35	172.4	65	3.3
2	38	246	38	172.4	65	3.4

No	Name	Material
1	O Ring	EPDM / FKM
2	Sealing	PTFE
3	Valve body	UPVC
4	Ball	UPVC
5	O Ring	EPDM / FKM
6	Bonnet	UPVC
7	O Ring	EPDM / FKM
8	Gland	UPVC
9	Socket	UPVC
10	O Ring	EPDM / FKM
11	Stem	UPVC
12	Coupling	304 Stainless
13	Mounting bracket	PA
14	Allen Key (Overdrive)	304 Stainless
15	Actuator	PPO