

Media: air – water – gases – liquid  
 Pressure range: 0 to 10 Bar max  
 Media temperature: -15°C +100°C max  
 Ambient temperature: -15°C to +50°C  
 Media viscosity: 500 centistokes max  
 Duty cycle: 100,000  
 Mounting: Any  
 Seals: PTFE/ FKM

# Actuated Ball Valve

1/4 – 1  
 3 WAY Brass L + T Ported  
 0 – 10 Bar  
 TYPE ABVMB3TL



### PRESSURE

Ø Port BSP	Orifice mm	Operating Time Seconds	Pressure Rating (Bar) ΔP		Voltage	Part Number
			Min	Max		
1/4	6	5	0	10	9 to 24v AC or DC	ABVM02B3(L or TA, B, D or E)/9AR
					110 to 240vAC	ABVM02B3(L or TA, B, D or E)/2AR
3/8	6	5	0	10	9 to 24v AC or DC	ABVM03B3(L or TA, B, D or E)/9AR
					110 to 240vAC	ABVM03B3(L or TA, B, D or E)/2AR
1/2	12	5	0	10	9 to 24v AC or DC	ABVM04B3(L or TA, B, D or E)/9AR
					110 to 240vAC	ABVM04B3(L or TA, B, D or E)/2AR
3/4	15	5	0	10	9 to 24v AC or DC	ABVM06B3(L or TA, B, D or E)/9AR
					110 to 240vAC	ABVM06B3(L or TA, B, D or E)/2AR
1	18	5	0	10	9 to 24v AC or DC	ABVM08B3(L or TA, B, D or E)/9AR
					110 to 240vAC	ABVM08B3(L or TA, B, D or E)/2AR

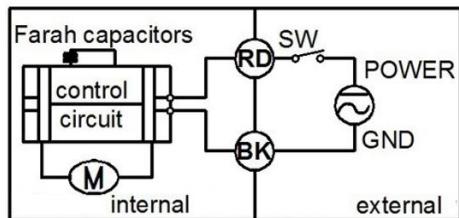
### OPTIONS

Visual Position Indication, Failsafe (2 wire) or Power Open/Close (3-wire), L or T Ported (T port 4 configuration options A, B, D or E)  
 Manual Over Ride (Lift + Turn +MO) 9-24 volt only.  
 3 wire control (power open and power close – stay put with power off)  
 Fully Open and fully closed position volt free feedback switches (+E2)

Included

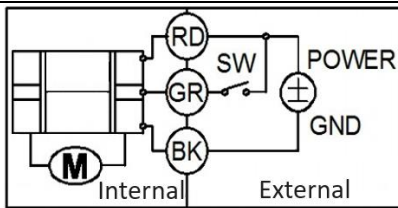
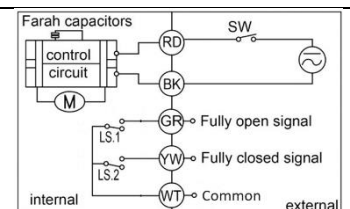
### ELECTRICAL DATA

Voltage Min - Max Continuous Duty 100%	Actuator		Power			Enclosure	Electrical connections
	Model	Torque	Start (Peek)	Moving	Holding		
9 to 24 volts AC 50/60Hz or DC	ABVM	2 Nm	2 Amp	5 Watts	0.22 Watts	IP67	0.5 meter lead wires 3 meter lead wires
110 to 240 volts AC 50/60Hz			0.5 Amp		0.6 Watts		

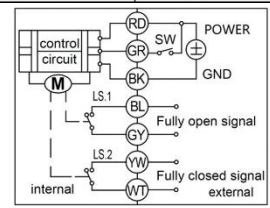


**Failsafe Control.**  
 Power ON motor actuates valve into powered position and then automatically powers off. Valve stays in powered position.  
 Power OFF motor actuates valve back to start position using reserve power. Valve stays in start position.  
**Requires 30 seconds power On to recharge the Farah capacitors.**

#### With Position Feed Back Switches



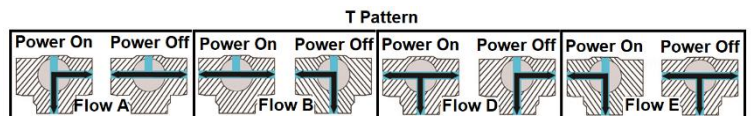
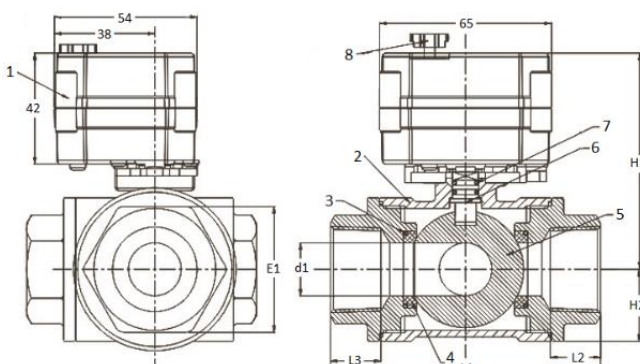
**3 Wire Control**  
 Power ON to GREEN motor actuates valve into powered position and then automatically powers off. Valve stays in powered position.  
 Power OFF to GREEN motor actuates valve back to start position and then automatically powers off. Valve stays in start position.



### CONSTRUCTION

Valve Body: Brass, Seals: FKM & PTFE Floating no leakage design  
 ABVM Actuator: ABS Engineering Plastic, Gears Metal

### OVERALL DIMENSIONS



Port	d	L1	L2/L3	E1	H1	H2
1/4	6	51	11	20.2	66	11
3/8	6	51	11	20.2	66	11
1/2	12	70	16	27	72	17
3/4	15	75	16	31	76.5	20.5
1	18	85	17	38	78	22.5

No.	Description	Material
1	Actuator	ABS
2	Body Cover	Brass
3	O Ring	FKM
4	Sealing	PTFE
5	Ball	SS304
6	Stem	Brass
7	O Ring	FKM