

MOTOR ACTUATED UPVC BALL VALVE ABVP04-20

FEATURES

The UPVC double union full bore 2-way ball valve ABV04-20P provides the automatic shut-off function for pipeline systems for water and corrosive fluids and gases. It is CE, UKCA, PED, EMC and RoHS approved. The ISO 5211, F03, F05 actuator saves space and time and has a 12 month guarantee up to 70,000 operations (Our in house 1 minute cycle dry destruction test achieved 977,762 cycles) and are IP67 protected for installation indoors or outdoors under shelter. Optional Failsafe Return via capacitor and precise modulating control (4-20mA, 0-10v or 0-5v).

AVAILABLE MODELS

UPVC Body, Ball + Stem

G thread connections (option metric socket)

EPDM/PTFE or FKM/PTFE

Power Open/Power Close, Failsafe or Modulating Control 4-20mA or 0-10v

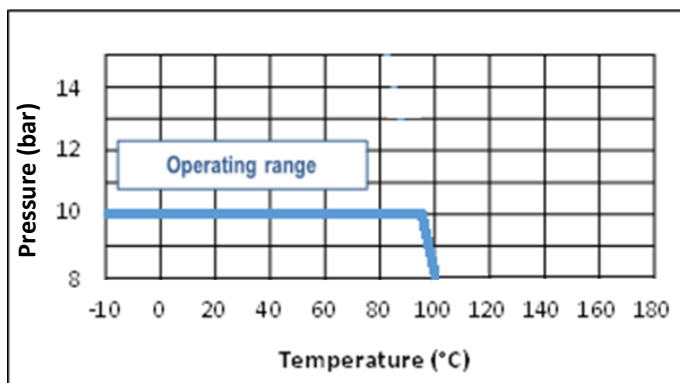
Port Sizes: 1/2, 3/4, 1, 1 1/4, 1 1/2 and 2 inch.

Supply voltages: 12-24vDC and 110-240vAC.



LIMITS OF USE

Media Pressure:	10 Bar
Media Temperature:	+2°C to +90°C
Ambient Temperature:	+2°C to +60°C
Duty Cycle	100 %
Actuation Time Fully Closed – Fully Open	11 Seconds Max



DIRECTIVES AND MANUFACTURING STANDARDS

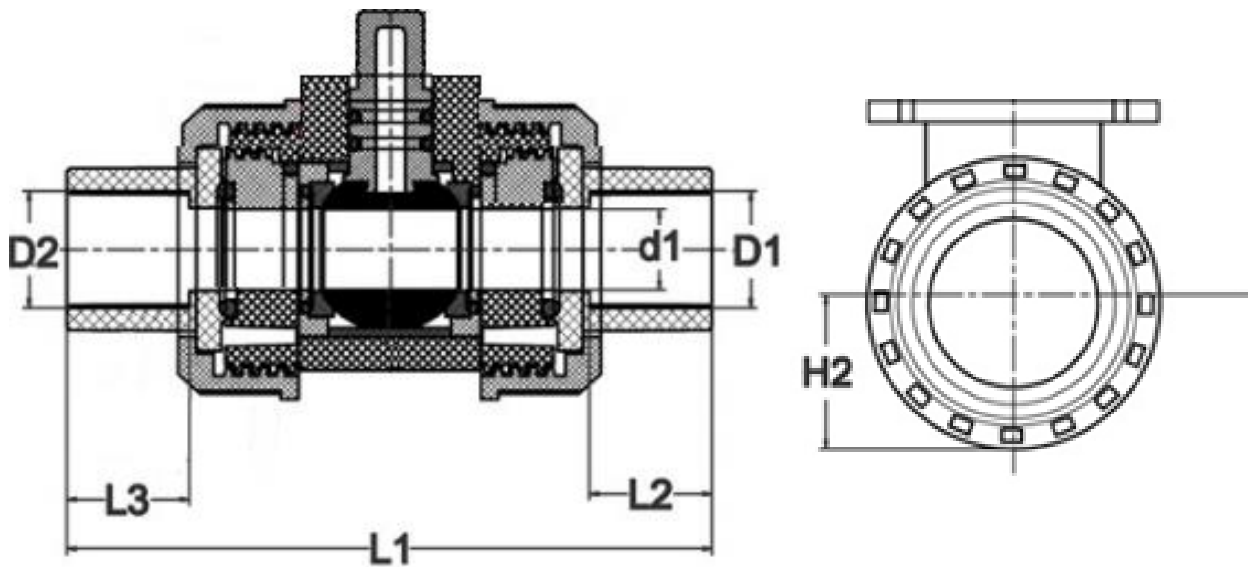
ISO5211 standard F03, F05	EMC Electromagnetic compatibility Test standards, EN55032-2015, EN55035-2017, EN61000-3-2:2014, EN61000-3-3:2013
Pressure Equipment Directive 2014/68/EC	
Low voltage directive 2014/35/EU	
IP67 test standards EN60529:1991+A1:2001	CE approval test standards EN61000-6-3:2007 +A1:2011, EN61000-6-1:2007
	RoHS Directive 2011/65/EU recasting 2002/95/EC

MOTOR ACTUATED UPVC BALL VALVE ABVP04-20

CONSTRUCTION

No.	Name	Material	No.	Name	Material
1	O Ring	EPDM or FKM	7	O Ring	EPDM or FKM
2	Sealing	PTFE	8	Gland	UPVC
3	Body	UPVC	9	Socket	UPVC
4	Ball	UPVC	10	O Ring	EPDM or FKM
5	O Ring	EPDM or FKM	11	Stem	UPVC
6	Bonnet	UPVC			

DIMENSIONS (mm)



Port D1/D2	1/2 BSP	3/4 BSP	1 BSP	1 ¼ BSP	1 ½ BSP	2 BSP
L1	107	115	129	144	161	173
L2/L3	22.3	25.5	28.6	32	35	38
H1	130	134.5	146.3	156.8	163.6	179.6
H2	27	32	37	42	49	59

MOTOR ACTUATED UPVC BALL VALVE ABVP04-20

ABV04P-ABV06P-ABV08P-ABV12P-ABV14P-ABV20P ELECTRIC MOTOR ACTUATOR

The ABV motor actuator proposed as standard comprises:

- IP67 plastic housing for actuator and steel gear box.
- a safety coefficient of 1.3 minimum compared to the nominal torque of the valve.
- an upstream / downstream pressure difference $\Delta P=10$ bar max.
- Thermal protection of the motor.
- The actuator's assembly is ISO5211 direct mount with bracket.

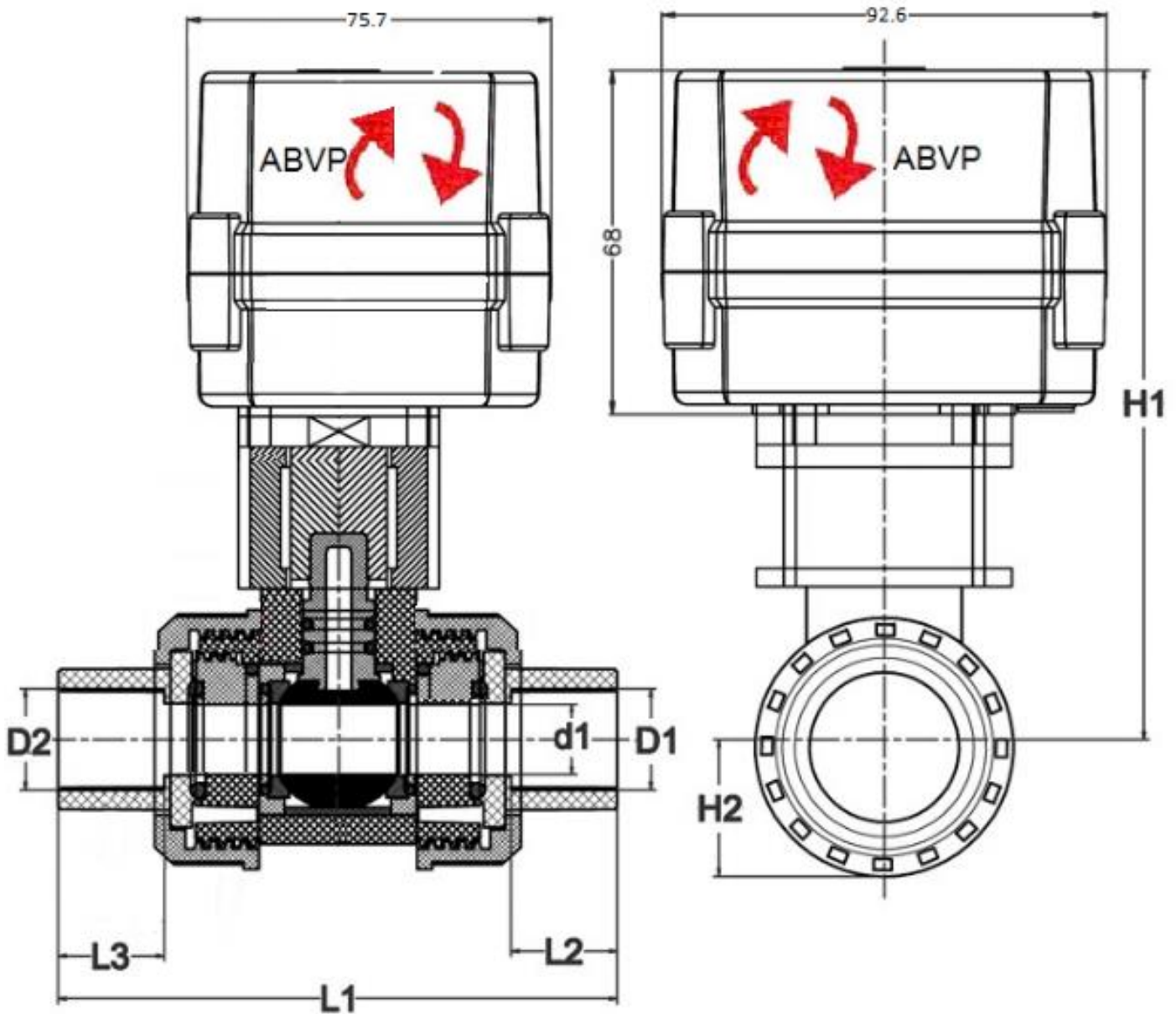
Power consumption with mains water 20°C at 4 Bar Pressure

Voltage	Actuator Function	Torque NM	Power			Position switches Max applied Voltage / Current	Standard Equipment
			Start	Operating Watts	Static Watts		
12vDC	Failsafe	27	3.3A	9.96W	0.18	36vDC / 0.4A	2-wire control with failsafe capacitor return (Min 30sec recharging required) 2x limit switches
24vDC	Failsafe	24.1	1.2A	10.32	0.288	36vDC / 0.4A	2x dry auxiliary contacts Manual override with Allen key Position visual indicator
110-240vAC	Failsafe	21.9	125mA	10.19	0.5	240v / 0.4A	Anti-condensation heater Electrical connection: 1 x PE M12 + 0.5m cable (Optional 3 meter)
12vDC	Power Open/Close	25.5	2.5A	2.1	0.06	36vDC / 0.4A	2-wire +1 control wire to open or close 2x limit switches
24vDC	Power Open/Close	26	1.2A	2.008	0.192	36vDC / 0.4A	2x dry auxiliary contacts Manual override with Allen key Position visual indicator
110-240vAC	Power Open/Close	16.3	90mA	2.29	0.4	240v / 0.4A	Anti-condensation heater Electrical connection: 1 x PE M12 + 0.5m cable (Optional 3 meter)

For any other operating conditions, please contact us.

MOTOR ACTUATED UPVC BALL VALVE ABVP04-20

ASSEMBLED VALVE DIMENSIONS (mm)



Description	Port	L1	L2/L3	H1	H2	Kg
ABV04P	1/2	107	22.3	130	27	0.8
ABV06P	3/4	115	25.5	134.5	32	0.88
ABV08P	1	129	28.6	146.3	37	1.04
ABV12P	1 1/4	144	32	156.8	42	1.46
ABV14P	1 1/2	161	35	163.6	49	1.45
ABV20P	2	173	38	179.6	59	1.88

MOTOR ACTUATED UPVC BALL VALVE ABVP04-20

FEATURES

The ultra-compact ABV electric actuator is intended for electric actuation for on/off control with ¼ turn (90 degree) for valves with a torque of a 16.3 to 27 Nm. Power is supplied via 2 wires for failsafe return via capacitor or 3 wire control for power open / power close function. With a compact construction and strong ABS plastic housing, low power low heat and multi voltage technology it is ideally suited for motor actuation for small and medium diameter ball valves and has IP67 ingress protection for indoor use and possibly outdoors under shelter.

AVAILABLE MODELS

Power Open/Power Close, Failsafe or Modulating Control

Supply voltages: 12-24vDC and 110-240vAC

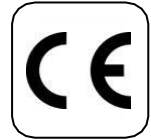
LIMITS OF USE

IP Ingress Protection	IP 67
Ambient Temperature	-15°C to +60°C
Cycle Duty	100%



MECHANICAL FEATURES

Gear Box	Treated steel pinions	
Torque	16.3 to 27 Nm	
Angle of rotation	90° +/- 2°	
Operating time	11 seconds maximum	
ISO 5211:	F03 / F05 – star 11.4mm	
Declutching	Without	
Override control	Using a hex key	
Weight	1.000 kg	



ELECTRICAL FEATURES

Starting Power	230vAC: 125mA	12vDC: 3.3A
Overheating	Thermal protection	
Limit switches	2 adjustable switches	
Auxiliary switches	2 dry contacts	
Anti-condensation	Included	
Electrical connection	PE M12 + 0.5-meter cable, Optional 3 meter or longer	

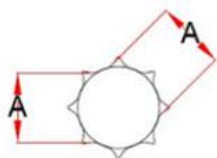
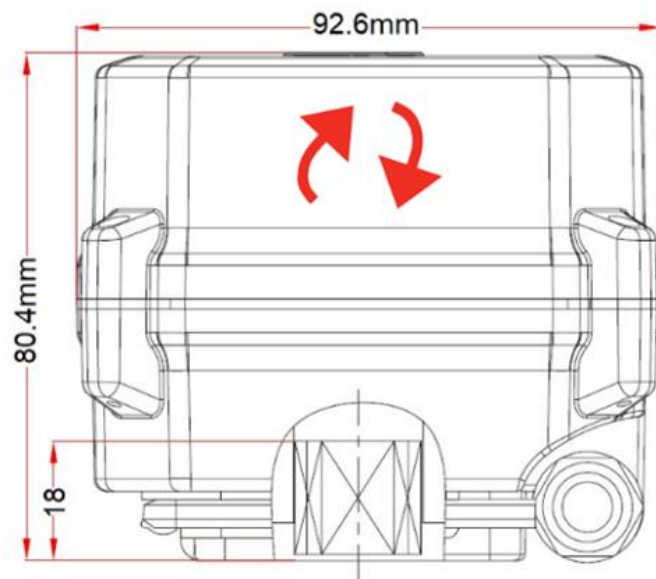
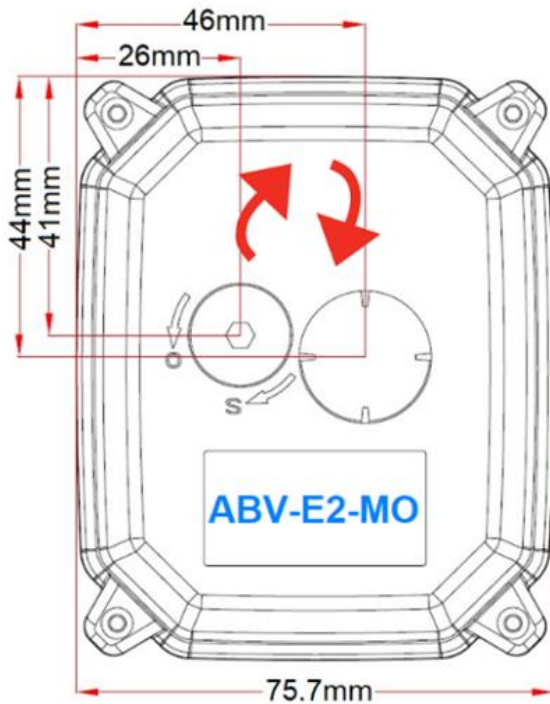


MOTOR ACTUATED UPVC BALL VALVE ABVP04-20

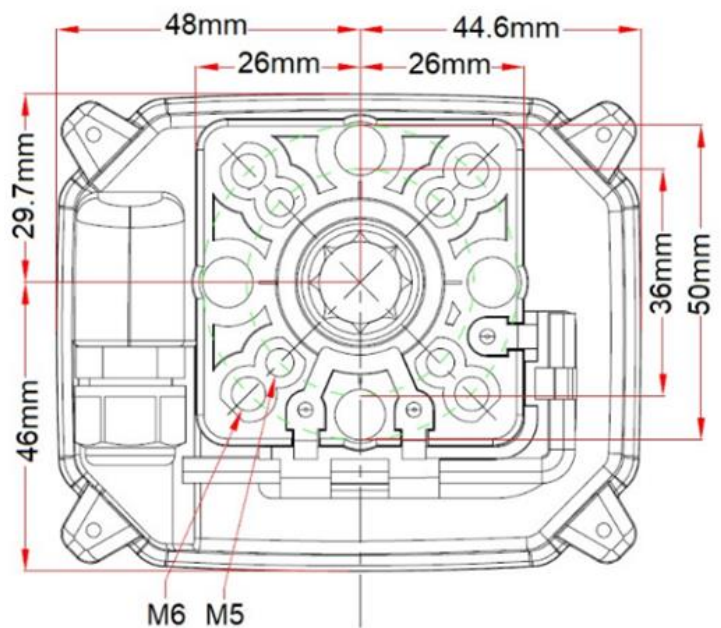
CONSTRUCTION

Housing	PA Plastic	Limit switch A	Steel
Gear box	Treated steel	Limit switch B	Steel
ISO mounting pad	Stainless Steel	Condenser	
Limit cams	Stainless Steel	Position indicator	

ACTUATOR DIMENSIONS (mm)



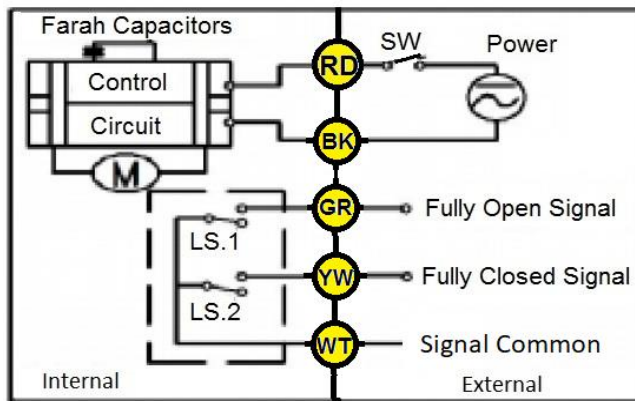
A 11.4mm
Depth 18mm



MOTOR ACTUATED UPVC BALL VALVE ABVP04-20

WIRING DIAGRAM - FAILSAFE RETURN

Wire Colour	Wiring	
RD	Red	+ve Power
BK	Black	-ve Power
GR	Green	Auxiliary switch "Open"
YW	Yellow	Auxiliary switch "Closed"
WT	White	Common contact

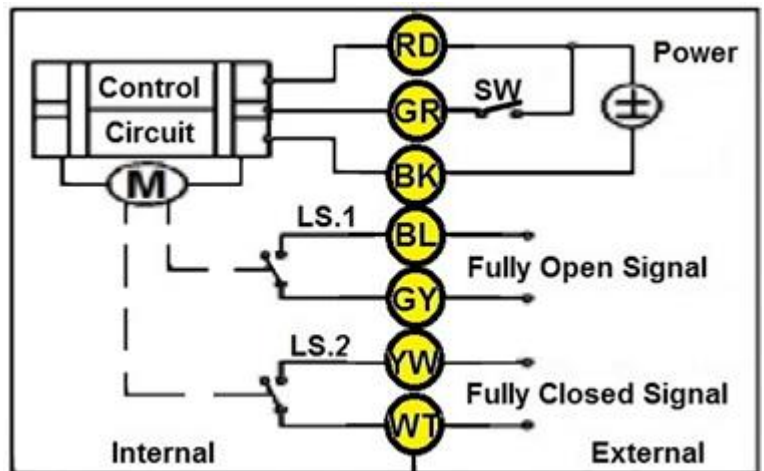


Failsafe Control: Power ON valve moves then Power OFF valve returns to start position.

Failsafe requires 30 second Power On after moving to recharge the Farah capacitors.

WIRING DIAGRAM POWER OPEN / CLOSE

	Wire Colour	Wiring
RD	Red	+ve Power
GR	Green	Power valve opens Remove power valve closes
BK	Black	-ve Power
BL	Blue	Auxiliary switch "Open"
GY	Grey	Auxiliary switch "Open"
YW	Yellow	Auxiliary switch "Closed"
WT	White	Auxiliary switch "Closed"



3 Wire Control: Connect Power Red & Negative Black

Power to Green - Valve moves, remove power from Green - Valve Returns.

SWITCH SETTING

The cams are attached to the drive stem.

Clockwise rotation = valve closing. The micro-switch stops the actuator.

Anti-clockwise rotation = valve opening. The micro-switch stops the actuator.