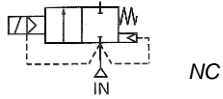


Media: High vacuum -101kPa
 Pressure range: -101kPa to 10 Bar max
 Media temperature: 120°C max
 Ambient temperature: -20°C to +60°C max
 Mounting: coil upright
 Opening / Closing Time: 50 mSec Max



2/2 Brass

3/8 – 2

NORMALLY CLOSED 2 WAY ZERO RATED HIGH VACUUM TYPE AD-14/50-V



PRESSURE

Ø Port BSP	Ø Orifice (mm)	Flow Cv Value	Vacuum Rating			Seals	Max Media Temp. °C	Part Number
			Min	Max AC	Max DC			
3/8	15	4.5	-101kPa Relative 757.56 mmHg 99.67% Vacuum	10	7	FKM	120	AD-14-V-G2-V + voltage
1/2	15	4.5		10	7	FKM	120	AD-15-V-G2-V + voltage
3/4	20	9.3		10	7	FKM	120	AD-20-V-G2-V + voltage
1	25	13.2		10	7	FKM	120	AD-25-V-G2-V + voltage
1 1/4	35	26		10	7	FKM	120	AD-35-V-G2-V + voltage
1 1/2	35	26		10	7	FKM	120	AD-40-V-G2-V + voltage
2	51	48		7	5	FKM	120	AD-50-V-G2-V + voltage

OPTIONS

WPG2 IP68 (EN60529:1991+A1:2000) UL & CSA approved coil + IP67 LED connector DIN 43650A NPT Thread
 Manual Override (Top Mounted Knob Lift and Turn for AD Series)
 ATEX EExmIT4 II 2G & 2D IP65 T130°C Coil (Pressure 3 Bar Max)

Included

ELECTRICAL DATA

Voltage (-10% + 10%) Continuous duty 100%		Coil	Power Consumption		Insulation class	Enclosure	Electrical connections
~	=		Inrush	Holding			
~	24 - 48 - 110 - 240 - 380 (50/60 Hz)	WPG2	18.7VA	15.3VA	H 180°C	IP 67 with connector	3 spades DIN 43650A DIN 40050 VDE 0110
=	12 - 24 - 48 - 110 (DC)		18 Watts				

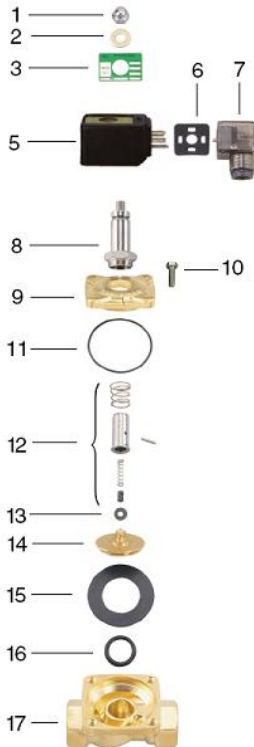
CONSTRUCTION

Body: Brass, Tube and internal parts: Stainless steel
 Seals and gaskets: VITON
 Moulded coil: Resin

REPAIR KIT

Diaphragm seal	SP215 + valve part number
Coil	WPG2 + voltage

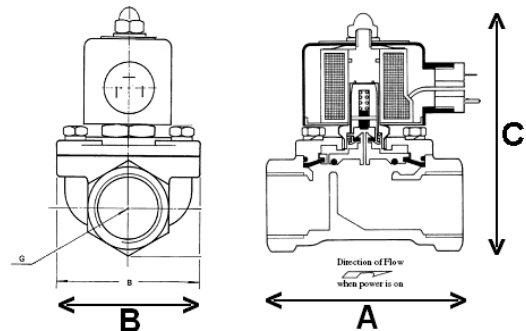
OVERALL DIMENSIONS



No.	Part No	Description
1	SP201*	Nut
2	SP202*	Washer
3	SP203*	Nameplate
5	SP205*	Coil
6	SP206*	Gasket
7	SP207*	Connector
8	SP208*	Core Tube
9	SP209*	Valve Bonnet
10	SP210*	Bolt
11	SP211*	Bonnet O Ring
12	SP212*	Armature Assembly
13	SP213*	Diaphragm Base Kit
14	SP214*	Diaphragm Base
15	SP215*	Diaphragm
16	SP216*	Base O Ring
17	SP217*	Valve Body

* = Valve Part Number

Model	AD-14/15-V	AD-20-V	AD-25-V	AD-35/40-V	AD-50-V
Port G	1/2	3/4	1	1 1/4 1 1/2	2
A	75	85	100	120	150
B	52	60	70	90	120
C	103	114	120	140	160
Kg	1.03	1.24	1.51	2.77	4.81



Manual Over Ride option

