

Media: Water – Liquid – Acid - Alkali  
 Pressure: Cast Iron: 12 Bar max  
 Pressure: Stainless: 20 Bar max  
 Media temp: -15°C to +80°C max  
 Media viscosity: 50 centistokes max  
 Mounting: any position

# Anti Water Hammer

## Cast Iron + Stainless

### DN50 – DN200

### Angle L Series

### 12 + 20 Bar

## TYPE ALF



#### PRESSURE

Ø Port JIS10K	Air Chamber Volume CM <sup>3</sup>		Part Number	List Price	
				Cast Iron	304 Stainless
DN50	1490	12 Bar	ALF50C		
DN65	2130		ALF65C		
DN80	2465		ALF80C		
DN100	5535		ALF100C		
DN150	15325		ALF150C		
DN200	27230		ALF200C		
DN50	1490	20 Bar	ALF50S		
DN65	2130		ALF65S		
DN80	2465		ALF80S		
DN100	5535		ALF100S		
DN150	15325		ALF150S		
DN200	27230		ALF200S		

#### OPTIONS

Other Flange options JIS-20K; ANSI-150LB; PN10, PN16  
 FKM + other diaphragm materials are custom made

POA  
TBA

#### CONSTRUCTION

Body: Cast Iron or 304 Stainless Steel  
 Seals: NBR other options available upon request

#### REPAIR KIT

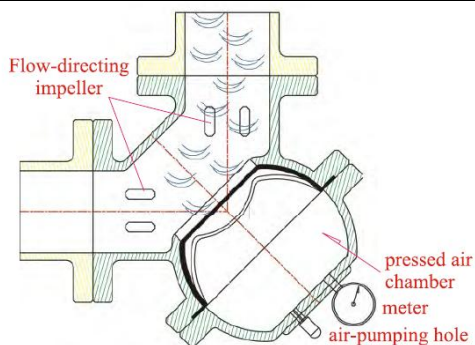
Diaphragm Seal

Valve part number + seal material

#### INFORMATION

##### L Style Hammer Arrestor

Fit the Hammer Arrestor at the first corner from the fast shut down valve. When the fluid lift is greater than 50Mtrs or pressure higher than 5 bar we recommend fitting a hammer arrestor at the first corner from the fast shut down valve AND the corner after the longest pipe straight. Leave at least a 10 cm gap between the arrestor and the wall for ease of maintenance. Make sure the air chamber pressure is lower than the pipe pressure between 60% to 90%. If the pipe outlet to atmosphere i.e. Tank then set the air chamber pressure between 1 and 1.3 Bar.



Test pressure: Cast Iron 21 Bar, Stainless steel 35 Bar

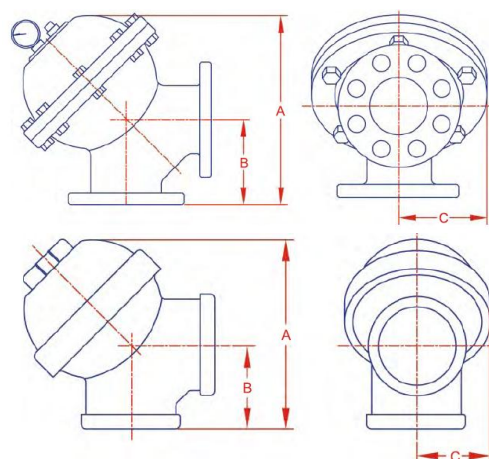
Diaphragm: NBR

Normal air chamber pressure: 2.5 Bar

Media: Fluid

Temperature range: -15°C to +80°C

Max working pressure: Cast Iron / Bronze: 12 Bar, Stainless steel 20 Bar



Port	A	B	C	KG
DN50	230	110	105	17
DN65	260	130	115	21
DN80	275	140	125	22
DN100	345	155	150	34
DN150	467	200	200	70
DN200	560	235	232	124