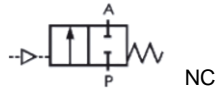


Media: water – gas – fluid – steam- vacuum
 Pressure range: 0 to 16 Bar Max
 Media temperature: -10°C to +200°C max
 Ambient temperature: +5°C to +60°C
 Media viscosity: 600 centistokes max
 Mounting: any position
 Pilot Media: air – water – gas
 Pilot Pressure: 5 to 9 Bar



Piston Stainless

3/8 - 3

ANGLE SEAT PISTON VALVE

NORMALLY CLOSED

0 – 16 Bar

Type ASPVSS-316



PRESSURE

Ø Port BSP	Function	Ø Orifice (mm)	Flow Kv Ltr/Min	Pressure (Bar)			Actuator (mm)	Part Number
				Min	2 ⇒ 1 Over Seat	1 ⇒ 2 Under seat (Anti Hammer)		
3/8	N/Closed	10	58.3	0	16	13	40	ASPV10SS-316
1/2	N/Closed	15	63.3	0	16	13	40	ASPV15SS-316
3/4	N/Closed	20	113.3	0	16	13	50	ASPV20SS-316
1	N/Closed	25	236.7	0	16	8	50	ASPV25SS-316
1 1/4	N/Closed	32	390	0	16	6	63	ASPV32SS-316
1 1/2	N/Closed	40	480	0	16	12	80	ASPV40SS-316
2	N/Closed	50	780	0	16	8	80	ASPV50SS-316
2 1/2	N/Closed	65	1246.7	0	16	4	100	ASPV65SS-316
3	N/Closed	80	1783.3	0	16	-	125	ASPV80SS-316

OPTIONS

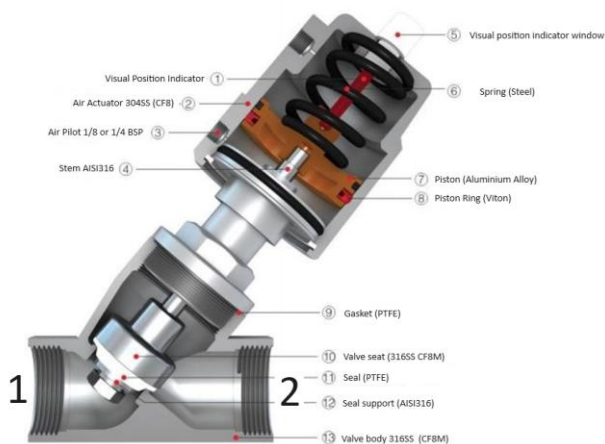
Visual Position Indicator and Anti water Hammer flow 1 ⇒ 2 Flow under seat
 Normally Open (NO) or Double Acting (DA) version
 Open Position Proximity Switch with LED 10-30vDC (ambient +70°C Max) (PS)
 Open and Closed mechanical position switches with LED 12-48vDC (E2)
 Modulating intelligent 4-20mA positioner LED Indication IP65 +/- 0.2% (M1)
 Modulating intelligent 4-20mA positioner LED Screen IP66 +/- 0.1% (M2)
 Stroke limiter – Top manual adjustment wheel (SL)
 Flanged, tri-clamp, weld end, NPT thread, manifold, plastic / aluminium actuator, high pressure, 316L body + other options.

Included

CONSTRUCTION

Body, Tube, Piston and internal parts: AISI316 (CF8M) stainless steel, Actuator head: AISI304 stainless steel (Rotation 360°)
 Seals and gaskets: Valve – PTFE, Actuator - FKM

OVERALL DIMENSIONS



DN	Port	L	L1	SW	H	D	Act	Pilot	Kg
10	3/8	55	17	21	120	51	40	1/8	1.1
15	1/2	70	21	26.5	138	51	40	1/8	1.1
20	3/4	76	23	32	154	62	50	1/8	1.3
25	1	90	25	40	168	62	50	1/8	1.7
32	1 1/4	116	32	50	200	76	63	1/8	3.1
40	1 1/2	116	32	55.5	215	92	80	1/8	3.9
50	2	138	40	68.5	230	92	80	1/8	4.8
65	2 1/2	168	51	85	268	117	100	1/4	9.3
80	3	192	54	100	325	140	125	1/4	14.0

