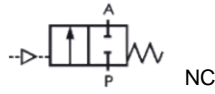


Media: water – gas – fluid – steam- vacuum  
 Pressure range: 0 to 16 Bar Max  
 Media temperature: -20°C to +200°C max  
 Ambient temperature: -10°C to +80°C  
 Media viscosity: 600 centistokes max  
 Mounting: any position  
 Pilot Media: air – inert gas  
 Pilot Pressure: 5 to 9 Bar



# Piston Stainless

## 3/8 - 3

### ANGLE SEAT PISTON VALVE

### NORMALLY CLOSED

### 0 – 16 Bar

## Type ASPVSS-316



#### PRESSURE

Ø Port BSP	Function	Ø Orifice (mm)	Pilot Air (Bar)	Flow Ltr/Min Kv	Pressure (Bar)			Actuator (mm)	Part Number
					Min	2 ⇒ 1 Over Seat	1 ⇒ 2 Under seat (Anti Hammer)		
3/8	N/Closed	11	4-5	58.3	0	16	13	40	ASPV10SS-316
1/2	N/Closed	13	4-6	63.3	0	16	13	40	ASPV15SS-316
3/4	N/Closed	17	4-6	113.3	0	16	13	50	ASPV20SS-316
1	N/Closed	24	4-6	236.7	0	16	8	50	ASPV25SS-316
1 1/4	N/Closed	30	4-7	390	0	16	6	63	ASPV32SS-316
1 1/2	N/Closed	35	5-7	480	0	16	12	80	ASPV40SS-316
2	N/Closed	45	6-9	780	0	16	8	80	ASPV50SS-316
2 1/2	N/Closed	59	4-9	1246.7	0	16	4	100	ASPV65SS-316
3	N/Closed	76	4-9	1783.3	0	16	-	125	ASPV80SS-316

#### OPTIONS

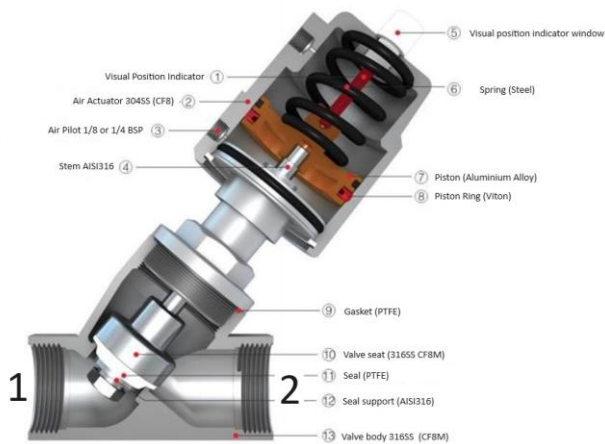
Visual Position Indicator and Anti water Hammer flow 1 ⇒ 2 Flow under seat  
 Normally Open (NO) or Double Acting (DA) version  
 Open Position Proximity Switch with LED 10-30vDC (ambient +70°C Max) (PS)  
 Open and Closed mechanical position switches with LED 12-48vDC (E2)  
 Modulating intelligent 4-20mA positioner LED Indication IP65 +/- 0.2% (M1)  
 Modulating intelligent 4-20mA positioner LED Screen IP66 +/- 0.1% (M2)  
 Stroke limiter – Top manual adjustment wheel (SL)  
 Flanged, tri-clamp, weld end, NPT thread, manifold, plastic / aluminium actuator, high pressure, 316L body + other options.

**Included**

#### CONSTRUCTION

Body, Tube, Piston and internal parts: AISI316 (CF8M) stainless steel, Actuator head: AISI304 stainless steel (Rotation 360°)  
 Seals and gaskets: Valve – PTFE, Actuator - FKM

#### OVERALL DIMENSIONS



DN	Port	L	L1	SW	H	D	Act	Pilot	Kg
10	3/8	55	17	21	120	51	40	1/8	1.1
15	1/2	70	21	26.5	138	51	40	1/8	1.1
20	3/4	76	23	32	154	62	50	1/8	1.3
25	1	90	25	40	168	62	50	1/8	1.7
32	1 1/4	116	32	50	200	76	63	1/8	3.1
40	1 1/2	116	32	55.5	215	92	80	1/8	3.9
50	2	138	40	68.5	230	92	80	1/8	4.8
65	2 1/2	168	51	85	268	117	100	1/4	9.3
80	3	192	54	100	325	140	125	1/4	14.0

