

Media: gas – water – fluid – steam- vacuum
 Pressure range: 0 to 16 Bar Max
 Media temperature: -20°C to +200°C max
 Ambient temperature: -10°C to +80°C
 Media viscosity: 600 centistokes max
 Mounting: any position
 Pilot Media: air – inert gas
 Pilot Pressure: 5 to 9 Bar

Piston Stainless

DN10 – DN80

ANGLE PISTON VALVE

2 WAY DIRECT ACTING

0 – 16 Bar

Type ASPVSS-F



PRESSURE

Ø Port PN16	Function	Ø Orifice (mm)	Pilot Air (Bar)	Flow Ltr/Min	Pressure (Bar) ΔP			Actuator (mm)	Part Number
					Min	1↔2 Over Seat	1⇒2 Under seat		
DN10	N/Closed	11	4-5	58.3	0	16	13	40	ASPV10SS-F
DN15	N/Closed	13	4-6	63.3	0	16	13	40	ASPV15SS-F
DN20	N/Closed	17	4-6	113.3	0	16	13	50	ASPV20SS-F
DN25	N/Closed	24	4-6	236.7	0	16	16	50	ASPV25SS-F
DN32	N/Closed	30	4-6	390	0	16	6	63	ASPV32SS-F
DN40	N/Closed	35	5-7	480	0	16	12	80	ASPV40SS-F
DN50	N/Closed	45	6-9	780	0	16	8	80	ASPV50SS-F
DN65	N/Closed	59	4-9	1246.7	0	16	4	100	ASPV65SS-F
DN80	N/Closed	76	4-9	1783.3	0	16	0	125	ASPV80SS-F
DN100	D/Acting	95	4-9	1966.7	0	16	7	160	ASPV100SS-DA

OPTIONS

Visual Position Indicator and Anti-water hammer flow 1 ⇒2 (Flow under seat)
 Normally Open (-NO) or double acting Version (-DA) (Different pressure range)
 Open Position Proximity Switch 12-24vDC (normally closed only ambient +70°C Max)
 Open and Closed mechanical position switches with LED 12-48vDC (PS)
 Modulating intelligent 4-20mA positioner LED Indication IP65 (M1)
 Modulating intelligent 4-20mA positioner LED Screen IP66 ATEX Ex nA II CT1-4 (M2)
 Flanged ANSI150Lb, JIS10K,
 Stroke Limiter – Top manual adjustment wheel (Only available with normally closed valve)
 3 Way, Triclamp, Weld + thread Ends and other custom made options available upon request

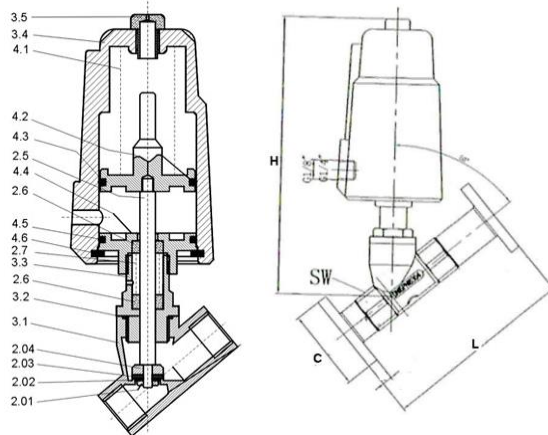
Included

CONSTRUCTION

Body, Tube, Piston, Flange and internal parts: AISI316 (CF8M) stainless steel
 Actuator: AISI304 stainless steel (Rotation 360°)
 Seals and gaskets: Valve - PTFE Actuator - FKM
 Moulded coil : Resin

OVERALL DIMENSIONS

Parts List
2.01 Bolt
2.02 Orifice Plate Seal
2.03 Disc Seal
2.04 Disc
2.5 Steam
2.6 V Seal
2.7 Spring
3.1 Body
3.2 Seal Ring
3.3 Screw connector
3.4 Cylinder
3.5 Cover
4.1 Spring
4.2 Piston
4.3 O ring
4.4 Bonnet
4.5 O Ring
4.6 Bearing Ring



DN	L	H	C	PCD	Actuator mm	Pilot BSP
15	172	138	95	65	40	1/8
20	182	154	105	75	50	1/8
25	196	168	115	85	50	1/8
32	228	200	140	100	63	1/8
40	228	215	150	110	80	1/8
50	250	230	165	125	80	1/8
65	295	268	185	145	100	1/4
80	320	325	200	160	125	1/4
100	316	378	220	180	160	1/4



Stroke limiter

