

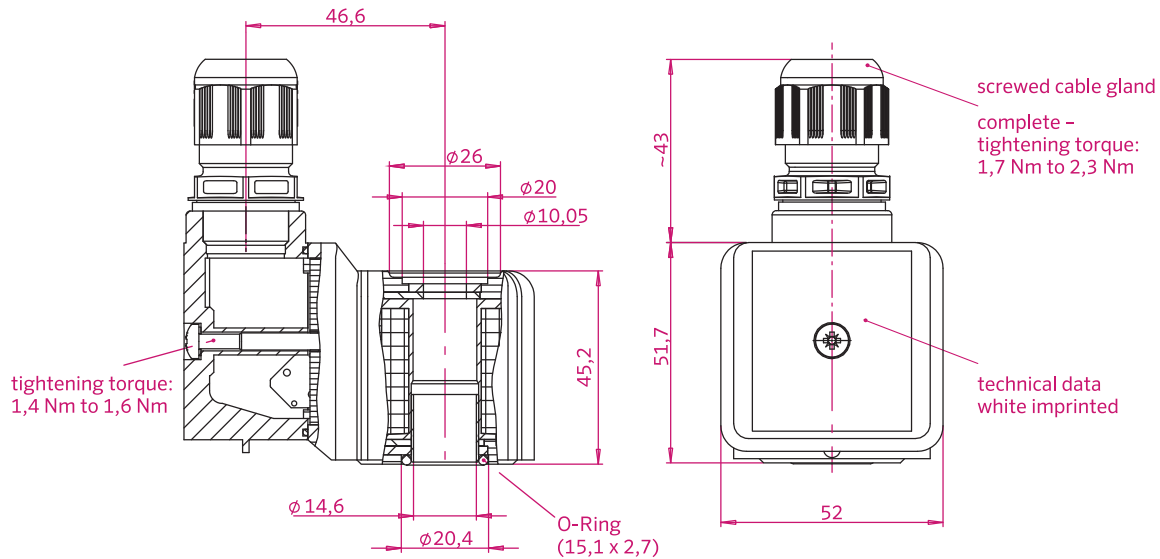


SOLENOID COIL SYSTEM 13 ATEX WITH TERMINAL BOX

Width: 52 mm
 Protection by encaps.:  II 2 G Ex e mb IIC T4, T6 Gb
 II 2D Ex tb mb IIC T130 °C, T80 °C Db IP 65, IP 67
 Connection type: terminal box
 Moulding material: thermoplastic

General Data

Voltage tolerance..... ± 10 %
 Ambient temperature..... - 40 °C to + 50 °C/+ 60 °C
 Relative duty cycle..... 100 %
 Insulation class of insulating materials
 according to DIN VDE 0580..... F
 Degree of protection..... IP 65/IP 67
 Type examination certificate..... PTB 11 ATEX 2027 X
 Imprint..... *nass magnet* (customer imprint possible)



Technical Data Standard Versions

Part No.	Voltage	Ambient Temperature	Power Level	Pressure [bar]	Temperature Class
113-030-0119	24 V AC/DC	- 40 °C to + 50 °C	2	10	T 6
113-030-0318	110 V AC/DC	- 40 °C to + 50 °C	2	10	T 6
113-030-0149	230 V AC/DC	- 40 °C to + 50 °C	2	10	T 6
113-030-0103	24 V AC/DC	- 40 °C to + 60 °C	3	10	T 4
113-030-0118	110 V AC/DC	- 40 °C to + 60 °C	3	10	T 4
113-030-0094	230 V AC/DC	- 40 °C to + 60 °C	3	10	T 4

Notes

- The increased degree of protection IP 67 can be realized with a exhaust protector for the mounting of the solenoid coil.
- The solenoid coils are equipped with a rectifier and therefore independent with regard to the supply frequency.
- Additional approvals from national and international admission offices on request.
- Please refer to the manual prior to start of operation!