

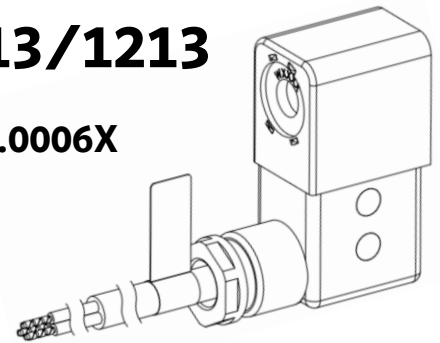
Ex m, t Solenoid Operator Type 0513/1213



PTB 00 ATEX 2001 X



IECEx PTB 05.0006X



Operating Instructions

Dear Customer!

To ensure the function and for your own safety, please read these operating instructions attentively before you begin with the installation. If you still have questions, please contact nass magnet GmbH.

Phone ++49 (0) 511 6746-0
Fax ++49 (0) 511 6746-222



www.nassmagnet.com

e-mail vertrieb@nassmagnet.de

General Conditions

- We are not liable for any damage caused by non-observation of this information as well as in case of improper intervention regarding this equipment. Furthermore, warranty for the equipment and accessories will become void. Our general terms and conditions apply.
- The EC-type-examination certificate exclusively covers solenoid operators with nass magnet armature assembly and with nass magnet solenoid coil; please consider the corresponding power levels.

Applied standards by the certification bodies:

EN 60079-0:2009	IEC 60079-0:2007-10 (Ed. 5)
EN 60079-18:2009	IEC 60079-18:2009 (Ed. 3)
EN 60079-31:2009	IEC 60079-31:2008 (Ed. 1)

- In its installed state the equipment is appropriate for potentially explosive gas atmospheres of Group IIC (protection type "m"). The Equipment Protection Level (EPL) is Gb for intended application in Zone 1, ATEX Category 2G. Alternatively the equipment is appropriate for potentially explosive dust atmospheres of Group IIIC (protection type „mb tb“). The according Equipment Protection Level is Db for intended application in Zone 21, ATEX Category 2D.
- Beyond recognized rules of sound engineering practice, the EC type-examination certificate and these operating instructions refer to special conditions and further application conditions that must be observed in any case. However, these operating instructions cannot consider all possible conditions and applications completely and do not replace the specifications valid in each case.

Installation

- At installation and maintenance, it is essential to observe applicable standards for electrical safety and electrical installations in potentially explosive atmospheres, especially IEC/EN 60079-14.
- Take suitable measures to exclude unintentional activation or inadmissible impairment.
- Before mounting the valve system, check that there is no dirt in the piping or the valve housing.

- Make sure not to damage O-rings and seals during assembly.
- Make sure not to detach pipes and valves of pressurised systems.
- If coils are used in a side by side manifold assembly, pay attention to the minimum distance according to the temperature class (see 'Technical Data').
- Mounting is admissible in any position. Preferably the solenoid coil points upwards.
- The solenoid coil can be locked when offset by 90°. Fastening torque of the mounting nut: 0.5 Nm.
- Electrical connection with the integral cable of the solenoid coil (wire ends suitable for screw terminals/clamps) in the hazardous area with approved explosion-protected equipment (e.g. terminal box with type of protection Increased Safety "e" according IEC/EN 60079-7).
- The cable is of type H05 V2V2-F 3G1,0 (PVC isolated) and is suitable for a temperature range of -30°C to +105°C in fixed installations. The minimum bending radius is 3xD (= 21mm). For other demands please enquire.
- Observe the rated values of the cable corresponding to the respective requirements and ambient conditions at the point of wiring (see IEC/EN 60079-14).
- Prevent the cable and wires from being damaged and make sure that the conductor ends are properly inserted into the connection terminals.
- **Attention! Each particular solenoid operator must be protected by a fuse.** Note the rated values according to the technical data charts of the associated temperature class (refer to 'Technical Data').
- For all DC voltage operated solenoids, the maximum permissible ripple is 20 %.
- At choice of the material of the valve bodies must be observed:
 - Metal: The maximum admissible weight percentage may not exceed the following limits for EPL Gb and Db: in total 7.5 % magnesium, titanium and zirconium.
 - Plastics: In order to avoid the build-up of electrostatic charges the requirements according to IEC/EN 60079-0 section 7.4 must be observed.
- Before operational start-up of the equipment it must be ensured that the entire machine or system complies with the local regulations, e.g. the EMC Directive.

Operation

- **Caution! Risk of injury! The solenoid valve can get very hot during continuous operation.**
- The operating pressure of the equipment depends on the armature system used. The mass magnet standard armature system is suited for up to 12 bars (1200 kPa) and has no extra identification. For other demands please enquire.
- Admissible media are gas and liquids that do not affect the system and the gasket material contained therein.
- Prevent the equipment's exterior surfaces from getting in contact with liquid or corrosive media.
- Frequent occurrence of condensate can lead to critical accumulation of water, for which the rated protection class IP65 is not sufficient. Exposure to natural weather is generally not permitted.
- Do not strain the system by bending or torsion.
- Pay attention to the technical data ratings according to the charts of the according temperature class.

Troubleshooting

- At malfunctioning check the cable connections, operating voltage and pressure.
- If the problem persists the equipment must be put out of operation. Make sure to disconnect pressure and electrical power supply.
- Damaged or defective equipment may not be repaired but must be replaced.

Technical Data – Temperature Class T4 / T130 °C

Solenoid operator

Ex mb IIC T4 Gb

Ex mb tb IIIC T130°C Db

Degree of protection provided by enclosure

IP65

Type	0513 00 ... 0513 49				1213 00 ... 1213 49			
Electric Supply	AC - Voltage 50...60 Hz				DC - Voltage, max. 20 % ripple			
Supply Voltage Limit Deviation	+/- 10 %				+/- 10 %			
Ambient Temperature								
- Single Assembly	-20 °C ... +50 °C				-20 °C ... +50 °C			
- Manifold Assembly	-20 °C ... +40 °C				-20 °C ... +40 °C			
Max. permissible Media Temperature	-				-			
Manifold Assembly Min. Distance	yes 0 mm				yes 0 mm			
Nominal Voltage, Supply Voltage U_N [V]	Rated Current $I_R^{1)}$ [mA]	Rated Power P_R [VA]	Limit Power $P_G^{2)}$ [W]	Fuse $^{3)}$ [mA]	Rated Current $I_R^{1)}$ [mA]	Rated Power P_R [W]	Limit Power $P_G^{2)}$ [W]	Fuse $^{3)}$ [mA]
6	-	-	-	-	833	5.0	4.4	1250
12	392	4.7	4.1	800	375	4.5	4.0	630
24	192	4.6	4.0	400	207	5.0	4.4	315
36	-	-	-	-	138	5.0	4.4	200
42	117	4.9	4.3	250	-	-	-	-
48	98	4.7	4.1	200	98	4.7	4.1	160
60	-	-	-	-	77	4.6	4.1	125
110	41	4.5	3.9	80	45.3	5.0	4.4	80
120	44	5.3	4.6	80	-	-	-	-
125	-	-	-	-	39.7	4.96	4.4	63
220	22	4.8	4.2	50	-	-	-	-
230	22	5.1	4.4	50	-	-	-	-
240	23	5.5	4.8	50	-	-	-	-

1) Rated values

2) Steady-state power, maximum power at the thermal load limit

3) Each solenoid operator must be protected by a fuse according to the rated current (max. 3x rated current according to IEC 60127-2-1, the fuse ratings listed above are recommended) resp. motor protection switch with short-circuit and fast thermal tripping protection. The fuse can be accommodated in the associated equipment or must be added separately. The rated fuse voltage must be equal or higher than the nominal solenoid voltage. The short-circuit breaking capacity must be equal or higher than the maximum assumed short-circuit current at the installation point (usually 1500 A).

Technical Data – Temperature Class T5 / T95 °C

Solenoid operator

Ex mb IIC T5 Gb

Ex mb tb IIIC T95°C Db

Degree of protection provided by enclosure

IP65

Type	0513 50 ... 0513 99				1213 50 ... 1213 99			
Electric Supply	AC - Voltage 50...60 Hz				DC - Voltage, max. 20 % ripple			
Supply Voltage Limit Deviation	+/- 10 %				+/- 10 %			
Ambient Temperature								
- Single Assembly	-20 °C ... +50 °C				-20 °C ... +50 °C			
- Manifold Assembly	-20 °C ... +40 °C				-20 °C ... +40 °C			
Max. permissible Media Temperature	-				-			
Manifold Assembly Min. Distance	yes 0 mm				yes 0 mm			
Nominal Voltage, Supply Voltage U_N [V]	Rated Current $I_R^{1)}$ [mA]	Rated Power P_R [VA]	Limit Power $P_G^{2)}$ [W]	Fuse $^{3)}$ [mA]	Rated Current $I_R^{1)}$ [mA]	Rated Power P_R [W]	Limit Power $P_G^{2)}$ [W]	Fuse $^{3)}$ [mA]
6	-	-	-	-	451	2.71	2.5	800
12	192	2.3	2.1	400	231	2.77	2.6	400
24	121	2.9	2.5	250	115	2.76	2.6	200
32	-	-	-	-	73	2.64	2.5	125
36	52	2.2	2.0	100	-	-	-	-
42	54	2.6	2.3	100	38.4	1.84	1.7	63
110	-	-	-	-	29.8	1.79	1.7	50
120	21	2.3	2.1	40	23.2	2.55	2.4	32
125	23	2.7	2.4	50	-	-	-	-
220	-	-	-	-	17.8	2.23	2.1	32
230	9	2.1	1.9	32	-	-	-	-
240	10	2.3	2.1	32	-	-	-	-

1) Rated values

2) Steady-state power, maximum power at the thermal load limit

3) Each solenoid operator must be protected by a fuse according to the rated current (max. 3x rated current according to IEC 60127-2-1, the fuse ratings listed above are recommended) resp. motor protection switch with short-circuit and fast thermal tripping protection. The fuse can be accommodated in the associated equipment or must be added separately.

The rated fuse voltage must be equal or higher than the nominal solenoid voltage. The short-circuit breaking capacity must be equal or higher than the maximum assumed short-circuit current at the installation point (usually 1500 A).

(page intentionally left blank)

EU Declaration of Conformity

This declaration of conformity is issued under the sole responsibility of the manufacturer:

nass magnet GmbH
Eckenerstrasse 4-6
30179 Hannover, Germany

Product, Type-number / Object of the declaration:

Solenoid Operator Type 0513 00 to 0513 99 and 1213 00 to 1213 99

The object of the declaration described above is in conformity with the relevant Community harmonisation legislation:

2014/34/EU

...relating to equipment and protective systems intended for use in potentially explosive atmospheres (recast of 26 February 2014)

2011/65/EU, with (EU) 2015/863 and (EU) 2018/741

on the restriction of the use of hazardous substances in electrical and electronic equipment (recast of 8 June 2011, amended 31 March 2015 and 1 March 2018)

Regarding pressure-induced hazards, the relevant requirements of Directive 2014/68/EU are complied with.

Notified body (no.) that performed the EC-type examination and no. of the certificate:

Physikalisch Technische Bundesanstalt (No. 0102), PTB 00 ATEX 2001 X.

Relevant harmonised standards used and references to the specifications in relation to which conformity is declared. In case of newer editions as referenced in the certificate we confirm that the changed requirements are either not applicable or the products listed above comply with them:

EN IEC 60079-0:2018

Explosive atmospheres - Part 0: Equipment - General requirements

EN 60079-18:2015/A1:2017

Explosive atmospheres - Part 18: Equipment protection by encapsulation "m"

EN 60079-31:2014

Explosive atmospheres - Part 31: Equipment dust ignition protection by enclosure "t"

EN IEC 63000:2018

Technical documentation for the assessment of electrical and electronic products with respect to the restriction of hazardous substances

DIN VDE 0580:2011

Electromagnetic devices and components - General specifications

Signed for and on behalf of

nass magnet GmbH, Hannover, 08 March 2021

Patrick Oelkers
General Manager

