

Features

- * Medium size, 22mm width solenoid valve, large flow rate.
- * Lockable manual override for easy operation.
- * Anodized aluminum body and strict quality control provide a long durability.
- * Coil nut is available, please refer to page 7-4.
- * Ex-proof coil is available, please refer to page 7-8.



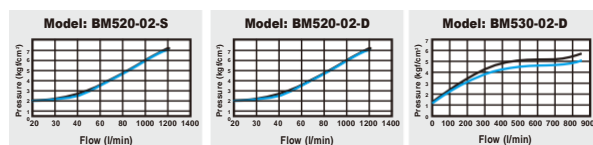
How to order

BM520	X	02	N	S	2	LED	E1
BM series	Acting style	Port size	Thread	Solenoid	Voltage	LED	Coil type
520 5/2 way	Blank Standard	02 1/4"	Blank G	S Single solenoid	1 110VAC	Blank (W/O LED)	Blank DIN
530 5/3 way	X Exhaust center	03 3/8"	N NPT	D Double solenoid	2 220VAC		F Lead wire
	Y Pressurized center	04 1/2"	R Rc		6 24VAC		E1 EX-proof 22mm width
					7 12VDC		E2 EX-proof 30mm width
					9 24VDC		E3 EX-proof CSA standard

How to order manifold

MFB520	02	N	02
22mm valves series	Port size	Thread	Stations
	02 1/4"	Blank G	02 2 stations
	03 3/8"	N NPT	03 3 stations
	04 1/2"	R Rc	XX XX stations

Flow chart

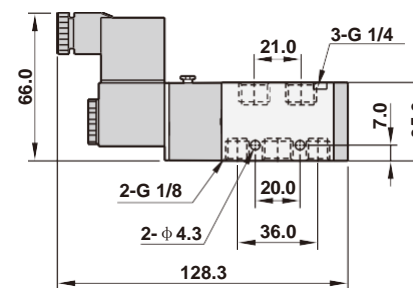
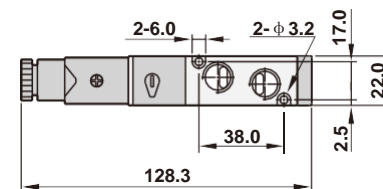


Specifications

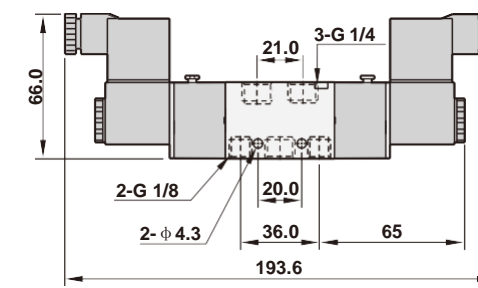
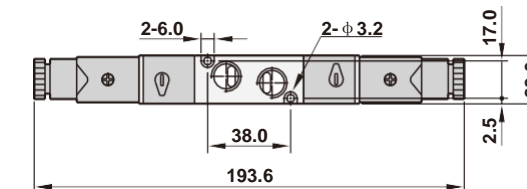
Model	BM520-02-S(D)	BM530-02-D	BM520-03-S(D)	BM530-03-D	BM520-04-S(D)	BM530-04-D
Port size	1/4", 1/8" (Exhaust ports)		3/8", 1/4" (Exhaust ports)		1/2"	
Body material	Aluminum alloy					
Fluid	Compressed air					
Acting	Internal pilot					
Effective area	18mm ²	14mm ²	30mm ²	18mm ²	50mm ²	30mm ²
Operating pressure range	2~8 kgf/cm ²					
Proof pressure	9.9 kgf/cm ²					
Ambient temperature	-10°C ~ 50°C					
Duty cycle	100% ED					
Coil type	DIN (Standard)					
Protection class	IP65 (DIN 40 050)					
Insulation class	F					
Voltage tolerance	±10%					
Standard voltage	220VAC, 110VAC, 24VDC (The other voltage is optional)					
Net weight	235g(335g)	445g	410g(500g)	700g	590g(720g)	770g

Dimensions

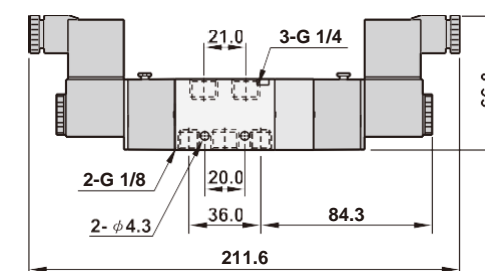
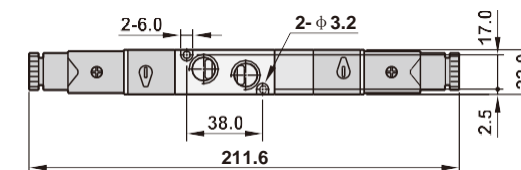
BM520-02-S



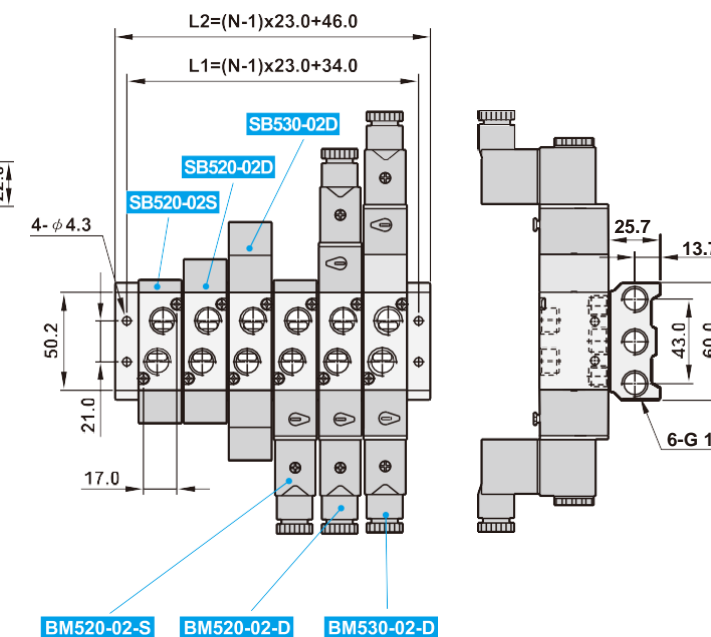
BM520-02-D



BM530(X)(Y)-02-D



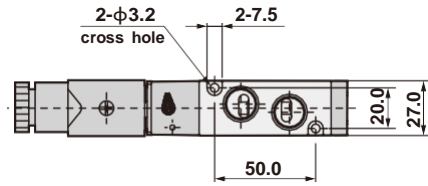
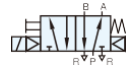
MFB520-0206



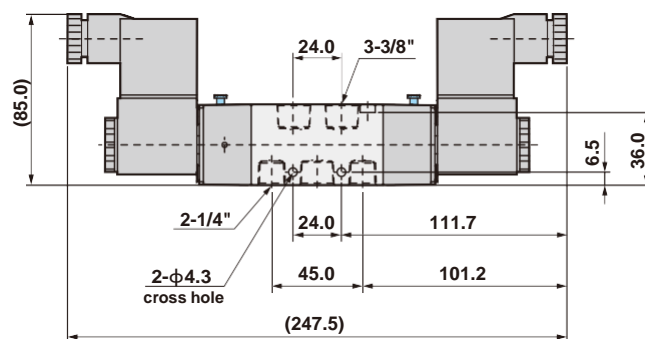
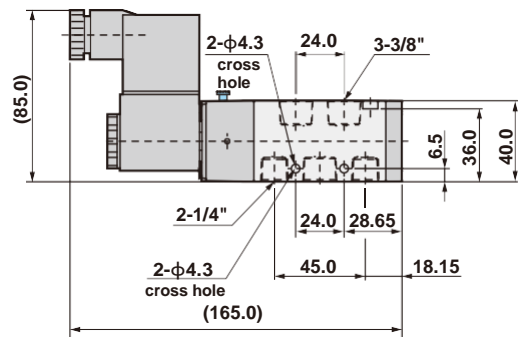
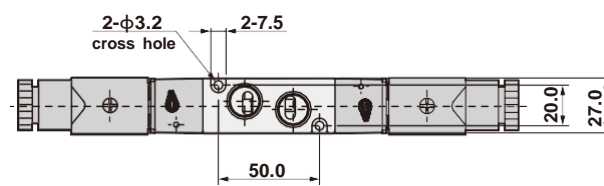
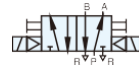
Number of station (N)	2	3	4	5	6	7	8	9	10
L1	57.0	80.0	103.0	126.0	149.0	172.0	195.0	218.0	241.0
L2	69.0	92.0	115.0	138.0	161.0	184.0	207.0	230.0	253.0

Dimensions

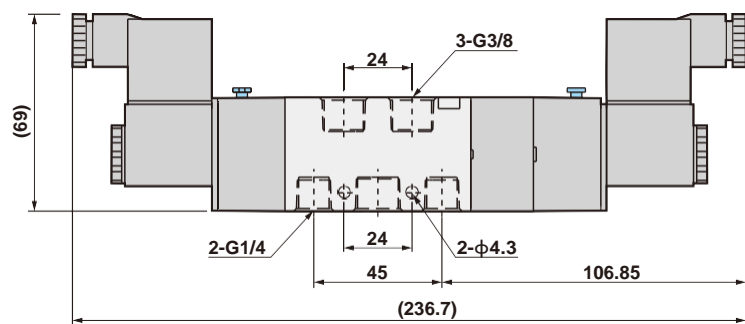
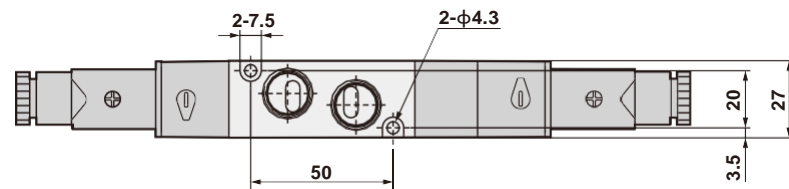
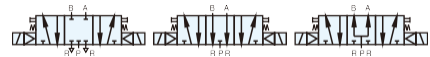
BM520-03-S



BM520-03-S

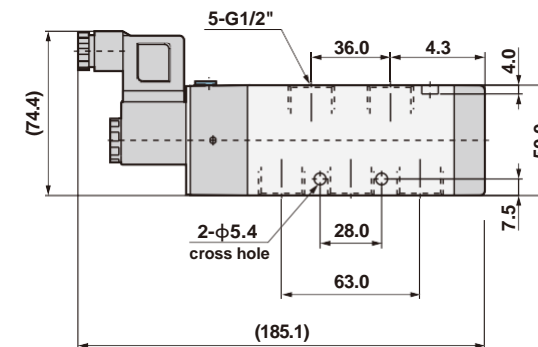
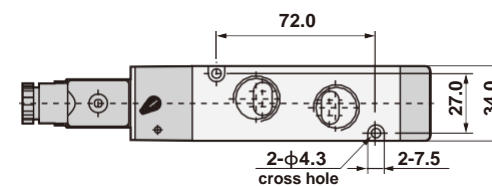


BM530(X)(Y)-03-D

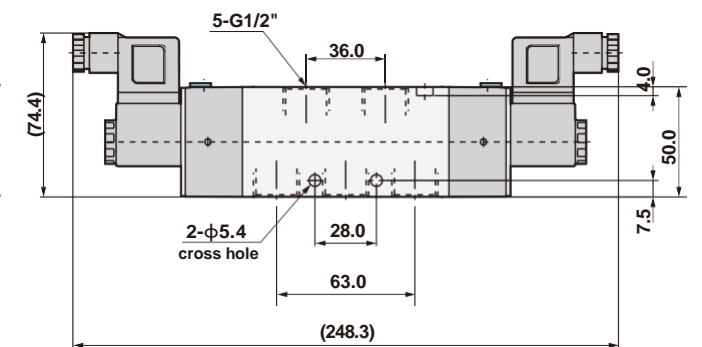
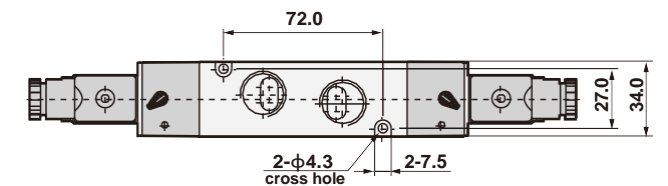
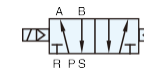


Dimensions

BM520-04-S



BM520-04-D



BM530(X)(Y)-04-D

