

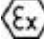
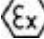


## Certificate of Receipt of Technical Documentation

Number: CML 24ATEXT322

Issue 0

- 1 In accordance with Directive 2014/34/EU, Article 13, 1. (b) (ii) and Annex VIII this certificate confirms receipt of a dossier of technical documentation.
- 2 This certificate is evidence that the manufacturer has fulfilled its duties concerning communication of the dossier of technical documentation to a Notified Body in accordance with the requirements of Directive 2014/34/EU, Article 13, 1. (b) (ii).
- 3 Eurofins CML B.V., Chamber of Commerce No 67386717, Koopvaardijweg 32, 4906CV Oosterhout The Netherlands, Notified Body Number 2776, according to Council Directive 2014/34/EU Articles 17 and 26.
- 4 Manufacturer name **Shako Co., Ltd.**  
#:
- 5 Address #: No. 392, Sec.2, Wanshou Rd., Guishan Dist., Taoyuan City Taiwan, 33343, Taiwan (R.O.C).

6 Manufacturer file reference #	Equipment #
SHAKO 24ATEX0503	<b>Stainless Steel F.R.L Combination</b> Models: USFR/L, USFRL USFR, USF, USR, USL, SSFRL600, SSFR500, SSF200, SSR200, SSL200 The apparatus marking shall include the code:  II 2G Ex h IIC T4 Gb  II 2D Ex h IIIC T135°C Db Ta=-10°C~+70°C Ref. Standards: EN ISO 80079-36:2016 EN ISO 80079-37:2016

- 7 Future modification or addition to the stored dossier of technical information will be acknowledged by a further issue of this Certificate of Receipt

8 Issue	Date	Expires After
0	11 <sup>th</sup> November 2024	11 <sup>th</sup> November 2034

# Information provided by the manufacturer

Signed

Representative of Eurofins CML B.V.  
Certification Manager