



HIGH PRESSURE

SOLENOID VALVE

2/2 WAYS

DIRECT OPERATED

## CNXHPI022F0CD15

### TECHNICAL SPECIFICATIONS

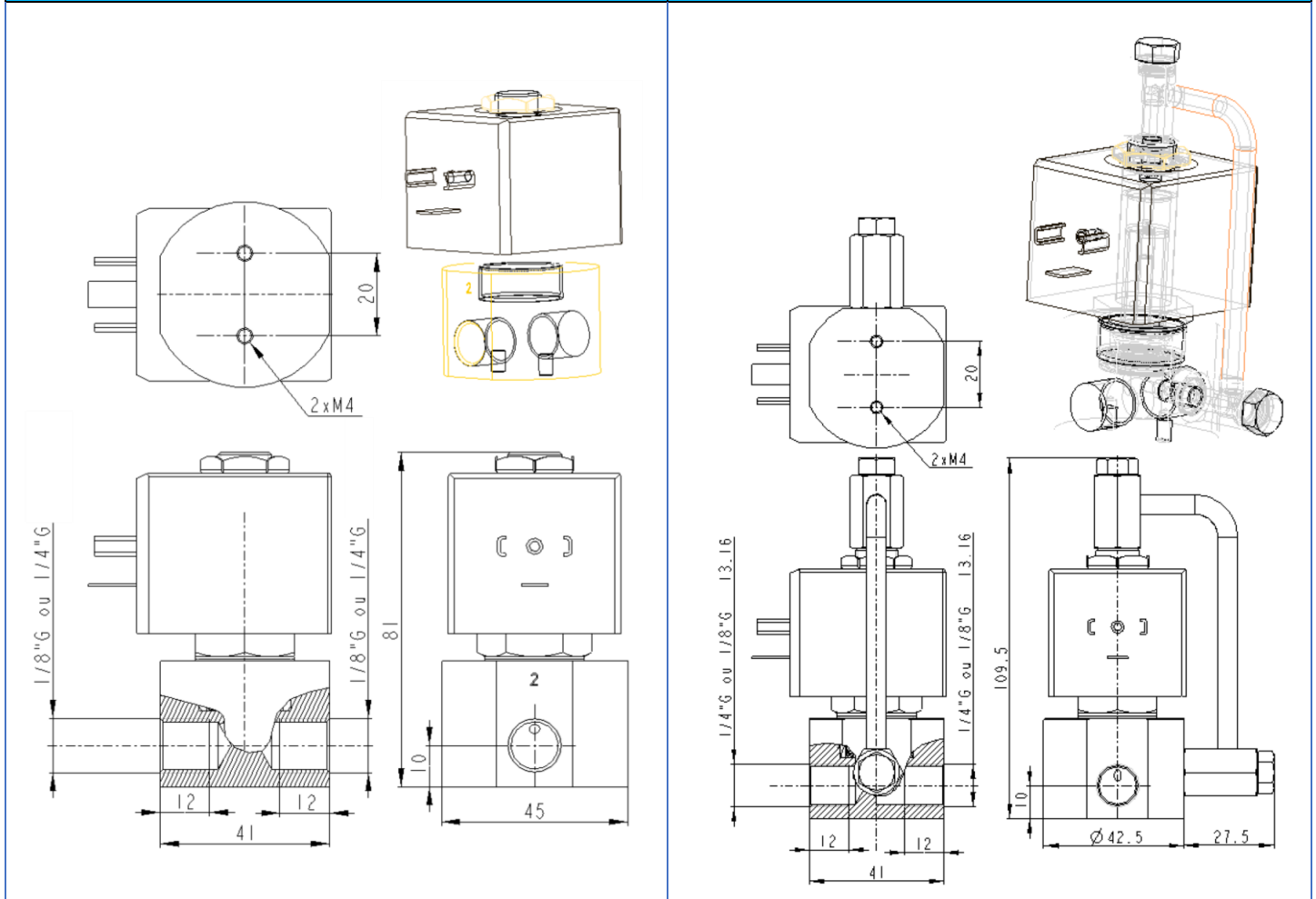
Media : air – water – fuel - hydrogen – nitrogen - fluids  
 Pressure range : 0 to 600 Bar max (according to orifice)  
 Media temperature : 100° C max  
 Ambient temperature : -20° to +60°C max  
 Media viscosity : 40 centistokes max  
 Mounting : any position (Except upside down)  
 Weight (including coil) : 280 g (Except with ATEX coil)  
 Opening or closing time : 200 ms max  
 Body material : stainless steel

TYPE	DN	Kv L/min	PRESSURE (bar)	FUNCTION	SEAL	O'RING	PORT
CNXHPI022CD15	0.4	0.1	0-600	F (Normally Closed) 	PEEK (H)	FKM (F) NBR (N) EPDM (E)	1/8"G 1/4"G Option : NPT
	0.5	0.15	0-500				
	0.7	0.17	0-300		PTFE (P)		
	1	0.5	0-200				
	1.2	0.66	0-150	O (Normally Open) 	PTFE (P)	FKM (F) NBR (N) EPDM (E)	1/8"G 1/4"G Option : NPT
	0.5	0.15	0-400				
	0.6	0.2	0-300				
	1	0.5	0-100				
	1.2	0.66	0-50				

	VOLTAGE	POWER	PROTECTION	INSULATION CLASS	TYPE
DC	12 24	Power consumption 14 watts	IP 65 with connector included	Class F 155°C	<b>T4015</b> <b>31037</b> For pilot diameter 15mm 
AC	24 48 110 230	With bridge connector Inrush 48Va - holding 24Va			

**NORMALLY CLOSED**

**NORMALLY OPEN**



**OPTIONS**

- Manual override*
- Position detector Open and/or Closed*
- Temperature sensor fluid*
- Pressure taking*
- Latching / bi-stable function*

**OPTION Exd ATEX COIL SYSTEM 14**

Size : 52mm

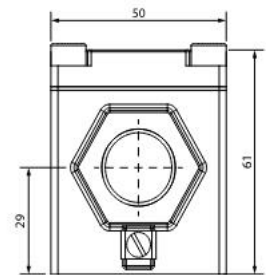
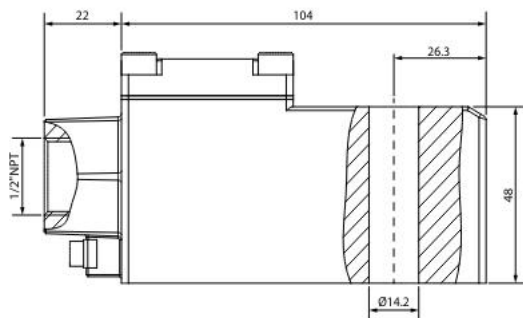
Protection ATEX II 2GD Ex d IIC T6 o T5 o T4 Gb IP66 Ex tb IIIC T85°C o T100°C o T135°C Db IP66

Cable entry :1/2 NPT optional cable gland

Material : aluminium

**GENERAL DATA**

Voltage tolerance	+/- 10%
Ambiant temperature	-40°C to +35°/+50°/+60°C
Duty Cycle	100%
Insulation class of insulating materials accoring to DIN VDE 0580	H
Degree of protection	IP65/IP67
Examination certificate	CESI 03 ATEX 344/02



REFERENCE	VOLTAGE	AMBIENT TEMPERATURE	POWER	TEMPERATURE CLASS
SOLY0012C5000	12 DC	-40°C → +35°C	8	T6
		-40°C → +50°C		T5
		-40°C → +60°C		T4
SOLY0024C5000	24 VAC / DC	-40°C → +35°C	8	T6
		-40°C → +50°C		T5
		-40°C → +60°C		T4
SOLY0110C5000	110-120 VAC / DC	-40°C → +35°C	8	T6
		-40°C → +50°C		T5
		-40°C → +60°C		T4
SOLY0230C5000	230-240 VAC / DC	-40°C → +35°C	8	T6
		-40°C → +50°C		T5
		-40°C → +60°C		T4

**OPTION Exm ATEX COIL SYSTEM 13**

Size : 52mm

Protection : II 2 G Ex e mb IIC T4, T6 Gb

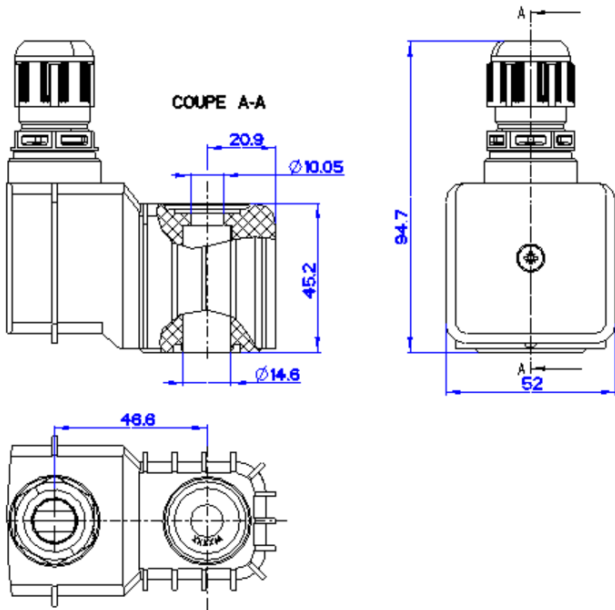
II 2D Ex tb mb IIIC T130°C, T80°C Db IP 67

Connection : Terminal box

Material Thermoplastic

**GENERAL DATA**

Voltage tolerance	+/- 10%
Ambiant temperature	-40°C to +50°C/+60°C
Duty Cycle	100%
insulation class of insulating materials according to DIN VDE 0580	F
Degree of protection	IP65/IP67
Examination certificate	PTB11 ATEX 2027 X
Manufacturer	Nass Magnet



REFERENCE	VOLTAGE	AMBIENT TEMPERATURE	POWER	TEMPERATURE CLASS
113-030-0119	24 VAC / DC	-40°C → +50°C	2	T6
113-030-0318	110 VAC / DC	-40°C → +50°C	2	T6
113-030-0149	230 VAC / DC	-40°C → +50°C	2	T6
113-030-0103	24 VAC / DC	-40°C → +60°C	3	T4
113-030-0118	110 VAC / DC	-40°C → +60°C	3	T4
113-030-0094	230 VAC / DC	-40°C → +60°C	3	T4