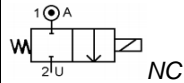
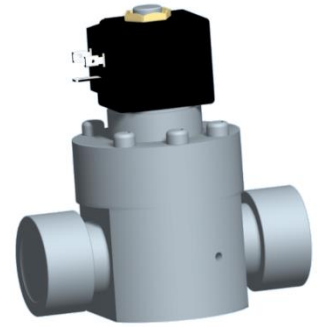



Media : air – water – light oil
 Pressure range : 1 to 200 bar max
 Media temperature : 100° C max
 Ambient temperature : -10° to +50° C max
 Media viscosity : 40 centistokes max
 Mounting : vertical position
 Weight (including coil) : 3000 g
 Opening or closing time : 20 ms max
 Body material : stainless steel

2/2 Stainless steel
 1 BSP / NPT
 NORMALLY CLOSED
 2WAY SERVO ASSISTED
 1-200 Bar
TYPE: CNXHP22



Ø Port	Ø Orifice (mm)	Flow Kv L/min	Pressure Rating (bar) ΔP		Max Media Temp. °C	Seals		Part Number
			Min	Max		Seat	O Ring	
1	20	93	1	200	NBR +60°C FKM +100°C EPDM +100°C	PTFE (P)	NBR (N)	CNXHP220.02FPN1 + voltage
							FKM (F)	CNXHP220.02FPF1 + voltage
							EPDM (E)	CNXHP220.02FPE1 + voltage
							PTFE (P)	CNXHP220.02FPEP + voltage

VOLTAGE		POWER	PROTECTION	INSULATION CLASS	TYPE
DC=	12vDC 24vDC	Power consumption 18 watts	IP 65 with connector included	Class F 155°C	31400 (T36) For pilot diameter 13mm 
AC~	24vAC 110vAC 230vAC	Inrush 48Va - holding 24Va			

OPTION

Manual Override
 Position Feed Back Open +/- Closed
 Temperature sensor (Fluids)
 Pressure Sensor
 Latching – Bi-stable function
 ATEX II 2 G Ex e mb IIC T4, T6 Gb II 2D Ex tb mb IIIC T130 ° C, T80 ° C Db IP 65, IP 67
 PTFE O rings + Seat +180°C
 Other options available upon request

