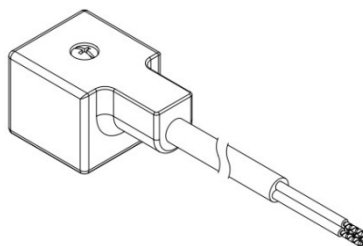


Molded connector, form A according to EN 175301-803 (ISO 4400)

Overmolding

Color *translucent*
 Material *PUR*
 Imprint *circuit diagram, front side*



Terminal block

Material *PA6 GF30*
 Poles *2+2E*
 Ground position *6/12 h*
 Contact distance *18 mm*

Circuit

LED *red*
 Protecting element *varistor*
 Rectifier *without*
 Nominal voltage *24 V*
 Current type *AC/DC*
 Current *max. 1,5 A*

Cable

Type *H05VVF, black*
 Color of internal conductor *green/yellow, brown, blue*
 Cores *3*
 Conductor cross-section *0,75 mm²*
 Cable length (L) *5 m*
 Stripping *30 mm*
 Loose end *with sleeve*
 Rolled diameter *0,2 m*

Contacts

Material *CuZn, zincd*
 Forward resistances *< 4 mOhm*

Gasket

Form *Integrated*

Central fixing screw

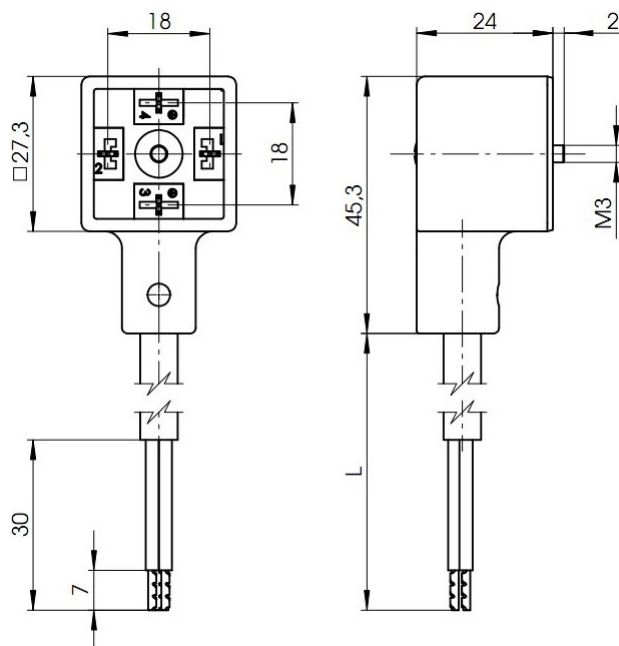
Material *Steel 4.8, zinc plated*
 Size *M3 x 24*
 Tightening torque *0,4 ± 0,1 Nm*

Packaging

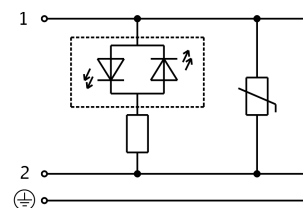
Single package, in bag

General properties

Ambient temperature *- 25 °C...+ 90 °C*
 RoHS *yes*
 Protection to DIN EN 60529 *IP 67*
 (plugged and screwed condition)



Circuit diagram



				Zulässige Abweichung für Maße ohne Toleranzangabe Unless otherwise specified tolerances DIN ISO 2768-v	Format/Size: A4	Maßstab/Scale: 1:1	Gewicht/Weight: 321,5g
				Schutzvermerk beachten Observe protection note ISO 16016	Benennung: Title: Molded connector A 03Br		
1	25630	2014.09.17	LMA		Ident. - Nr.:	Freigabe-Nr.:	Blatt:
Ind Rev	Änderung-Nr. Change no.	Datum Date	Name By		611-202-0301	24810	1/1
Geprüft: 2014.10.16 Checked: ZTA					Ersatz für / Replacement for:		
Erstellt: 2013.04.30 Created: PKR							