

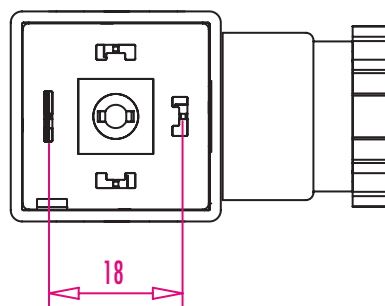


Form A

acc. to EN 175301-803 (ISO 4400)

Product Code: 6-11, One-piece Housing

Product Code: 6-41, Two-piece Housing

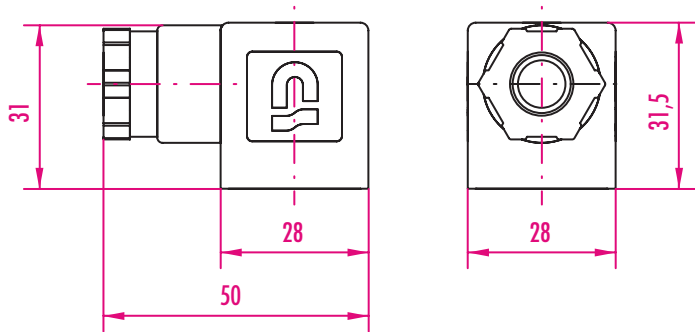


Technical Data

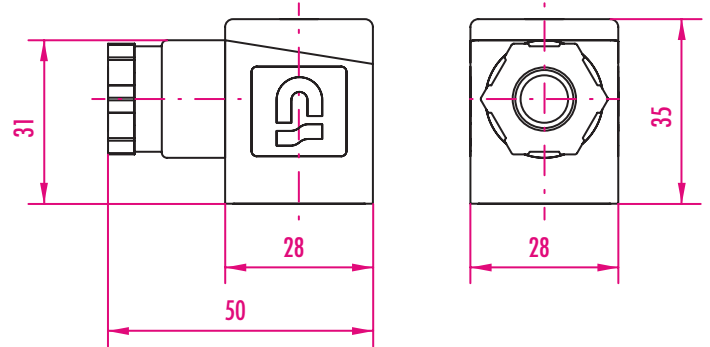
Standard Product Features:	Special Versions as Options:
Clamping contact without wire protecting plate	Clamping contact with wire protecting plate
Housing with M 20x1.5 connection	Housing with M 16x1.5 connection Housing with 1/2" NPTF connection
Housing and terminal block in polyamide	Housing and terminal block in plastic with fire protection class V1 acc. to UL94
Colour of housing black Colour of housing grey Colour of housing transparent	— — Colour of housing natural (milky)
Standard design of connectors	Design of connectors for explosion-proof areas
Cable gland without cable clamp	Cable gland with cable clamp
Ground position 12h	Ground position 3h, 6h, 9h
Central-fixing screw in St 4.8 zinc-plated	Central-fixing screw in stainless steel
PreCon logo in the housing	Customized logo on request
Packaging unit 100 pcs.	Single packaging

Additional special versions are available on request.
Circuit versions see page 28 - 32

Product code: 6-11
One-piece housing



Product code: 6-41
Two-piece housing



Part Numbers of Standard Versions

6 - b 1 d e f - 2 h i k

Circuit version number

00: without circuit; 01-99: see page 33; above 99 on request

Circuit version

0= without circuit or components soldered directly to the contact

5= components on the circuit board

Gasket and central-fixing screw

0= without gasket and screw

1= without gasket with standard screw

2= NBR profile gasket, standard screw

3= NBR flat gasket, standard screw

4= silicone flat gasket, standard screw

Ground position and connection

1= 6h, for cable 5-6mm

2= 12h, for cable 5-6mm

3= 6h, for cable 6-8mm

4= 12h, for cable 6-8mm

5= 6h, for cable 8-10mm

6= 12h, for cable 8-10mm

Number of poles and colour of housing

1= 2+ground, black

2= 2+ground, grey

3= 2+ground, transparent without circuit or with circuit with components soldered directly to the contact

4= 2+ground, transparent with circuit board

5= 3+ground, black

6= 3+ground, grey

7= 3+ground, transparent without circuit or with circuit with components soldered directly to the contact

8= 3+ground, transparent with circuit board

Housing version

1= One-piece housing

4= Two-piece housing