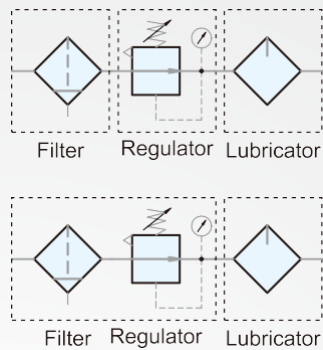


Symbol



Features

- * Remove water and particle effectively.
- * Compact size with effective air service.
- * 40 μ m and 5 μ m filter element are easily interchangeable and replaceable.
- * Accurate and easy pressure setting.
- * Oil spray in mist ensures good lubrication for machines.
- * Strict quality control offers product stable quality and long life.

Miniature FRL A type patent
Patent number in Taiwan: 1888494
Patent number in the US.: US6.733.044
Patent number in China: 538716

How to order

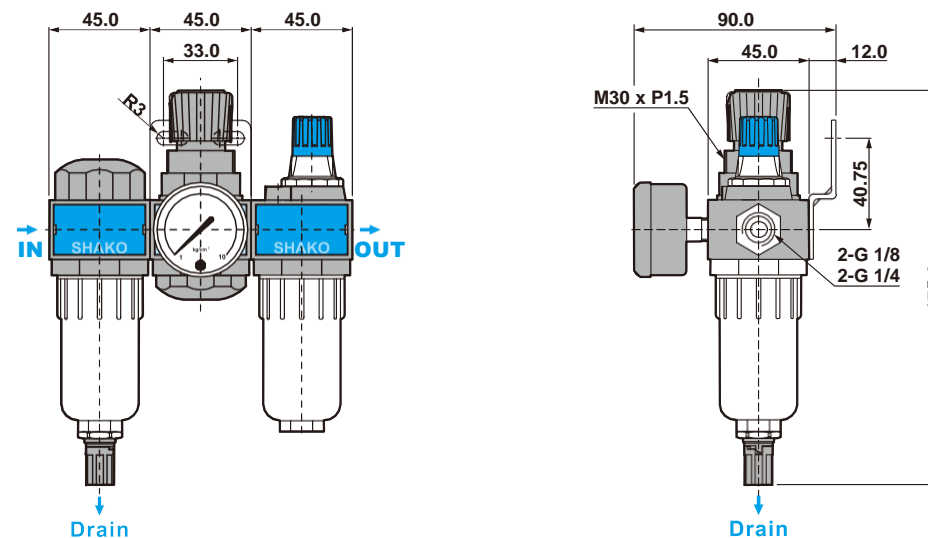
FRL700A		—	02	N	C	B	H	A	K
FRL700A	Miniature Filter+Regulator+Lubricator	Port size	Thread	Filtration	Gauge type	Drain	Bowl	Bowl guard	
FRL600A	Miniature Filter+Regulator+Lubricator	01 1/8"	Blank G	PE	Blank Circle	Blank Semi-auto drain	Blank Standard bowl	Blank W/O guard	
		02 1/4"	N NPT R Rc	Blank 5 μ m C 40 μ m Sintered brass S 5 μ m T 40 μ m	B Square	H Manual drain D Auto drain	A Anti-acid & alkali bowl	K W/I guard	

Specifications

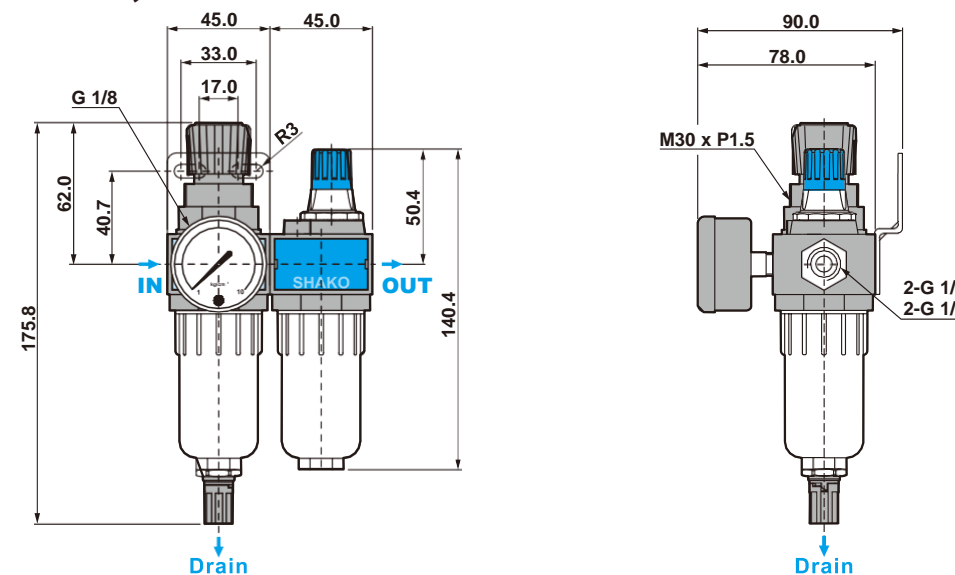
Model	FRL700A-01	FRL700A-02	FRL600A-01	FRL600A-02
Port size	1/8"	1/4"	1/8"	1/4"
Fluid	Compressed air			
Regulator construction	Diaphragm			
Body material	Polycarbonate			
Bowl material	Polycarbonate (Standard)			
Filtration	PE: 5 μ m (Standard) - 40 μ m (Option), Sintered brass (Option): 5 μ m - 40 μ m			
Operating pressure range	12 kgf/cm ²			
Proof pressure (Standard bowl)	12 kgf/cm ²			
Max. flow rate l/min (ANR)	1850		1650	1850
Ambient temperature	-10 $^{\circ}$ C ~ 60 $^{\circ}$ C			
Lubricator oil (Recommended)	ISO-VG32			
Filter bowl capacity	35cc			
Lubricator bowl capacity	50cc			
Standard drain	Semi-auto drain (Drains below 0.5kgf/cm ²)			
Net weight	810g		560g	
Accessories	Pressure gauge, Mounting bracket, Plug, Screw x 2			

Dimensions

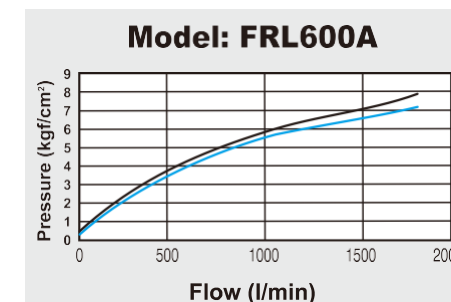
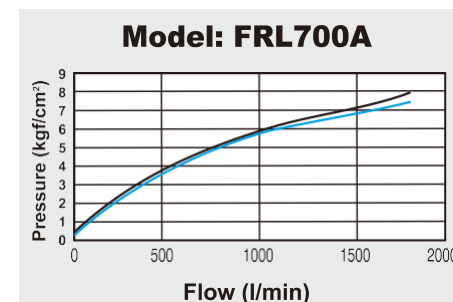
FRL700A-01, 02



FRL600A-01, 02



Flow chart



Note:
 X axis: Flow (l/min)
 Y axis: Pressure (kgf/cm²)
 Blue line (P0) = Outlet pressure
 Black line (P1) = Inlet pressure
 P1-P0=Pressure range