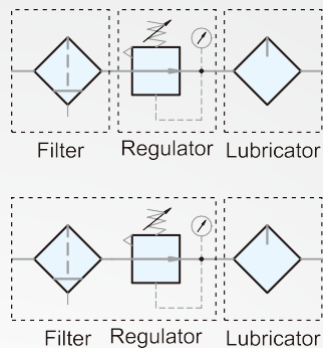


### Symbol



### Features

- \* Remove water and particle effectively.
- \* Compact size with effective air service.
- \* 40 $\mu$ m and 5 $\mu$ m filter element are easily interchangeable and replaceable.
- \* Accurate and easy pressure setting.
- \* Oil spray in mist ensures good lubrication for machines.
- \* Strict quality control offers product stable quality and long life.

Miniature FRL A type patent  
Patent number in Taiwan: 1888494  
Patent number in the US.: US6.733.044  
Patent number in China: 538716

### How to order

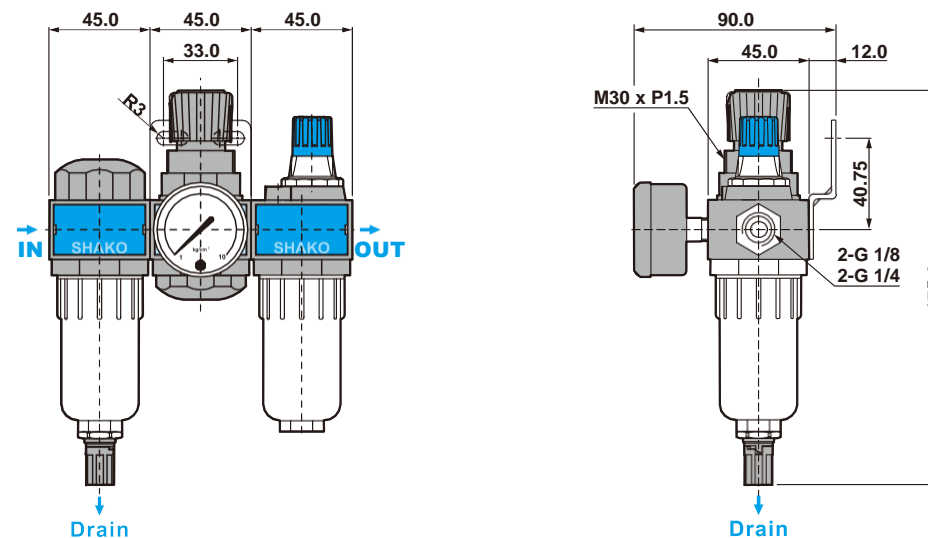
FRL700A		—	02	N	C	B	H	A	K
FRL700A	Miniature Filter+Regulator+Lubricator	Port size	Thread	Filtration	Gauge type	Drain	Bowl	Bowl guard	
FRL600A	Miniature Filter+Regulator+Lubricator	01 1/8"	Blank G	PE	Blank Circle	Blank Semi-auto drain	Blank Standard bowl	Blank W/O guard	
		02 1/4"	N NPT R Rc	Blank 5 $\mu$ m C 40 $\mu$ m Sintered brass S 5 $\mu$ m T 40 $\mu$ m	B Square	H Manual drain D Auto drain	A Anti-acid & alkali bowl	K W/I guard	

### Specifications

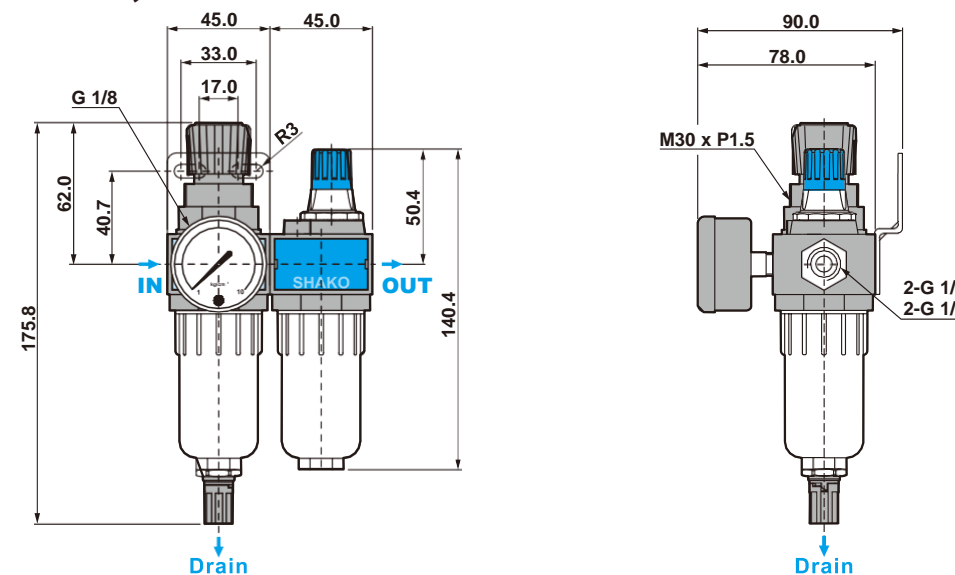
Model	FRL700A-01	FRL700A-02	FRL600A-01	FRL600A-02
Port size	1/8"	1/4"	1/8"	1/4"
Fluid	Compressed air			
Regulator construction	Diaphragm			
Body material	Polycarbonate			
Bowl material	Polycarbonate (Standard)			
Filtration	PE: 5 $\mu$ m (Standard) - 40 $\mu$ m (Option), Sintered brass (Option): 5 $\mu$ m - 40 $\mu$ m			
Operating pressure range	12 kgf/cm <sup>2</sup>			
Proof pressure (Standard bowl)	12 kgf/cm <sup>2</sup>			
Max. flow rate l/min (ANR)	1850		1650	1850
Ambient temperature	-10 $^{\circ}$ C ~ 60 $^{\circ}$ C			
Lubricator oil (Recommended)	ISO-VG32			
Filter bowl capacity	35cc			
Lubricator bowl capacity	50cc			
Standard drain	Semi-auto drain (Drains below 0.5kgf/cm <sup>2</sup> )			
Net weight	810g		560g	
Accessories	Pressure gauge, Mounting bracket, Plug, Screw x 2			

### Dimensions

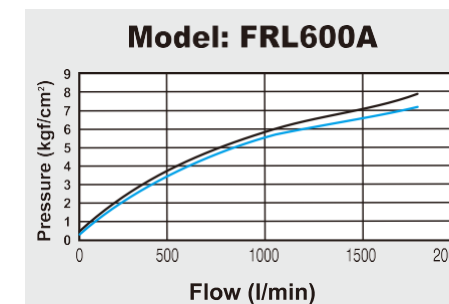
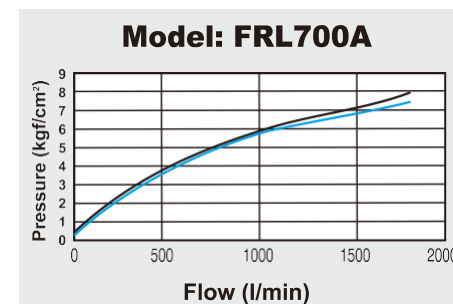
#### FRL700A-01, 02



#### FRL600A-01, 02



### Flow chart



**Note:**  
X axis: Flow (l/min)  
Y axis: Pressure (kgf/cm<sup>2</sup>)  
Blue line (P0) = Outlet pressure  
Black line (P1) = Inlet pressure  
P1-P0=Pressure range