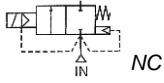


Media: air – water – fluid - gas
 Pressure range: 0.5 to 10 Bar max
 Media temperature: +5°C to 50°C
 Ambient temperature: +5°C to +40°C
 Media viscosity: 50 centistokes max
 Mounting: coil upright
 Opening / Closing : 100 mSec Max



2/2 Nylon

3/4 - 2" Anti Water Hammer

NORMALLY CLOSED

2 WAY SERVO ASSISTED

0.3 – 10 Bar

TYPE S401



PRESSURE

Ø Port BSP	Ø Orifice (mm)	Flow Kv Ltr/Min	Pressure Rating (Bar) ΔP		Seal	Part Number
			Min	Max		
3/4	27	140	0.3	10	EPDM	S4501E1 + voltage
1	27	200	0.3	10	EPDM	S4601E1 + voltage
1 1/2	55	520	0.3	10	NBR	S4701N1 + voltage
2	55	600	0.3	10	NBR	S4801N1 + voltage

OPTIONS

DIN43650A IP65 Coil and DIN Connector
 Flow controller & Manual Over ride
 NPT Thread
 Normally Open

ELECTRICAL DATA

Voltage (-10% + 10%) Continuous duty 100%		Coil	Power Consumption		Insulation class	Enclosure	Electrical connections
~	=		Inrush	Holding			
~	12 - 24 - 48 - 110 - 230 (50 or 60 Hz)	11630	26VA	14VA	F 155 °C	IP65	3 Spades DIN 43650A DIN40050 VDE0110
=	12 - 24 - 48 - 110 - 220(DC)		10 Watts				

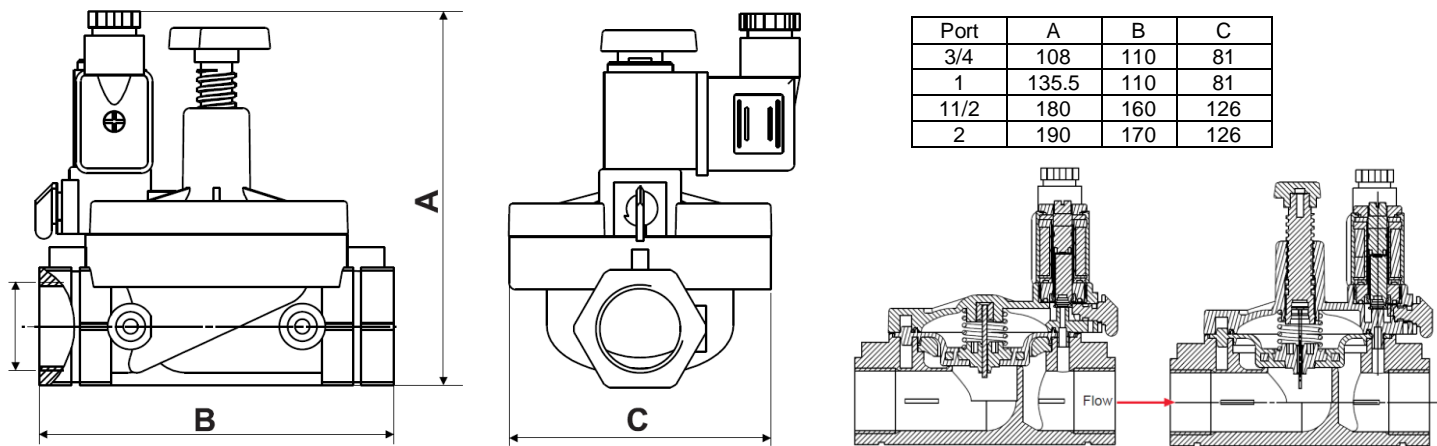
CONSTRUCTION

Body: Reinforced nylon
 Tube, bolts and internal parts: Stainless steel
 Diaphragm: EPDM 3/4 and 1", NBR 1 1/2 and 2"
 Moulded coil: Resin

REPAIR KIT

Diaphragm	SP + valve part number - DIAPHRAGM
Coil	11630 + voltage

OVERALL DIMENSIONS



ΔH (kg/cm²)

Head loss for fully open valve

