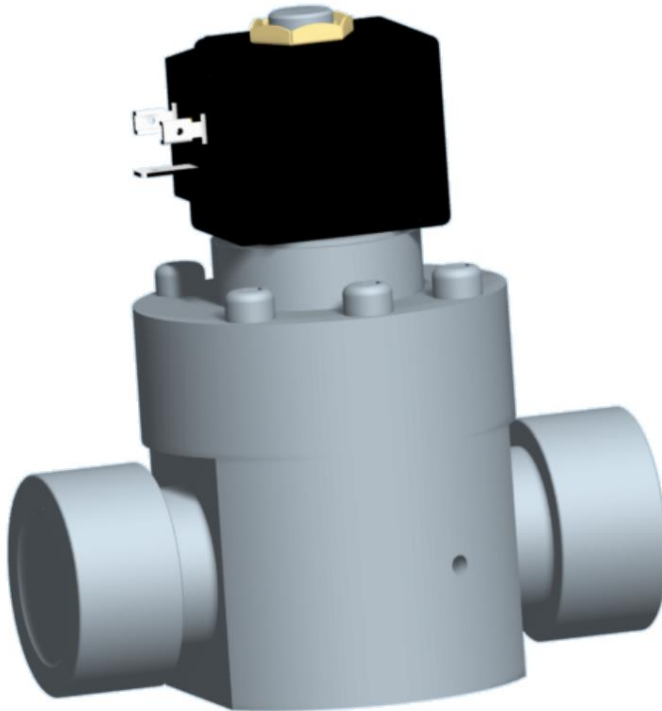


Connexion™



## SOLENOID VALVE 2/2 way

**PRESSURE ASSISTED  
WITH PISTON**

**CNXHP220.02**

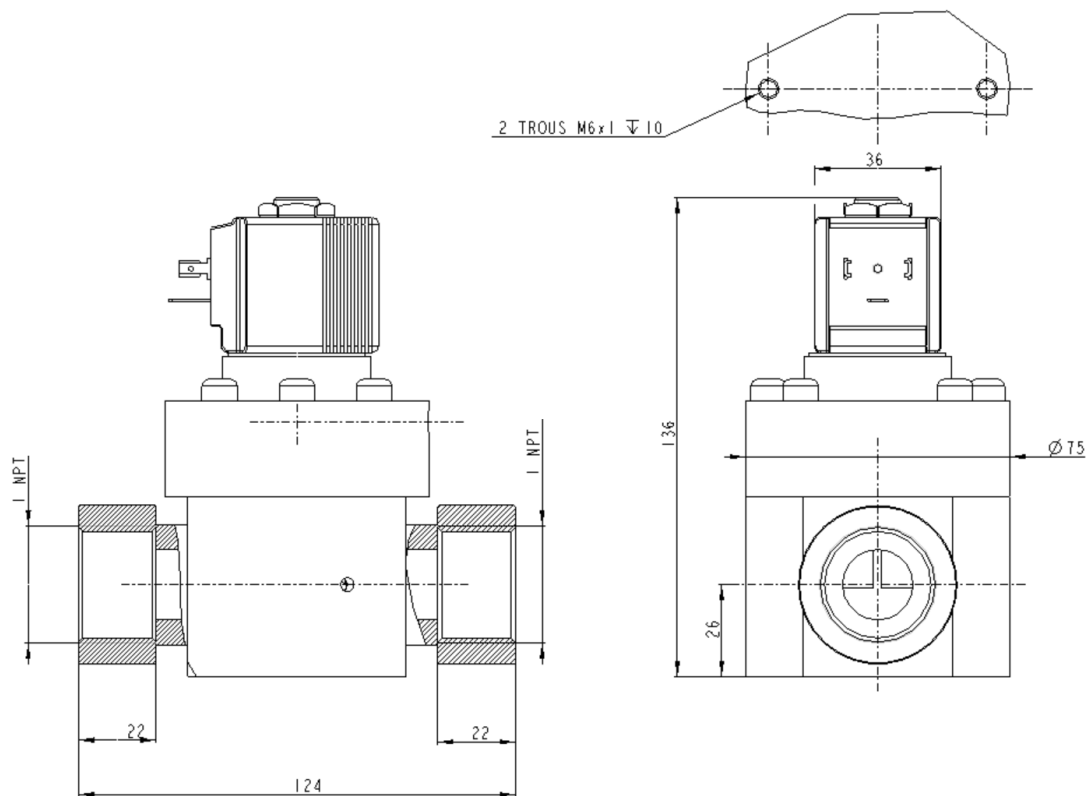
### TECHNICAL SPECIFICATIONS

Media : air – water – light oil  
 Pressure range : 1 to 200 bar max  
 Media temperature : 100° C max  
 Ambient temperature : -10° to +50° C max  
 Media viscosity : 40 centistokes max  
 Mounting : vertical position  
 Weight (including coil) : 3000 g  
 Opening or closing time : 20 ms max  
 Body material : stainless steel

| DN (mm) | Kv L/min | PRESSURE (bar) | PART NUMBER | FUNCTION | SEAT     | O'RING  | PORT               |
|---------|----------|----------------|-------------|----------|----------|---|--------------------|
| 20      | 93       | 1-200          | HP220.02    |          | PTFE (P) | NBR (N)<br>+60°C<br>FKM (F)<br>+100°C<br>EPDM (E)<br>+100°C<br>Option<br>PTFE (P)<br>+180°C | 1 NPT<br>1 BSP (G) |

| VOLTAGE |                           | POWER                      | PROTECTION                          | INSULATION CLASS | TYPE  |
|---------|---------------------------|----------------------------|-------------------------------------|------------------|---|
| DC=     | 12vDC<br>24vDC            | Power consumption 18 watts | IP 65<br>with connector<br>included | Class F 155°C    | <b>31400 (T36)</b><br>For pilot diameter 13mm<br> |
| AC      | 24vAC<br>110vAC<br>230vAC | Inrush 48Va - holding 24Va |                                     |                  |   |

## DIMENSIONS



**CNXHP220.02**

## OPTION

MANUAL OVERRIDE

POSITION FEED BACK OPEN + CLOSED

TEMPERATURE SENSOR FLUID

PRESSURE SENSOR

LATCHING – Bi-stable function

ATEX II 2 G Ex e mb IIC T4, T6 Gb II 2D Ex tb mb IIIC T130 ° C, T80 ° C Db IP 65, IP 67

*Other options available upon request*