

## Symbol



Lubricator

## Features

- \* Compact size with effective air service.
- \* Oil spray in mist ensures good lubrication for machines.



## How to order

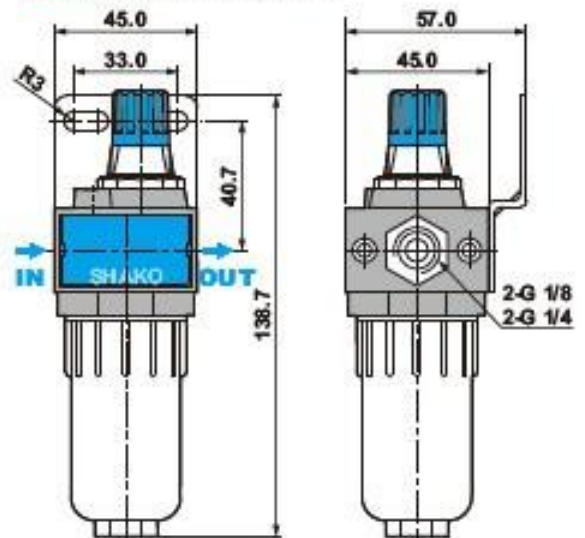
<b>L200A</b>	—	<b>02</b>	<b>N</b>	<b>B</b>	<b>A</b>	<b>K</b>
Miniature lubricator		Port size	Thread	Mounting bracket	Bowl	Bowl guard
		01 1/8"	Blank G	Blank W/O bracket	Blank Standard bowl	Blank W/O guard
		02 1/4"	N NPT	B W/l bracket	A Anti-acid & alkali bowl	K W/l guard
			R Rc			

## Specifications

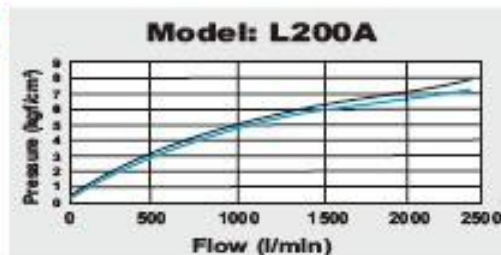
Model	L200A-01	L200A-02
Port size	1/8"	1/4"
Fluid	Compressed air	
Body material	Polycarbonate	
Bowl material	Polycarbonate (Standard)	
Operating pressure range	0.5 ~ 10 kgf/cm <sup>2</sup>	
Proof pressure	12 kgf/cm <sup>2</sup>	
Max. flow rate l/min (ANR)	2449	
Ambient temperature	-10°C ~ 60°C	
Lubricator oil (Recommended)	ISO-VG32	
Lubricator bowl capacity	50cc	
Net weight	165g	

## Dimensions

### L200A-01, 02



## Flow chart



### Note:

- X axis: Flow (l/min)
- Y axis: Pressure (kgf/cm<sup>2</sup>)
- Blue line (P0) = Outlet pressure
- Black line (P1) = Inlet pressure
- P1-P0 = Pressure range