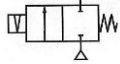


Media: water – gases – fluids  
 Pressure range: 0.5 to 10 Bar max  
 Media temperature: -5°C to +130°C max  
 Ambient temperature: -20°C to +60°C  
 Media viscosity: 50 centistokes max  
 Mounting: coil upright  
 Open / Close time: 0.5 to 3 Secs Max  
 WRAS approval: 2304324



Latching

# 2/2 Brass

## 3/8 – 2”

### Latching (Anti Water Hammer)

### 2 WAY SERVO ASSISTED

### 0.5 – 15 Bar

## TYPE LPU225D




#### 2/2 NORMALLY CLOSED

Ø Port BSP	Ø Orifice (mm)	Flow Kv Ltr/ min	Open Close Time Sec	Pressure Rating (Bar) ΔP		Max Working	Seals	Part Number
				Min	Max			
3/8	13	40.0	0.5	0.5	10	15	EPDM WRAS Approval 2304324	LPU225D03 + voltage
1/2	13	40.0	0.5	0.5	10	15		LPU225D04 + voltage
3/4	25	165.0	2	0.5	10	15		LPU225D06 + voltage
1	25	165.0	2	0.5	10	15		LPU225D08 + voltage
1 1/4	38	367	2.5	0.5	10	15		LPU225D12 + voltage
1 1/2	38	500	2.5	0.5	10	15		LPU225D14 + voltage
2	50	600	3	0.5	10	15		LPU225D20 + voltage

#### OPTIONS

IP65 Latching Coil & Connector PG9 – DIN 43650 A NPT Thread degreased or flanged ends	Included +10% TBA
---	-------------------------

#### ELECTRICAL DATA

Voltage (-10% + 20%)	Coil	Power Consumption	Insulation class	Enclosure	Electrical connections
= 6VDC or 12DC	22003L	6 Watts	F 155°C	IP 65 with connector	3 spades DIN 43650A DIN 40050 VDE 0110
		5-20 millisecond pulse			
		<b>Stay Closed = (-ve T1 / +ve T2)</b>  <b>Stay Open = (+ve T1 / -ve T2)</b>			

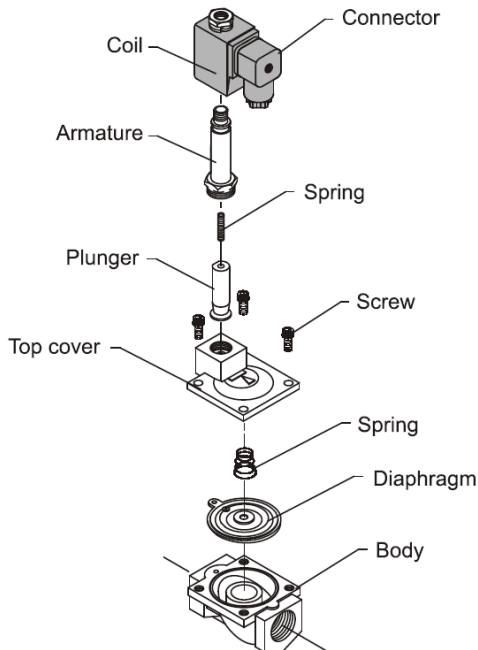
#### CONSTRUCTION

Body: Forged Brass SS41, Tube and internal parts: Stainless steel  
 Seals and gaskets: EPDM WRAS approval 2304324  
 Moulded coil: 15 Watt ThermoSet Resin

#### REPAIR KIT

Seal kit	ZGPU225D + Size code (03-20)
Coil	22003L + voltage

#### OVERALL DIMENSIONS



Port	A	B	C	Kg
3/8 1/2	66.5	106.5	48	0.725
3/4 1	96	126.5	70	1.565
1 1/4 1 1/2	131.5	145.5	96	2.56
2	160	160.5	112	3.9

