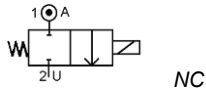


Media: vacuum (10 Torr) -Gases – water – light oil
 Pressure range: 0 to 10 Bar Max
 Media temperature: -10°C to +90°C Max
 Ambient temperature: -30°C to +40°C (+50°C*)
 Media viscosity: 50 centistokes
 Mounting: preferred coil upright
 Opening / Closing 100 mSec Max



2/2 Stainless

1/2 – 2”
 NORMALLY CLOSED
 2 WAY ASSISTED LIFT
 0 – 10 Bar
 TYPE MD316



PRESSURE

Ø Port BSPT	Ø Orifice (mm)	Flow Kv Ltr/ min	Pressure Rating (Bar)			Seals	Part Number
			Min	AC Air/Water	DC Air/ Water		
1/2	16	52.9	0	10	8	7	EPDM NBR VITON MD15316M16E + voltage MD15316M16N + voltage MD15316M16V + voltage
3/4	23	90	0	10	8	7	EPDM NBR VITON MD20316M16E + voltage MD20316M16N + voltage MD20316M16V + voltage
1	28	114.4	0	10	8	7	EPDM NBR VITON MD25316M16E + voltage MD25316M16N + voltage MD25316M16V + voltage
1 1/4	32	185.9	0	10	8	7	EPDM NBR VITON MD32316M16E + voltage MD32316M16N + voltage MD32316M16V + voltage
1 1/2	40	290.3	0	10	8	7	EPDM NBR VITON MD40316M16E + voltage MD40316M16N + voltage MD40316M16V + voltage
2	50	457	0	10	8	7	EPDM NBR VITON MD50316M16E + voltage MD50316M16N + voltage MD50316M16V + voltage

OPTIONS

IP65 Coil & Connector PG11 – DIN 43650 A
 NPT or BSPP (G) Thread
 Without Shading Ring (DC voltages only)
 With Silver Shading Ring (AC or DC voltages)
 M17 Class N High Power Coil +50°C Ambient, 0 to 16 Bar (MDxx316M17 + seal + voltage)

Included

ELECTRICAL DATA

Voltage (-10% + 10%) Continuous Duty 100%	Coil	Power Consumption		Insulation class	Enclosure	Electrical connections
		Inrush	Holding			
~ 24 - 110 - 230 (50 or 60 Hz)	M16	70VA	35VA	F 155°C	IP 65 with connector	3 spades DIN 43650A DIN 40050 VDE 0110
= 12 - 24 - 48 - 125 (DC)		26 Watts				

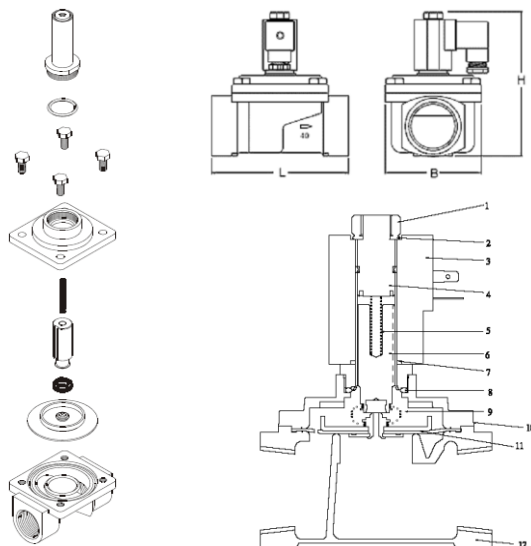
CONSTRUCTION

Body: 316 Stainless Steel (CF8M)
 Tube and internal parts: 304, 430F Stainless steel
 Seals and gaskets: EPDM (Optional NBR or Viton®)
 Shading Ring: Copper
 Moulded coil: Resin Class F

REPAIR KIT

Seal kit	MD15~50 + seal material - KIT
Coil	Coil type (M16 or M17) + voltage

OVERALL DIMENSIONS



Model	Port	L	B	H	Kg
MD15	1/2	70	52	112	0.8
MD20	3/4	80	62	122	1
MD25	1	90	72	132	1.25
MD32	1 1/4	120	83	138	1.9
MD40	1 1/2	136	97	140	2.6
MD50	2	160	112	150	4

Part	Description	Material
1	Nut	SUS304
2	O Ring	NBR
3	IP65 Moulded Coil	
4	Packless Ass'y	SUS304
5	Plunger Spring	SUS304
6	Plunger	SUS304, KM31
7	O Ring	NBR
8	O Ring	NBR
9	Spring	SUS304
10	Valve Bonnet	3/8-1" C3771BE/SCS14 1 1/4 – 2" BC 6/SCS14
11	Diaphragm	SUS304, BSBF(SUS304) NBR, EPDM or Viton
12	Valve Body	3/8-1" C3771BE/SCS14 1 1/4 – 2" BC 6/SCS14