

#### Features

- \* Miniature and Compact size, 15mm width, large flow rate (0.25Cv).
- \* Manual override design for easy test and operation.
- \* Anodized aluminum body and strict quality control provide a long durability.
- \* Quick acting, low starting pressure.



#### How to order

<b>PU521</b>	<b>A</b>	<b>F</b>	-	<b>M5</b>	<b>S</b>	<b>2</b>	<b>D</b>	<b>LED</b>
15mm valves series	Valve type	Manifold		Port size	Solenoid	Voltage	Coil type	LED
5/2 way	A Body ported B Base mounted	Blank Standard (W/O manifold) F01 W/I single sub base (B type) F02 2 stations manifold (B type) Fxx xx stations manifold (B type) M02 2 stations manifold (A type) Mxx xx stations manifold (A type)		M5 M5	S Single solenoid D Double solenoid	1 110VAC 2 220VAC 9 24VDC	Blank Lead wire D DIN	Blank (W/O LED)

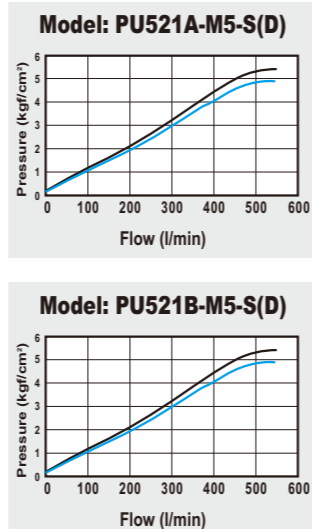
#### How to order manifold

<b>MF521</b>	<b>A</b>	-	<b>M5</b>	<b>02</b>
15mm valves series	Manifold type			Stations
5/2 way	A For body ported valve B For base mounted valve			02 2 stations 03 3 stations XX XX stations

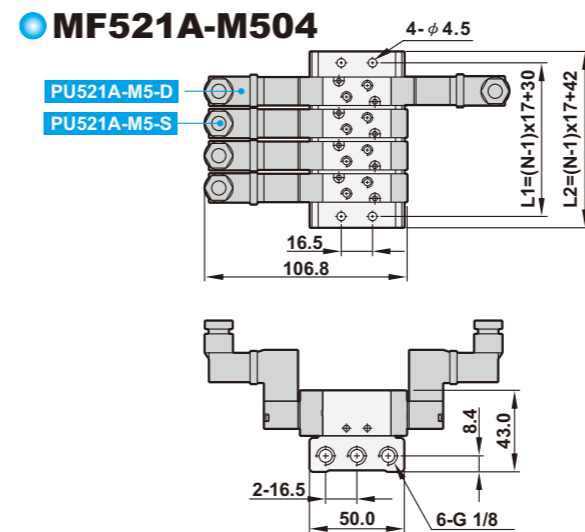
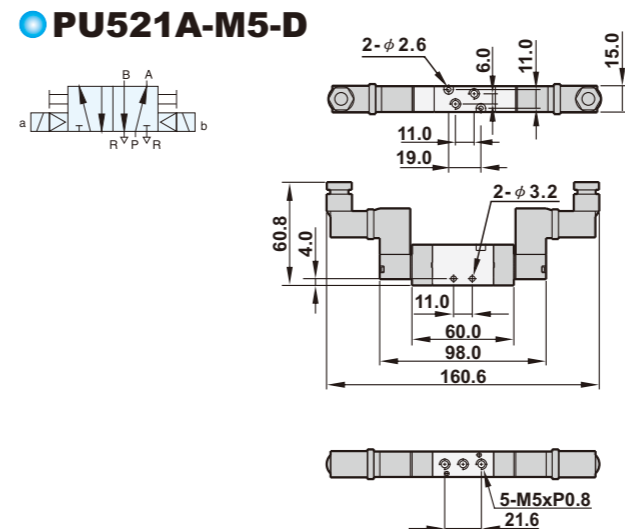
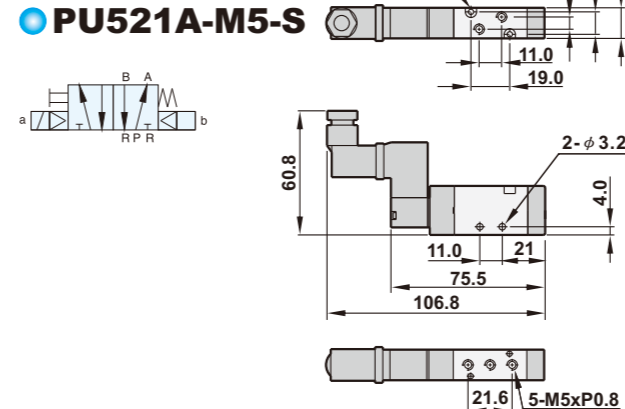
#### Specifications

Model	PU521A-M5-S(D)	PU521B-M5-S(D)
Port size	M5	
Body material	Aluminum alloy	
Fluid	Compressed air	
Acting	Internal pilot	
Operating pressure range	1 ~ 8 kgf/cm <sup>2</sup>	
Proof pressure	9 kgf/cm <sup>2</sup>	
Effective area	3.5mm <sup>2</sup>	
Cycle rate	120 cpm	
Ambient temperature	-10°C ~ 50°C	
Duty cycle	100% ED	
Coil type	Lead wire(Standard), DIN(Optional)	
Protection class	IP65(DIN 40 050)	
Insulation class	F	
Voltage tolerance	± 10%	
Standard voltage	220VAC, 110VAC, 24VDC (The other voltage is optional)	
Net weight	96g	106g

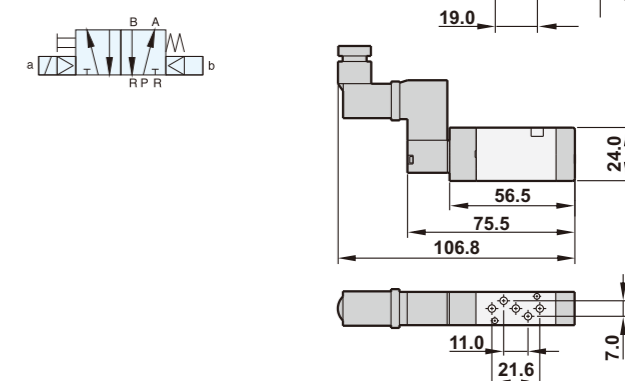
#### Flow chart



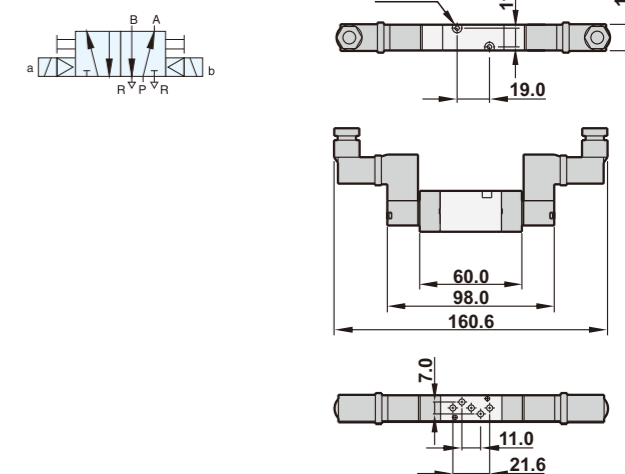
#### Dimensions



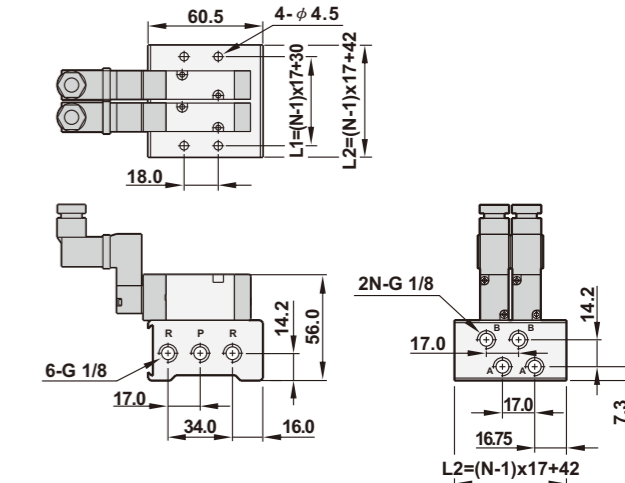
#### PU521B-M5-S



#### PU521B-M5-D



#### MF521B-M502



Number of station (N)	2	3	4	5	6	7	8	9	10
L1	47.0	64.0	81.0	98.0	115.0	132.0	149.0	166.0	183.0
L2	59.0	76.0	93.0	110.0	127.0	144.0	161.0	178.0	195.0