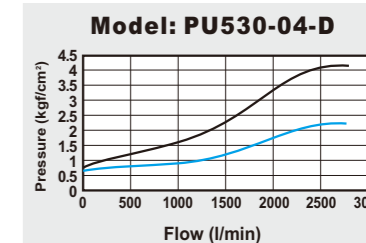
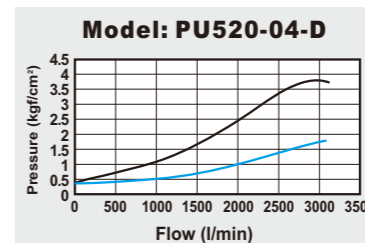
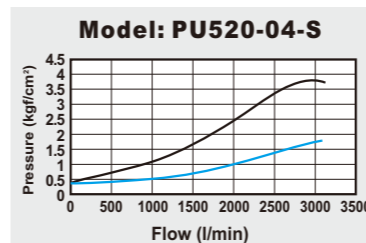
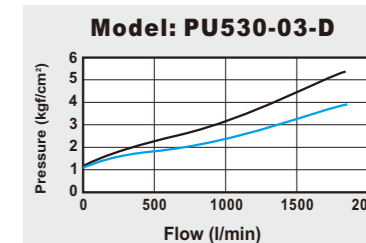
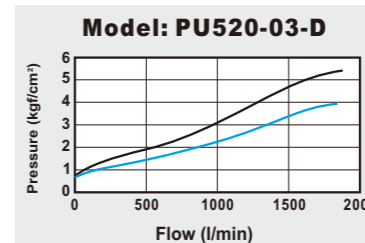
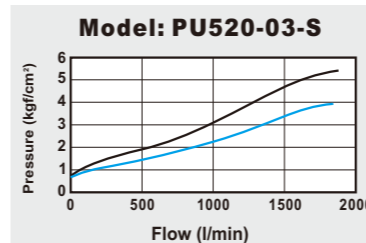
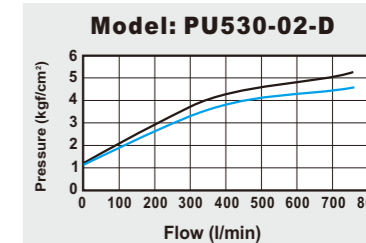
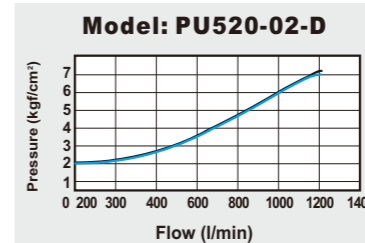
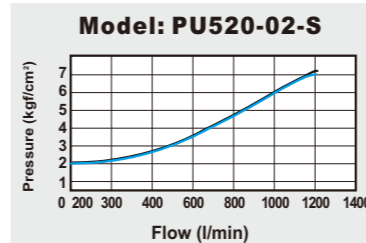


### Features

- \* Medium size and large flow rate.
- \* Lockable manual override for easy operation.
- \* Aluminum body with surface anodizing treatment and strict quality control for long durability.
- \* Coil nut is available, please refer to page 7-4.
- \* Ex-proof coil is available, please refer to page 7-8.



### Flow chart



### How to order

<b>PU520</b>	<b>X</b>	<b>02</b>	<b>N</b>	<b>S</b>	<b>2</b>	<b>LED</b>	<b>E1</b>
PU series	Acting style	Port size	Thread	Solenoid	Voltage	LED	Coil type
520 5/2 way	Blank Standard	02 1/4"	Blank G	S Single solenoid	1 110VAC	Blank (W/O LED)	Blank DIN
530 5/3 way	5/3 way	03 3/8"	N NPT	D Double solenoid	2 220VAC		F Lead wire
	X Exhaust center	04 1/2"	R Rc	5/3 way valve is only available for double solenoid	9 24VDC		E1 EX-proof 22mm width
	Y Pressurized center	01 1/8" Option					E2 EX-proof 30mm width
							E3 EX-proof CSA standard

### How to order manifold

<b>MF520</b>	<b>02</b>	<b>N</b>	<b>02</b>
PU valves series	Port size	Thread	Stations
	02 1/4"	Blank G	02 2 stations
	03 3/8"	N NPT	03 3 stations
	04 1/2"	R Rc	XX XX stations

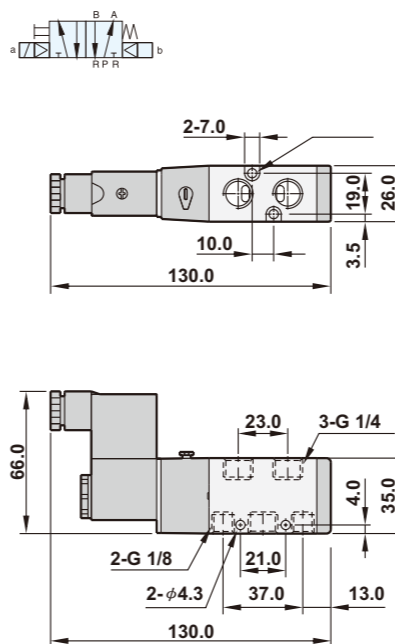
\* Please refer to page P7-8 for the details of ex-proof coil. ▲

### Specifications

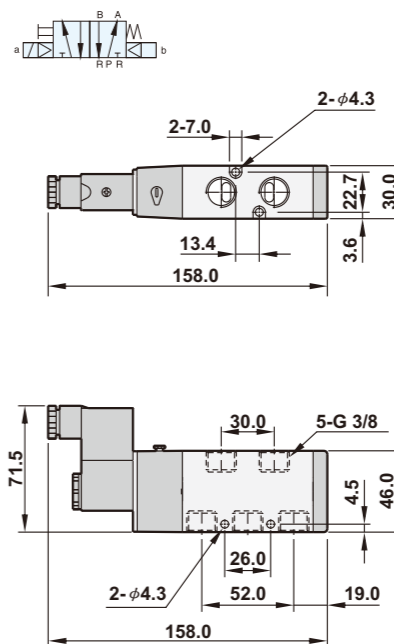
Model	PU520-02-S(D)	PU530-02-D	PU520-03-S(D)	PU530-03-D	PU520-04-S(D)	PU530-04-D
Port size	1/4", 1/8" (Exhaust ports)		3/8"		1/2"	
Body material	Aluminum alloy					
Fluid	Compressed air					
Effective area	18mm <sup>2</sup>	14mm <sup>2</sup>	35mm <sup>2</sup>	32mm <sup>2</sup>	70mm <sup>2</sup>	54mm <sup>2</sup>
Acting	Internal pilot					
Operating pressure range	1.5~8 kgf/cm <sup>2</sup>	2~8 kgf/cm <sup>2</sup>	1.5~8 kgf/cm <sup>2</sup>		2~8 kgf/cm <sup>2</sup>	
Proof pressure	9.9 kgf/cm <sup>2</sup>					
Ambient temperature	-10°C ~ 60°C					
Duty cycle	100% ED					
Coil type	DIN (Standard)					
Protection class	IP65 (DIN 40 050)					
Insulation class	F					
Voltage tolerance	±10%					
Standard voltage	220VAC, 110VAC, 24VDC (The other voltage is optional)					
Net weight	270g / 335g	475g	430g / 525g	715g	665g / 770g	1045g

### Dimensions

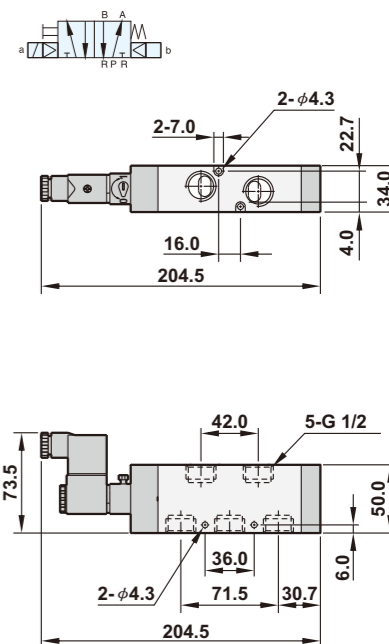
#### PU520-02-S



#### PU520-03-S



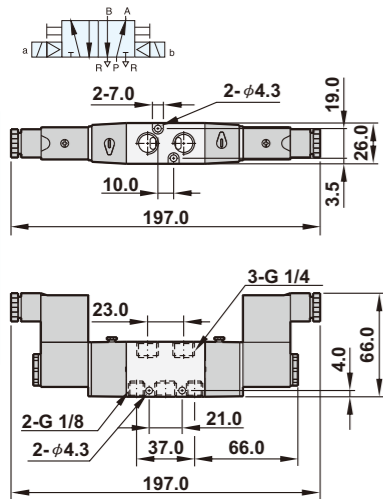
#### PU520-04-S



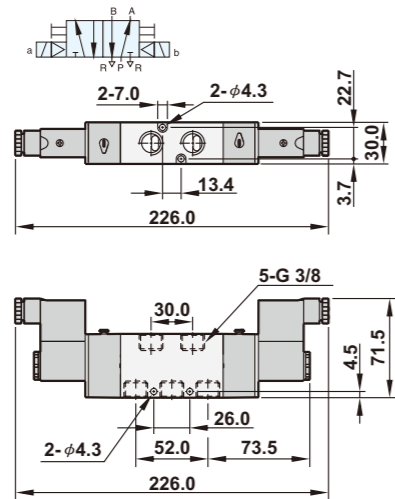
SOLENOID VALVES

### Dimensions

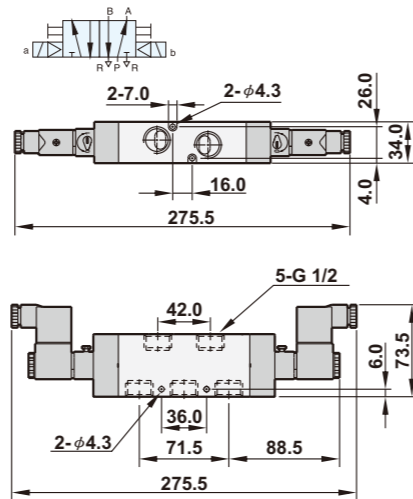
#### PU520-02-D



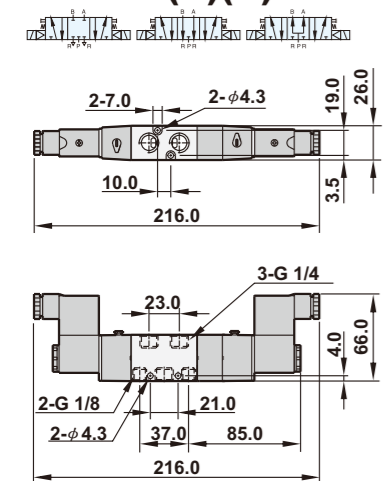
#### PU520-03-D



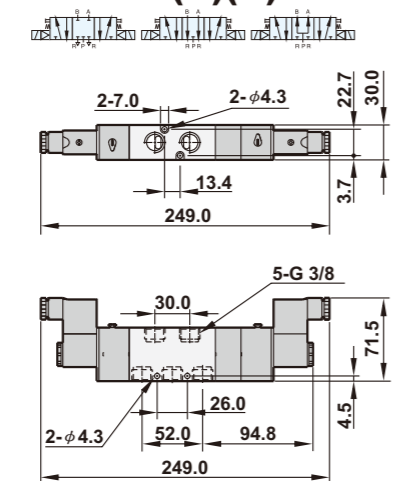
#### PU520-04-D



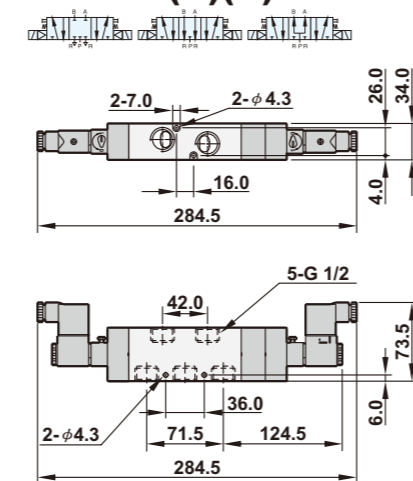
#### PU530(X)(Y)-02D



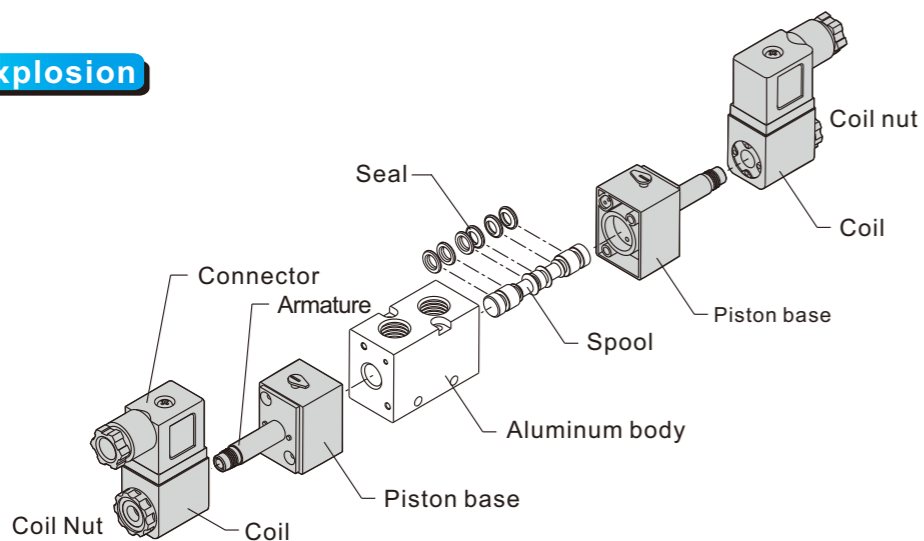
#### PU530(X)(Y)-03D



#### PU530(X)(Y)-04D

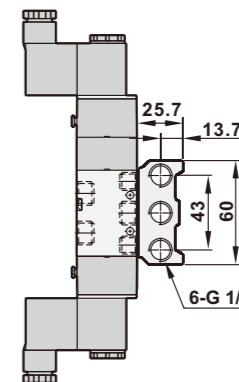
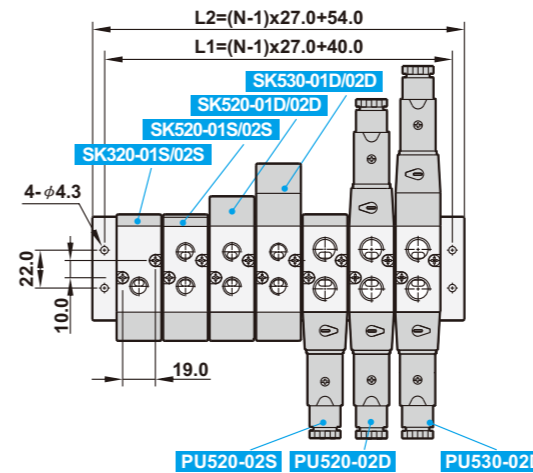


### Explosion



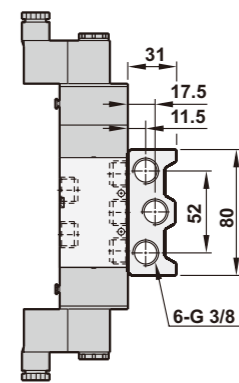
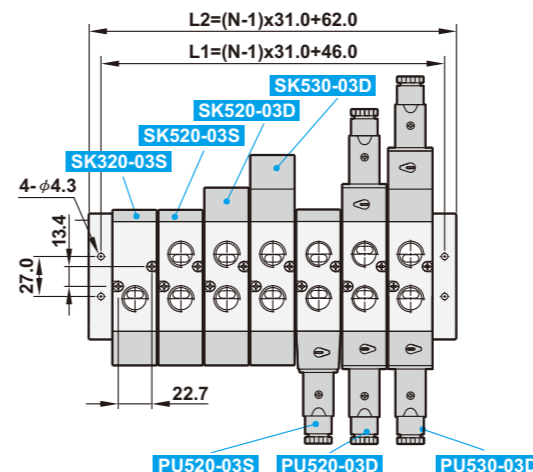
### Dimensions

#### MF520-0206



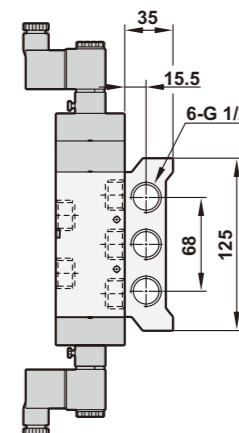
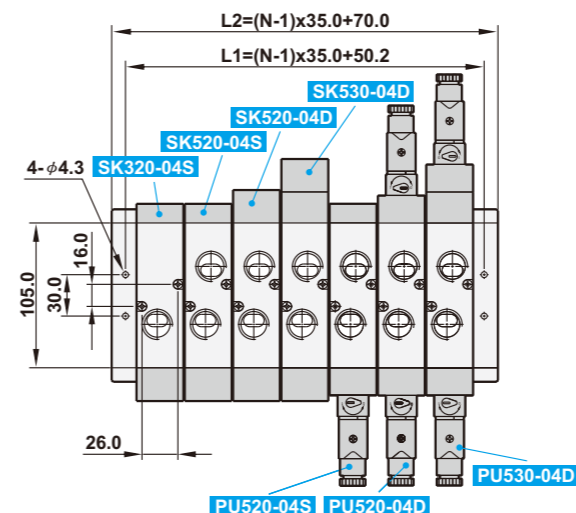
Number of station (N)	L1	L2
2	67.0	81.0
3	94.0	108.0
4	121.0	135.0
5	148.0	162.0
6	175.0	189.0
7	202.0	216.0
8	229.0	243.0
9	256.0	270.0
10	283.0	297.0

#### MF520-0306



Number of station (N)	L1	L2
2	77.0	93.0
3	108.0	124.0
4	139.0	155.0
5	170.0	186.0
6	201.0	217.0
7	232.0	248.0
8	263.0	279.0
9	294.0	310.0
10	325.0	341.0

#### MF520-0407



Number of station (N)	L1	L2
2	85.2	105.0
3	120.2	140.0
4	155.2	175.0
5	190.2	210.0
6	225.2	245.0
7	260.2	280.0
8	295.2	315.0
9	330.2	350.0
10	365.2	385.0

SOLENOID VALVES