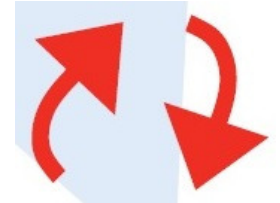


PR

RU

Pulse Valve



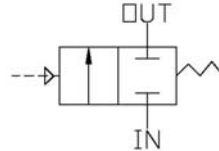
ISO 9001 Certificate



PR
RU

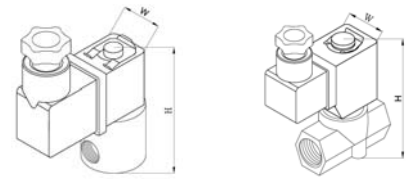


Opening: 20~50ms ,
Closing: 100~400ms
Ambient Temperature.. : -15~50°C



SPECIFICATIONS: Aluminum Die Casting Body N.C., for Air.

Type	CODE (PIPE)	Orifice mm	Seal	Coil #	Working Pressure bar	Temp. °C
PR	20(3/4")	25	NBR	NS CS	0.5~7	-5~80
	25(1")	30				
	40(1-1/2")	45				
	50(2")	57				
	65(2-1/2")	72				
	80(3")	80				
RU	25(1")	30				
	40(1-1/2")	45				



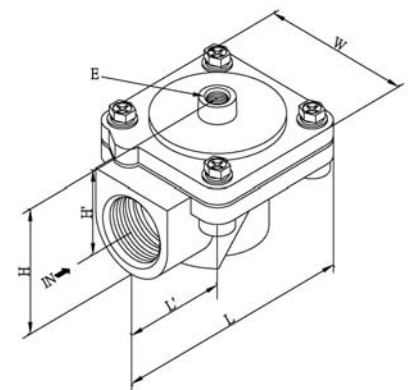
NS CS
Please refer to NS/CS catalog.

TYPE INDICATION:

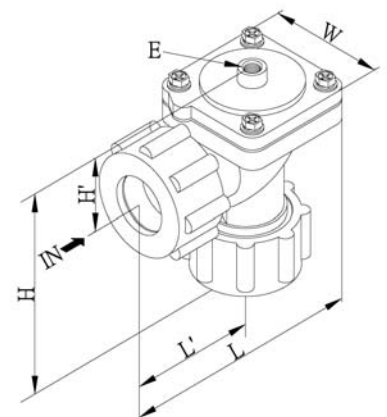
TYPE	CODE	SOLENOID VALVE
PR	20 (3/4")	□ : NONE
	25 (1")	N : 1/8"NS
	40 (1-1/2")	C : 3/8"CS
	50 (2")	
	65 (2-1/2")	
	80 (3")	

TYPE	CODE	SOLENOID VALVE
RU	25 (1")	□ : NONE
	40 (1-1/2")	N : 1/8"NS C : 3/8"CS

PR



RU



DIMENSIONS:

TYPE	CODE	L	L'	H	H'	E	W	N.T. kg
PR	20	90	52	64	56	1/8"	75	0.4
	25	90	52	64	56	1/8"	75	0.4
	40	140	72	120	90	1/8"	137	1.3
	50	181	95	157	112	3/8"	170	2.9
	65	181	95	157	112	3/8"	170	2.8
	80	215	118	194	136	3/8"	195	2.4
RU	25	114	77	116	47	1/8"	75	0.86
	40	169	100	167	96	3/8"	137	2.12

TYPE INDICATION :

Example : PR40

Type PR · 1-1/2" PIPE

Connexion Developments Ltd

Unit 3 Rainbow Court, Armstrong Way, Yate, Bristol, BS37 5NG, England
Tel: 0800 808 7799 Int: +44 1454 334990 Fax: 0800 808 7700 Int: +44 (0) 1454 326390
Company Registered: 03502257 VAT No: 712906844
sales@solenoid-valves.com www.solenoid-valve.world