

Features

1. Pilot acting for low starting pressure.
2. Large flow rate.
3. Quick response.
4. Specially for steam use.
5. Flange type is available for JIS 10K, ANSI 150LB and PN16.
6. Ex-proof coil T4 as optional accessory, please refer to page 5-9.
7. Timer for setting on/off time as optional accessory.
8. Coil nut is available, please refer to page 5-3.



How to order

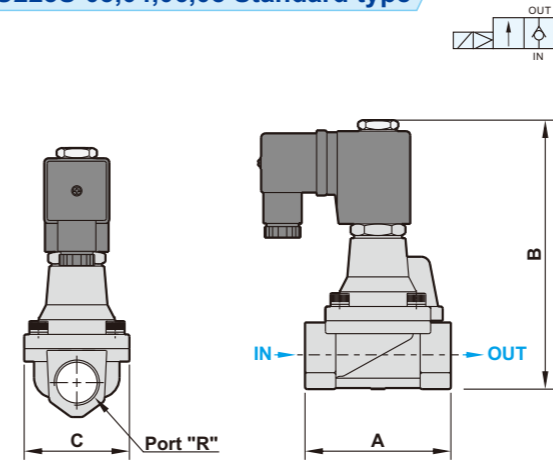
PU225S	F	-	03	N	-	S1	L	E
Brass	Flange type		Port size	Thread		Voltage	Led	Ex-Proof coil
Pilot acting	F : 10K		03 : 3/8" 12 : 1 1/4"	Blank : G		S1 : 110VAC	Blank : W/O LED	Blank : Standard
Steam	F3 : 150LB		04 : 1/2" 14 : 1 1/2"	N : NPT		S2 : 220VAC	L : W/I LED	E : EX-proof coil
	F4 : PN16		06 : 3/4" 20 : 2"	R : Rc		S6 : 24VAC		
			08 : 1"			S7 : 12VDC		
						S9 : 24VDC		

Specifications

Model	PU225S-03	PU225S-04	PU225S-06	PU225S-08	PU225S-12	PU225S-14	PU225S-20
Port size	3/8"	1/2"	3/4"	1"	1 1/4"	1 1/2"	2"
Fluid	Compressed air, Hot water, Steam						
Orifice	13mm		25mm		40mm		50mm
Effective area	88mm ²		230mm ²		552mm ²	600mm ²	984mm ²
Acting	Pilot acting						
Construction	Piston						
Operating pressure range	0.5 ~ 10 kgf/cm ²						
Proof pressure	15 kgf/cm ²				30 kgf/cm ²		
Body material	Forged brass / Steel						
Piston ring	SUS 304				Copper		
Fluid temperature	F: -5°C ~ 150°C (H: -5°C ~ 180°C)				F: -5°C ~ 150°C (H: -5°C ~ 185°C)		
Ambient temperature	-10°C ~ 60°C				-20°C ~ 60°C		
Installation	Horizontal						
Duty cycle	100% ED						
Coil type	DIN						
Protection class	IP65 (DIN 40 050)						
Insulation class	F (Optin: H class coil)						
Voltage tolerance	±10%						
Standard voltage	220VAC, 110VAC, 24VDC, the other voltage is optional						
Power consumption	AC110V: 17.6VA, AC220V: 18.1VA, DC: 15W						
Net weight	860g	840g	1800g	1750g	3490g	3450g	4660g

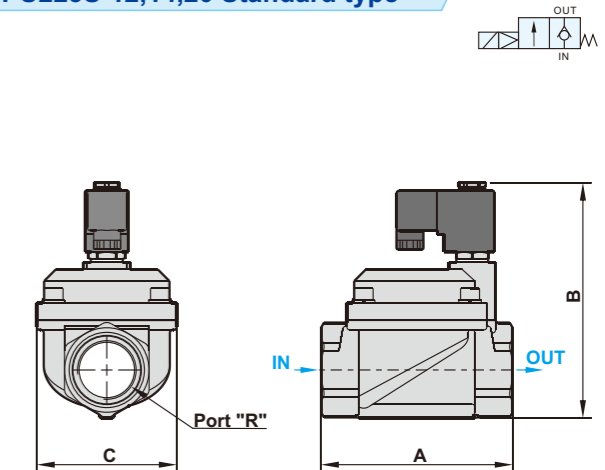
Dimensions

PU225S-03,04,06,08 Standard type



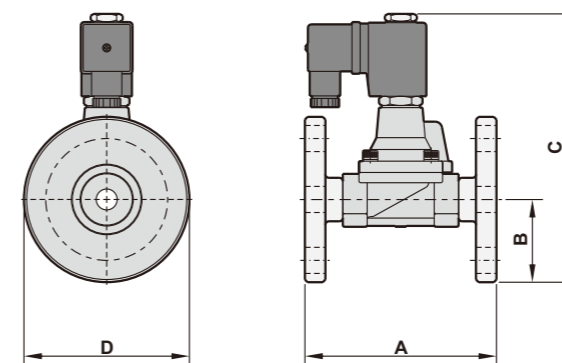
Model	R	A	B	C
PU225S-03	3/8"	66.5	125	48.5
PU225S-04	1/2"	66.5	125	48.5
PU225S-06	3/4"	96	151.5	70
PU225S-08	1"	96	151.5	70

PU225S-12,14,20 Standard type



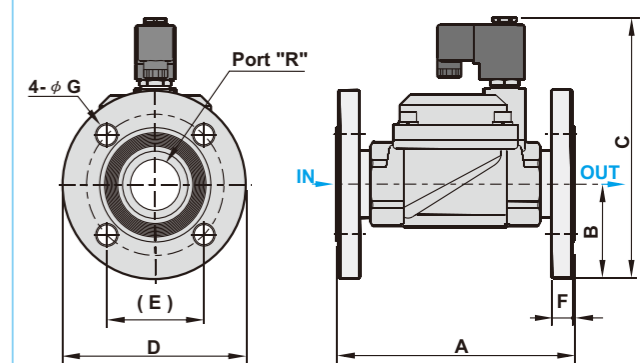
Model	R	A	B	C
PU225S-12	1 1/4"	131.5	161.5	96
PU225S-14	1 1/2"	131.5	161.5	96
PU225S-20	2"	160	174.3	112

PU225S-03,04,06,08 Flange type (10K)



Model	R	A	B	C	D
PU225S-03	3/8"	110	45	151.7	90
PU225S-04	1/2"	110	47.5	154.2	95
PU225S-06	3/4"	148	50	183	100
PU225S-08	1"	150.6	62.5	191	125

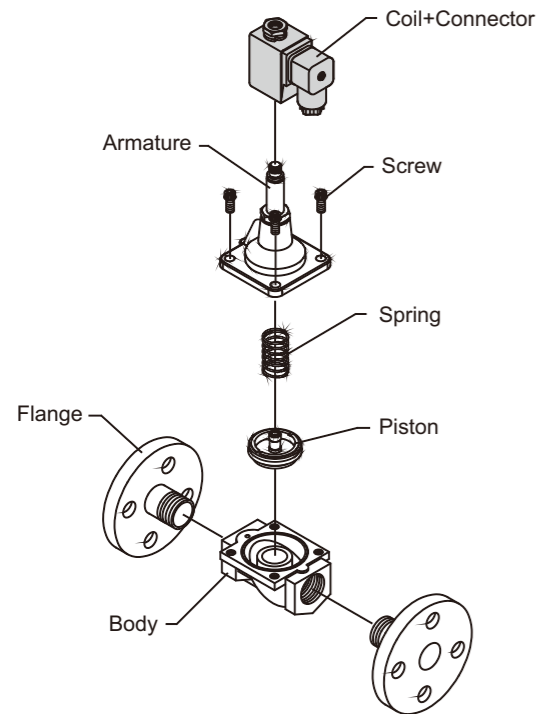
PU225S-12,14,20 Flange type (10K)



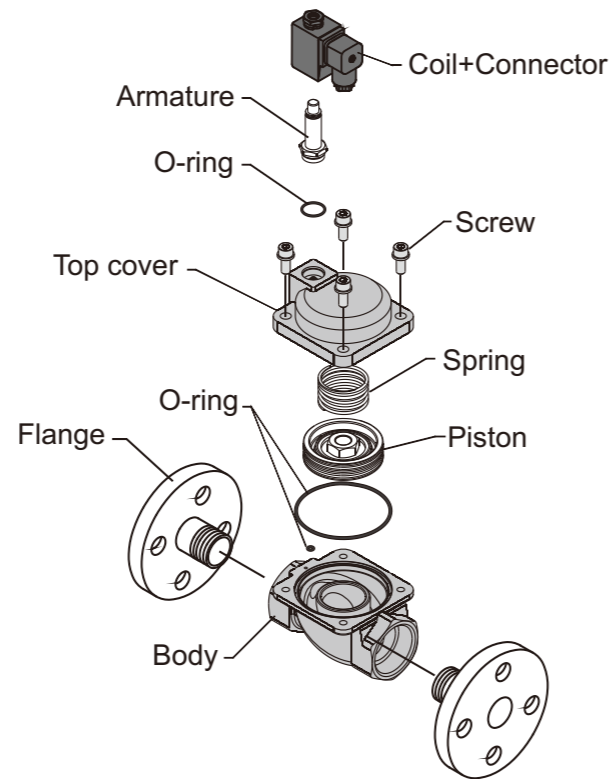
Model	R	A	B	C	D	E	F	G
PU225S-12	1 1/4"	182.5	70	205	140	74.5	16	15
PU225S-14	1 1/2"	182.5	70	205	140	74.5	16	15
PU225S-20	2"	212	77.5	212.3	155	85	16	19

Explosion

PU225S-03,04,06,08



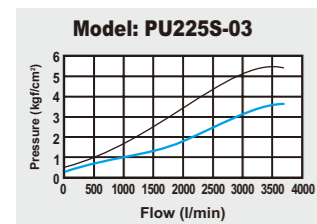
PU225S-12,14,20



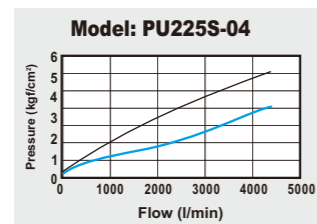
Memo...

Flow chart

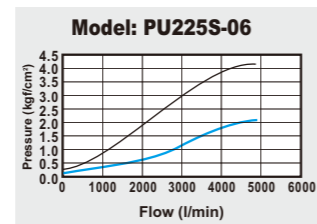
3/8" Pilot acting



1/2" Pilot acting



3/4" Pilot acting



1" Pilot acting

