

Queen

2-Way Kick Pilot Operated Diaphragm Solenoid Valves Normally Closed, Energized to Open



MD-15SCS14-M16

Features:

1. Suitable for air, inert gases, vacuum (10 TORR), water, kerosene oil, and oil (Below 50 cst).
2. Diaphragm-operated, pressure range from vacuum (10 TORR) up to 10kg*f/cm², quick acting.
3. Can be mounted in vertical and horizontal position.

Model	Connection	Orifice (mm)	Cv Value	Operating pressure (kg*f/cm ²)		Max. Media Temp.	Power Consumption VA	H	L	B
				Air, Water Inert gases	Oil (Below 50cst)					
MD-10WAG-M16	PT 3/8"	16	3.7	0-10	0-7	90°C	26(DC) 35(AC)	52	70	57
MD-15WAG(SCS14)-M16	PT 1/2"	16	3.7							
MD-20WAG(SCS14)-M16	PT 3/4"	23	6.3							
MD-25WAG(SCS14)-M16	PT 1"	28	8							
MD-32WAG(SCS14)-M16	PT 1-1/4"	32	13							
MD-40WAG(SCS14)-M16	PT 1-1/2"	40	20.3							
MD-50WAG(SCS14)-M16	PT 2"	50	32							

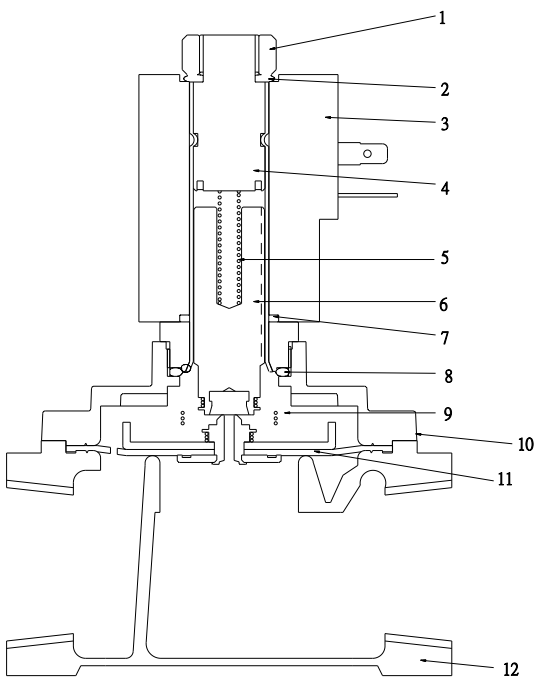
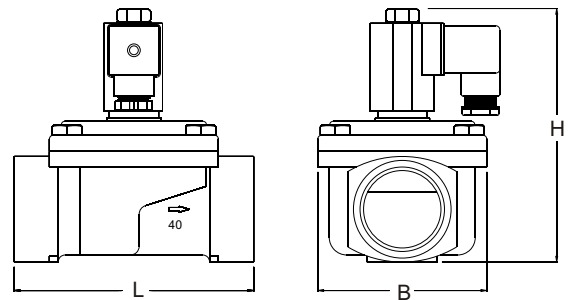
* NPT On request. * (SCS14) Valve bonnet, Valve body material SCS14.



MD-15WAG-M16



MD-40WAG-M16



NO.	Descriptions	Material
1	NUT	Aluminium
2	O ring	NBR
3	IP 65 molding coil	
4	Packless a'ssy	SUS304, KM-31
5	Plunger spring	SUS304
6	Plunger	KM-31
7	O ring	NBR
8	O ring	NBR
9	Spring	SUS304
10	Valve bonnet	3/8"~1"(C3771BE/SCS14) 1-1/4"~2"(BC 6/SCS14)
11	Diaphragm a'ssy	SUS304, BSBF(SUS304) NBR(EPDM)(VITON)
12	Valve body	3/8"~1"(C3771BE/SCS14) 1-1/4"~2"(BC 6/SCS14)

* (SCS14) Valve bonnet, Valve body material SCS14.