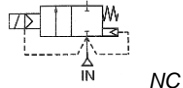


Media: air – water – gas – light oil
 Pressure range: 0.3 to 16 Bar max
 Media temperature: -30°C +140°C max
 Ambient temperature: +80°C Max
 Media viscosity: 50 centistokes max
 Mounting: Any Position
 Open: 1–5 Sec Close: 2.5-10 Sec Max



2/2 Brass WRAS

1 1/4 - 2

NORMALLY CLOSED

2 WAY SERVO ASSISTED

0.3 – 16 Bar

TYPE EV220B



PRESSURE

Ø Port BSP	Ø Orifice (mm)	Flow Kv m³/h	Pressure Rating (Bar) ΔP		Operating Time Seconds		Voltage	Part Number
			Min	Max	Open	Close		
1/2	15	4	0.3	16	0.04	0.35	AC DC	032U7115 + voltage
3/4	20	8	0.3	16	0.04	1	AC DC	032U7120 + voltage
1	25	11	0.3	16	0.3	1	AC DC	032U7125 + voltage
1 1/4	32	18	0.3	16	1	2.5	AC DC	032U7132 + voltage
1 1/2	40	24	0.3	16	1.5	4	AC DC	032U7140 + voltage
2	50	40	0.3	16	5	10	AC DC	032U7150 + voltage

OPTIONS

IP65 Coil & Connector PG9 – DIN 43650 A
 Anti Water Hammer
 NPT Thread
 Spare DC BB coil (12vDC 24vDC)
 Spare AC BB coil (24vAC, 110vAC or 230vAC)
 manual over ride facility and IP67 coil

ELECTRICAL DATA

	Voltage (-10% + 10%) Continuous duty 100%	Coil	Power Consumption		Insulation class	Enclosure	Electrical connections
			Inrush	Holding			
~	24 – 110 - 240 (50 or 60 Hz)	BB	10 Watts		H 180°C	IP 65 with connector	3 spades DIN 43650A DIN 40050
=	12 - 24 (DC)		18 Watts				

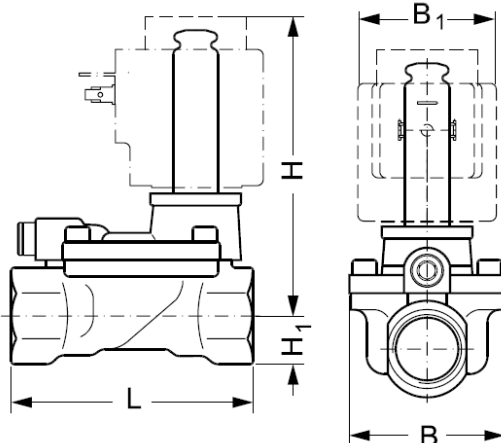
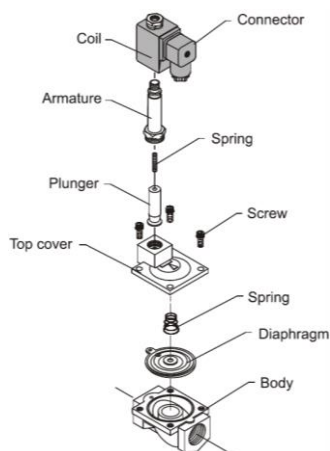
CONSTRUCTION

Body: Brass
 Tube and internal parts: Stainless steel
 Seals and gaskets: EPDM WRAS Approved
 Moulded coil: ABS plastic

REPAIR KIT

EPDM Diaphragm Seal	EV220E + orifice
Coil	BB + voltage

OVERALL DIMENSIONS



Port BSP	L mm	B mm	BB	H mm	H1	Kg
1/2	80	52	46	99	15	0.7
3/4	90	58	46	103	18	0.9
1	109	70	46	113	22	1.3
1 1/4	120	82	46	120	27	2
1 1/2	130	95	46	129	32	3
2	162	113	46	135	37	4.8