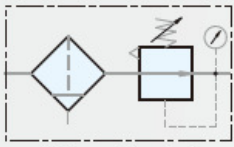


Symbol



Filter Regulator

Features

- * Remove water and particle effectively.
- * 40 μ m and 5 μ m filter element are easily interchangeable and replaceable.
- * Accurate and easy pressure setting.



Patent number in Taiwan : 684011
 Patent number in China : ZL200420019530. 2
 Patent category : Pressure regulating constructions

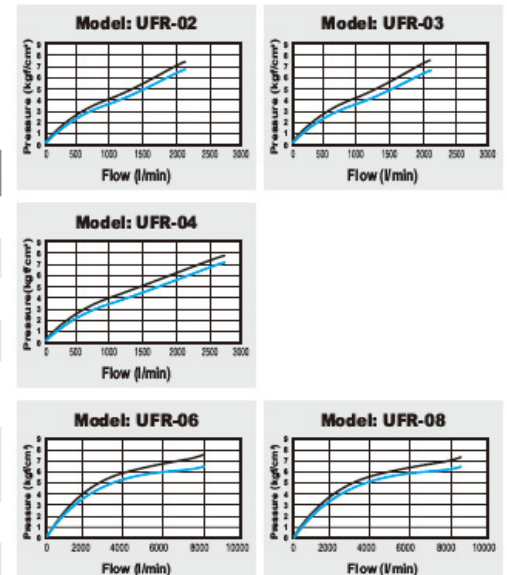
How to order

| | | | | | | |
|------------------|---|-----------|----------|-----------------|-----------------------|------------------------------|
| UFR | - | 02 | N | C | H | A |
| Filter Regulator | | Port size | Thread | Filtration | Drain | Bowl |
| | | 02 1/4" | Blank G | PE | Blank Semi-auto drain | Blank Standard bowl |
| | | 03 3/8" | N NPT | Blank 5 μ m | H Manual drain | A Anti-acid & alkali bowl |
| | | 04 1/2" | R Rc | C 40 μ m | D Auto drain | AL Aluminum bowl (1/4"~1/2") |
| | | 06 3/4" | | Sintered brass | | |
| | | 08 1" | | S 5 μ m | | |
| | | | | T 40 μ m | | |

Specifications

| Model | UFR-02 | UFR-03 | UFR-04 | UFR-06 | UFR-08 |
|--------------------------------|---|--------|--------|--------|--------|
| Port size | 1/4" | 3/8" | 1/2" | 3/4" | 1" |
| Fluid | Compressed air | | | | |
| Regulator construction | Piston | | | | |
| Body material | Aluminum die-cast | | | | |
| Bowl material | Polycarbonate (Standard), Anti-acid & alkali bowl (Option), Aluminum bowl (Option) | | | | |
| Filtration | PE: 5 μ m (Standard), 40 μ m (Option) Sintered brass (Option): 5 μ m, 40 μ m | | | | |
| Operating pressure range | 0.5 ~ 10 kgf/cm ² | | | | |
| Proof pressure (Standard bowl) | 15 kgf/cm ² | | | | |
| Max. flow rate l/min (ANR) | 2080 | 2100 | 2600 | 7940 | 8200 |
| Ambient temperature | -10 $^{\circ}$ C ~ 60 $^{\circ}$ C | | | | |
| Filter bowl capacity | 105cc | | | 210cc | |
| Standard drain | Semi-auto drain (Drains below 0.5kgf/cm ²) | | | | |
| Net weight | 930g (W/ Aluminum bowl, 1230g) | | | 1360g | |
| Accessories | Pressure gauge, Mounting bracket set, Plug | | | | |

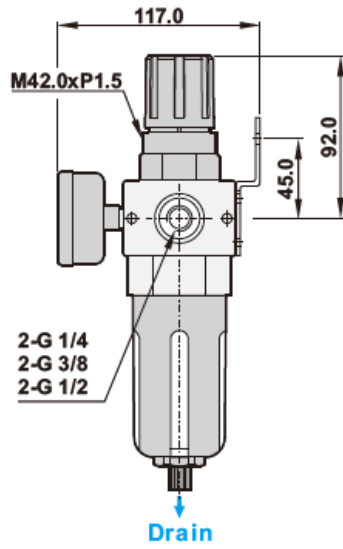
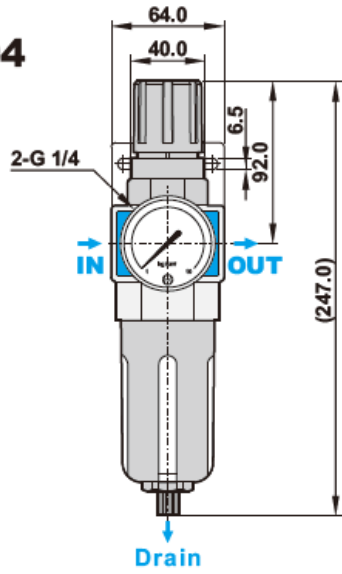
Flow chart



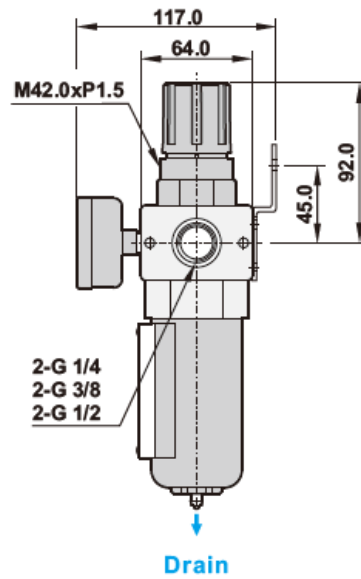
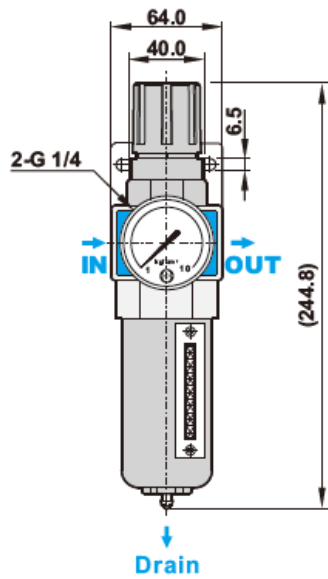
Note:
 X axis: Flow (l/min)
 Y axis: Pressure (kgf/cm²)
 Blue line (P0) = Outlet pressure
 Black line (P1) = Inlet pressure
 P1-P0 = Pressure range

— Dimensions

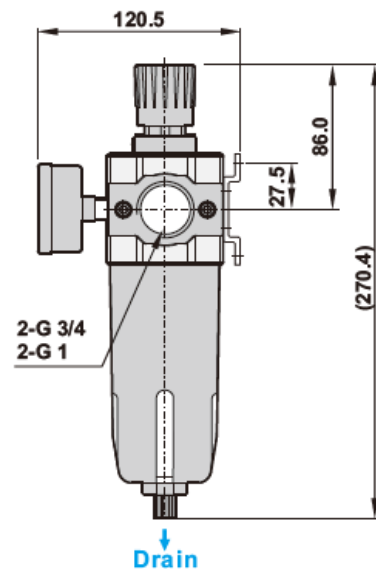
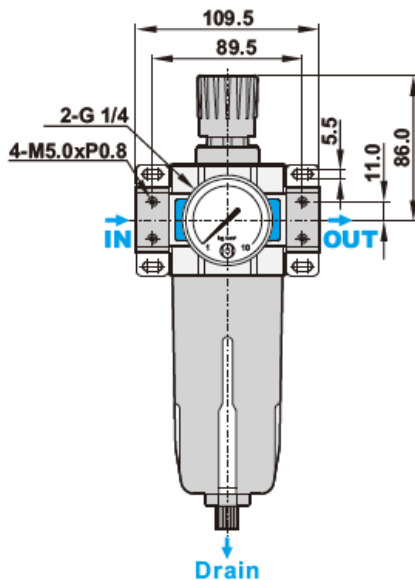
● UFR-02, 03, 04



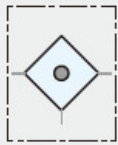
● UFR-02AL, 03AL, 04AL (Aluminum bowl)



● UFR-06, 08



Symbol



Filter

Features

- * UMF series effectively removes oil, water, carbon and particle.
- * With $0.01\mu\text{m}$ glass fiber filter element.
- * High quality control ensures stable running and long life.
- * Convenient to see air quality from pressure indicator, prevent the filter element from clogging.

Note: Please install air filter UF series upstream to extend life of filter element.



How to order

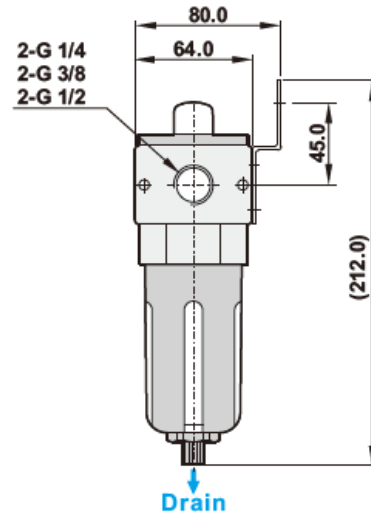
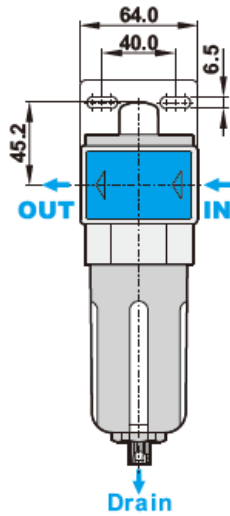
| UMF | | - 02 | | N | | K | | H | | B | | A | |
|-------------------|----|-----------|-------|--------|-------|---|-------|-----------------|-------|------------------|-------|---------------------------|--|
| Coalescing filter | | Port size | | Thread | | Filtration | | Drain | | Mounting bracket | | Bowl | |
| | 02 | 1/4" | Blank | G | Blank | $0.01\mu\text{m}$ | Blank | Semi-auto drain | Blank | W/O bracket | Blank | Standard bowl | |
| | 03 | 3/8" | N | NPT | L | $0.1\mu\text{m}$ (Only for 02,03,04) | H | Manual drain | B | W/I bracket | A | Anti-acid & alkali bowl | |
| | 04 | 1/2" | R | Rc | K | Activated charcoal filter element ($0.01\mu\text{m}$) | | | | | AL | Aluminum bowl (1/4"~1/2") | |
| | 06 | 3/4" | | | | | | | | | | | |
| | 08 | 1" | | | | | | | | | | | |

Specifications

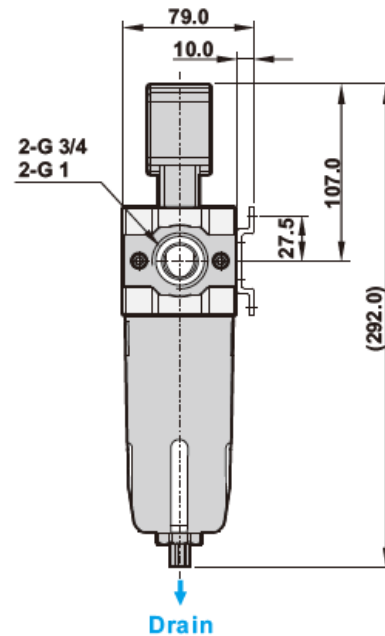
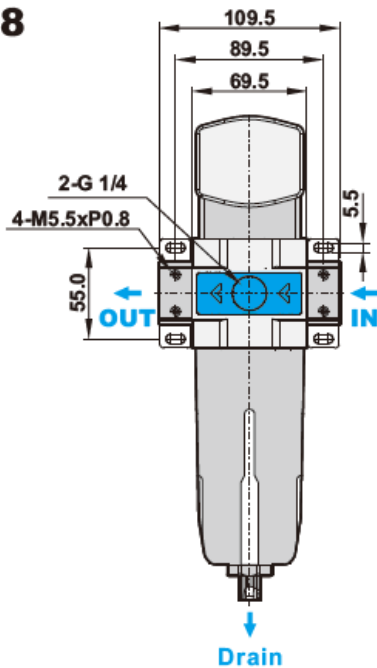
| Model | UMF-02 | UMF-03 | UMF-04 | UMF-06 | UMF-08 |
|---------------------------|--|--------|--------|--------|--------|
| Port size | 1/4" | 3/8" | 1/2" | 3/4" | 1" |
| Fluid | Compressed air | | | | |
| Body material | Aluminum die-cast | | | | |
| Bowl material | Polycarbonate (Standard), Anti-acid & alkali bowl (Option), Aluminum bowl (Option) | | | | |
| Filtration | $0.01\mu\text{m}$ (Standard) | | | | |
| Operating pressure range | 0.5 ~ 10 kgf/cm ² | | | | |
| Proof pressure | 15 kgf/cm ² | | | | |
| Max. flow rate l/min(ANR) | 2050 | 2100 | 2150 | 3800 | 3850 |
| Ambient temperature | 0°C ~ 60°C | | | | |
| Filter bowl capacity | 65cc | | | 115cc | |
| Standard drain | Semi-auto drain (Drains below 0.5kgf/cm ²) | | | | |
| Net weight | 600g | | | 1200g | |

Dimensions

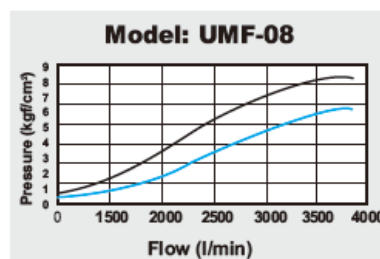
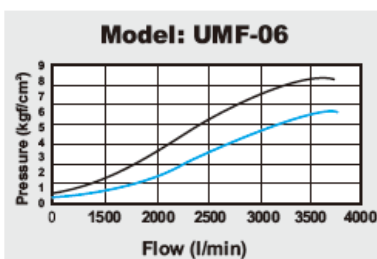
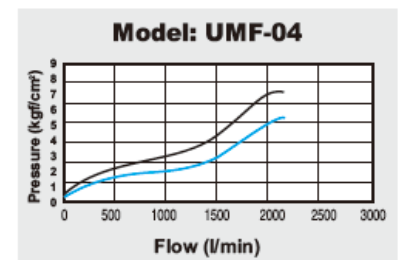
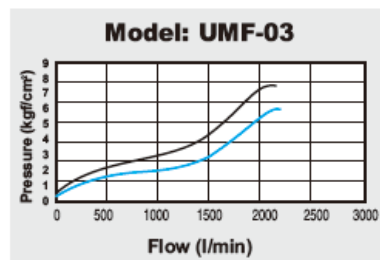
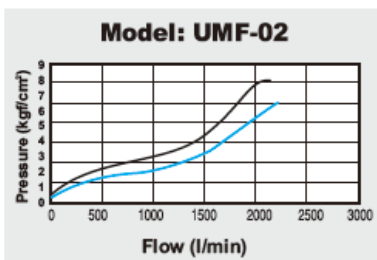
UMF-02, 03, 04



UMF-06, 08



Flow chart



Note:

X axis: Flow (l/min)

Y axis: Pressure (kgf/cm²)

Blue line (P0) = Outlet pressure

Black line (P1) = Inlet pressure

P1-P0 = Pressure range